

DATA SHEET

For a complete data sheet, please also download:

- The IC04 LOCMOS HE4000B Logic Family Specifications HEF, HEC
- The IC04 LOCMOS HE4000B Logic Package Outlines/Information HEF, HEC

HEF40244B

buffers

Octal buffers with 3-state outputs

Product specification
File under Integrated Circuits, IC04

January 1995

Octal buffers with 3-state outputs

HEF40244B
buffers

DESCRIPTION

The HEF40244B is an octal non-inverting buffer with 3-state outputs. It features output stages with high current output capability suitable for driving highly capacitive loads.

The 3-state outputs are controlled by the output enable inputs \overline{EO}_A and \overline{EO}_B . A HIGH on \overline{EO} causes the outputs to assume a high impedance OFF-state. The device also features hysteresis on all inputs to improve noise immunity.

Schmitt-trigger action in the inputs makes the circuit highly tolerant to slower input rise and fall times.

The HEF40244B is pin and functionally compatible with the TTL '244' device.

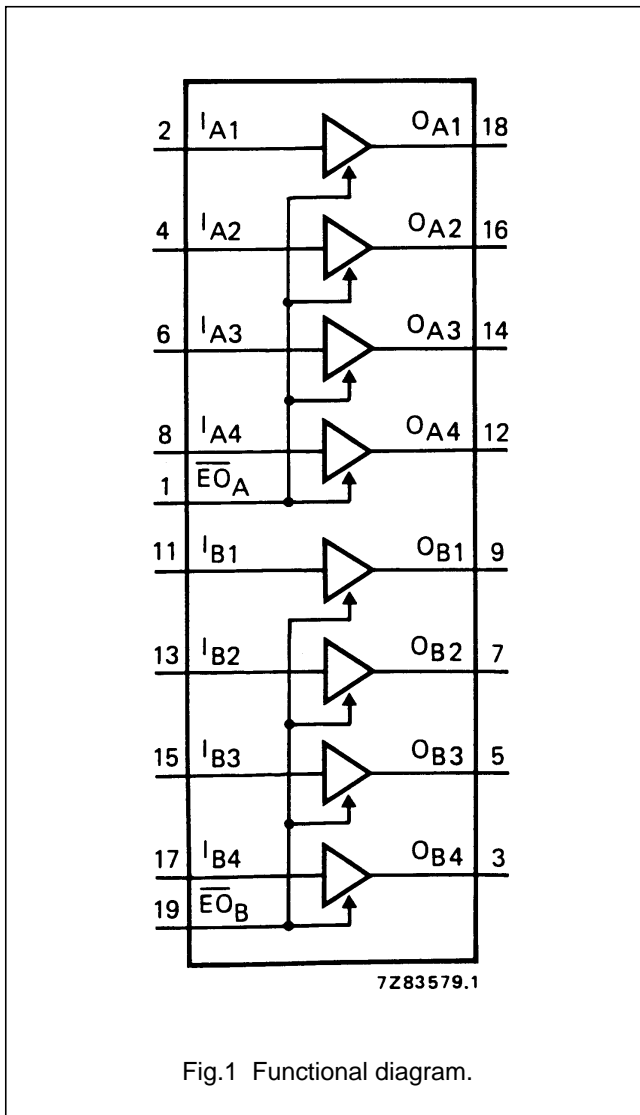


Fig.1 Functional diagram.

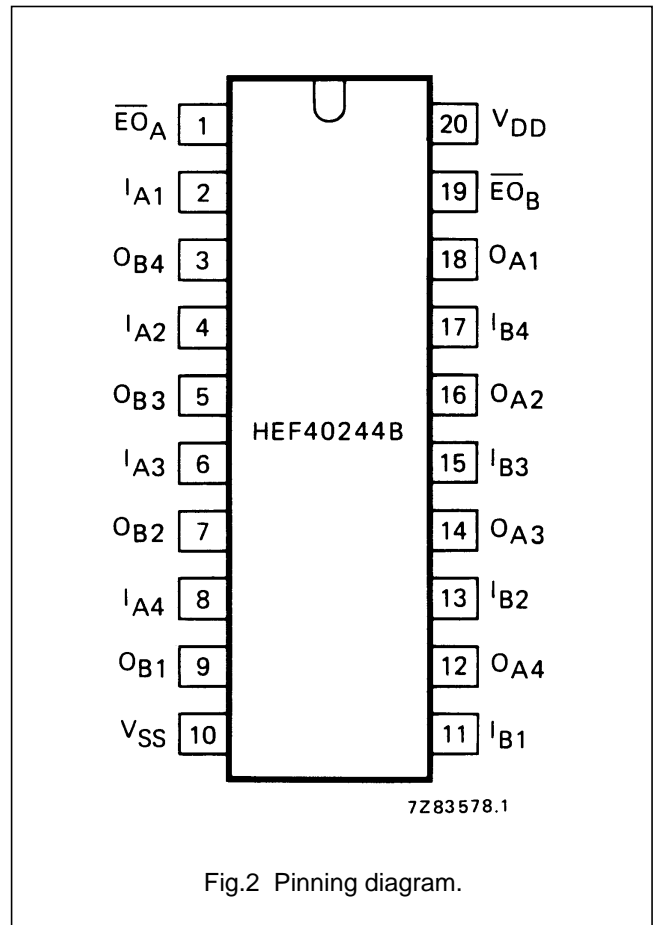


Fig.2 Pinning diagram.

- HEF40244BP(N): 20-lead DIL; plastic (SOT146-1)
- HEF40244BD(F): 20-lead DIL; ceramic (cerdip) (SOT152)
- HEF40244BT(D): 20-lead SO; plastic (SOT163-1)
- (): Package Designator North America

PINNING

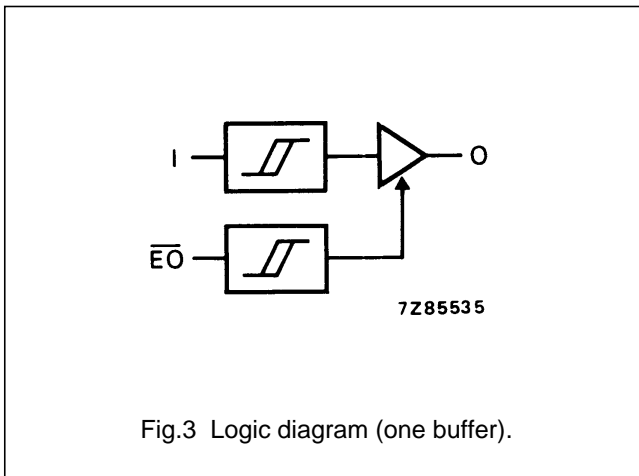
- I_{A1} to I_{A4} inputs
- I_{B1} to I_{B4} inputs
- O_{A1} to O_{A4} bus outputs
- O_{B1} to O_{B4} bus outputs
- \overline{EO}_A , \overline{EO}_B output enable inputs (active LOW)

FAMILY DATA, I_{DD} LIMITS category buffers

See Family Specifications

Octal buffers with 3-state outputs

HEF40244B
buffers



TRUTH TABLE

INPUTS		OUTPUT
I _n	\overline{EO}	O _n
H	L	H
L	L	L
X	H	Z

Notes

- H = HIGH state (the more positive voltage)
L = LOW state (the less positive voltage)
X = state is immaterial
Z = high impedance off state

RATINGS

Limiting values in accordance with the Absolute Maximum System (IEC 134).

See Family Specifications, except for:

D.C. current into any input	$\pm I_i$	max.	10 mA
D.C. source or sink current into any output	$\pm I_o$	max.	25 mA
D.C. current into the supply terminals	$\pm I$	max.	100 mA

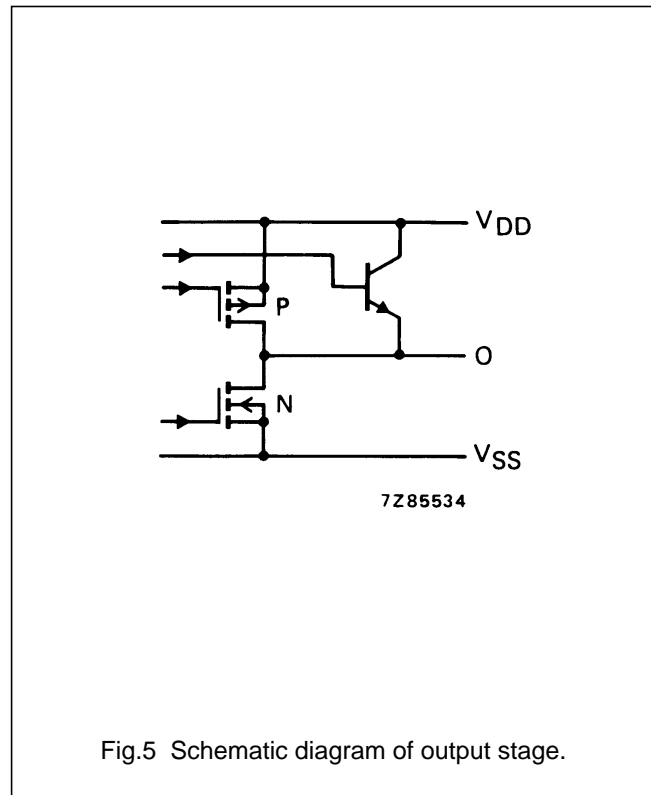
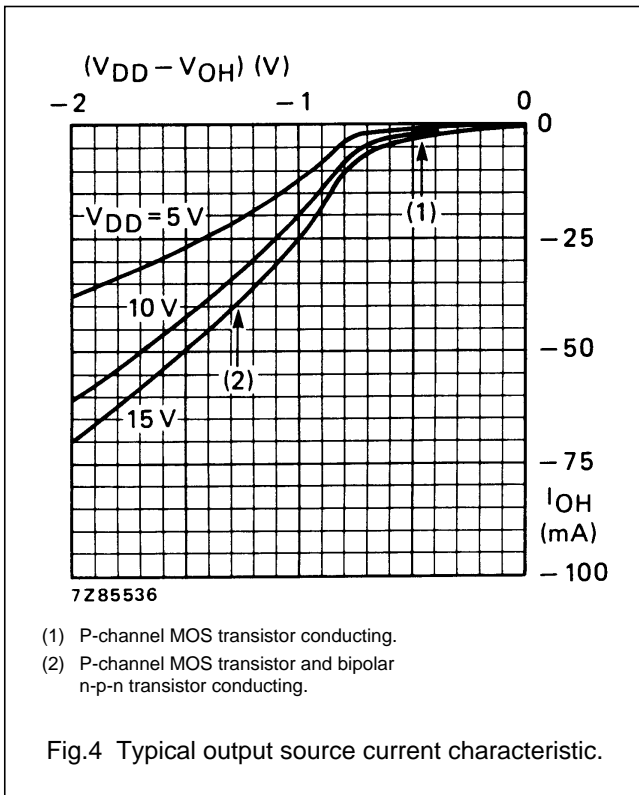
DC CHARACTERISTICS

V_{SS} = 0 V

	V _{DD} V	V _{OH} V	V _{OL} V	SYMBOL	T _{amb} (°C)						
					-40		+25		+85		
					MIN.	TYP.	MIN.	TYP.	MIN.	TYP.	
Output current HIGH	5	4,6		-I _{OH}	0,75		0,6	1,2	0,45		mA
	10	9,5			1,85		1,5	3,0	1,1		
	15	13,5			14,5		15	50	15,5		
Output current HIGH	5	3,6		-I _{OH}	9,3		10	24	10,7		mA
	10	8,4			14,4		15	46	15,0		
	15	13,2			19,5		20	62	19,8		
Output current LOW	5		0,4	I _{OL}	2,9		2,3	5,4	1,75		mA
	10		0,5		9,5		7,6	17	5,50		
	15		1,5		30,0		25	45	19,0		
Hysteresis voltage (any input)	5			V _H				220			mV
	10							250			
	15							320			

Octal buffers with 3-state outputs

HEF40244B
buffers



AC CHARACTERISTICS

$V_{SS} = 0\text{ V}$; $T_{amb} = 25\text{ }^\circ\text{C}$; input transition times $\leq 20\text{ ns}$

ALL BUFFERS SWITCHING	V_{DD} V	TYPICAL FORMULA FOR P (μW)	
Dynamic power dissipation per package (P)	5 10 15	$4\ 250\ f_i + \sum (f_o C_L) \times V_{DD}^2$ $17\ 000\ f_i + \sum (f_o C_L) \times V_{DD}^2$ $46\ 000\ f_i + \sum (f_o C_L) \times V_{DD}^2$	where f_i = input freq. (MHz) f_o = output freq. (MHz) C_L = load capacitance (pF) $\sum (f_o C_L)$ = sum of outputs V_{DD} = supply voltage (V)

Octal buffers with 3-state outputs

HEF40244B
buffers

AC CHARACTERISTICS

 $V_{SS} = 0$ V; $T_{amb} = 25$ °C; $C_L = 50$ pF; input transition times ≤ 20 ns

	V_{DD} V	SYMBOL	MIN.	TYP.	MAX.	TYPICAL EXTRAPOLATION FORMULA		
Propagation delays $I_{An/Bn} \rightarrow O_{An/Bn}$ HIGH to LOW	5	t_{PHL}		95	190	ns	83 ns + (0,24 ns/pF) C_L	
	10		40	80	ns	35 ns + (0,10 ns/pF) C_L		
	15		30	60	ns	26 ns + (0,07 ns/pF) C_L		
	$I_{An/Bn} \rightarrow O_{An/Bn}$ LOW to HIGH	5	t_{PLH}		85	170	ns	82 ns + (0,06 ns/pF) C_L
		10		40	80	ns	38 ns + (0,03 ns/pF) C_L	
		15		30	60	ns	29 ns + (0,02 ns/pF) C_L	
Output transition times HIGH to LOW	5	t_{THL}		40	80	ns	see Fig.6	
	10		20	40	ns			
	15		15	30	ns			
	LOW to HIGH	5	t_{TLH}		30	60		ns
		10		20	40	ns		
		15		15	30	ns		
3-state propagation delays Output disable times $\overline{EO} \rightarrow O_{An/Bn}$ HIGH	5	t_{PHZ}		70	140	ns		
	10		35	70	ns			
	15		30	60	ns			
	LOW	5	t_{PLZ}		75	150	ns	
		10		40	80	ns		
		15		30	60	ns		
Output enable times $\overline{EO} \rightarrow O_{An/Bn}$ HIGH	5	t_{PZH}		80	160	ns		
	10		35	70	ns			
	15		30	60	ns			
	LOW	5	t_{PZL}		90	180	ns	
		10		40	80	ns		
		15		30	60	ns		

Octal buffers with 3-state outputs

HEF40244B
buffers

