

## DESCRIPTION

PT2256 is an electronic volume controller IC utilizing CMOS Technology specially designed for use on audio equipment. It has 2 built-in channels making it ideally suitable for mono and stereo sound applications. PT2256 provides the Loudness Function, a wide frequency response range and a very low total harmonic distortion, thereby guaranteeing a highly effective and reliable performance. It is housed in 16-pin DIP or SO package and is functionally compatible with TC9235P. Pin assignments and application circuit are optimized for low cost advantages and easy PCB Layout.

## FEATURES

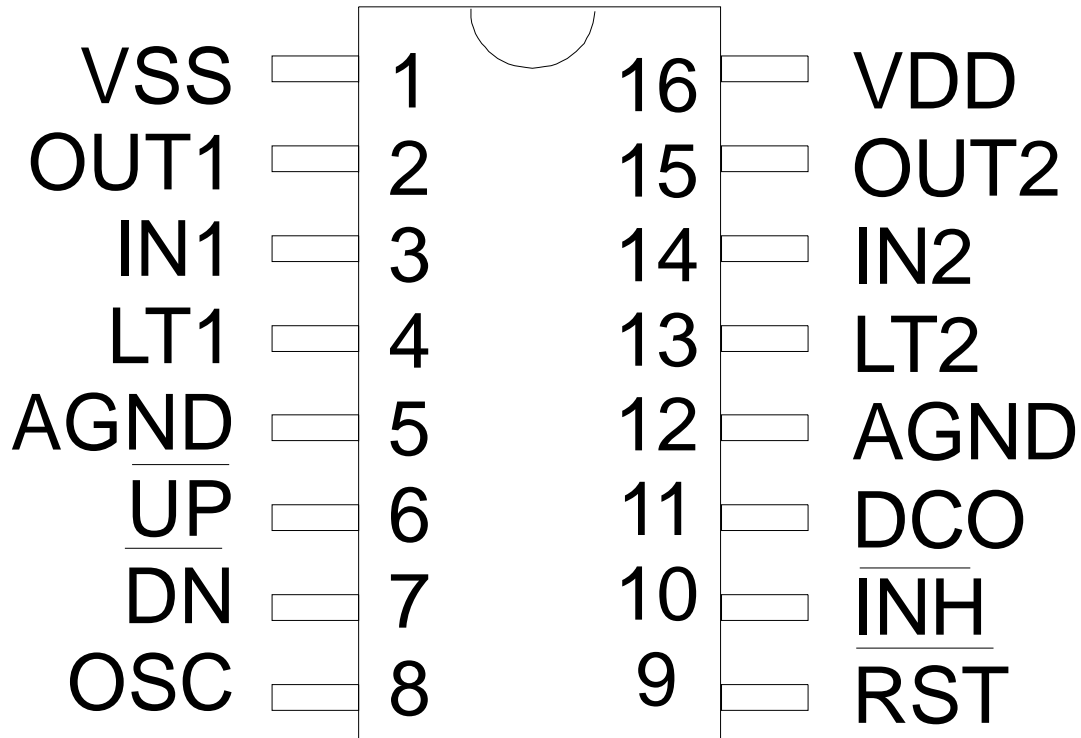
- CMOS Technology
- Low Power Consumption
- Least External Components
- 2 Channels in the same chip
- 0 dB to -78 dB Attenuation can be controlled by UP and Down Pin.
- 20dB Tap for Loudness Circuit
- Built-in DC Output Circuit (8 levels) for Volume Level Metering
- Wide Frequency Response Range
- Low Total Harmonic Distortion
- Available in 16 pins DIP or SO Package

## APPLICATION

- Audio Equipment Volume Control

**Electronic Volume Controller IC** **PT2256**

**PIN CONFIGURATION**



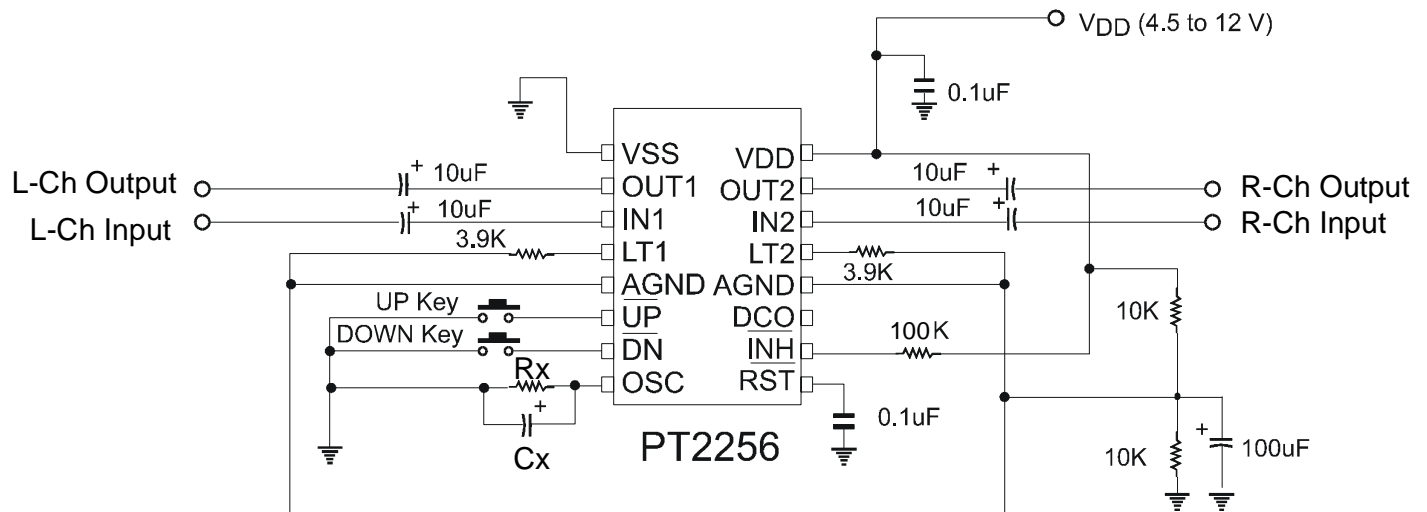
**PT2256**

**ORDER INFORMATION**

Order Part Number	Package Type	Top Code
PT2256	16 Pins, DIP Package (300mil)	PT2256
PT2256-S	16 Pins, SO Package (300mil)	PT2256-S

## APPLICATION CIRCUIT

### SINGLE POWER SUPPLY (NO LOUDNESS AND NO BACKUP CIRCUIT)



Note: Modifying the values of Rx and Cx affects the Oscillator Frequency of the IC. If the Fosc value is big, then the volume control change is fast. Likewise, if the Fosc value is small, the volume control change is slow. It is suggested that Rx= 33K, Cx = 2.2μF. The table for the Rx, Cx and Fosc values are given below.

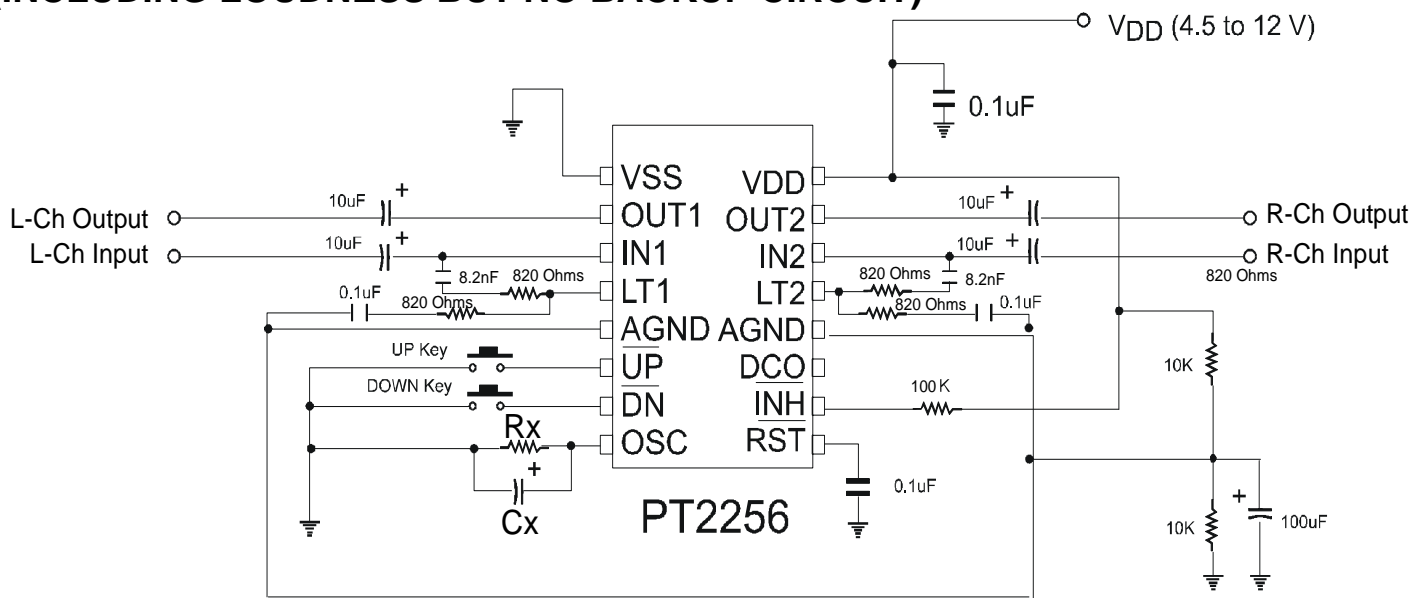
Rx	Cx	Fosc	Rx	Cx	Fosc
33K	1.0μF	34.1Hz	33K	1.0μF	34.1Hz
33K	2.2μF	17.8Hz	51K	1.0μF	22.7Hz
33K	10μF	3.4Hz	100K	1.0μF	11.8Hz

**Electronic Volume Controller IC**

**PT2256**

**APPLICATION CIRCUIT**

**(INCLUDING LOUDNESS BUT NO BACKUP CIRCUIT)**



Note: Modifying the values of Rx and Cx affects the Oscillator Frequency of the IC. If the Fosc value is big, then the volume control change is fast. Likewise, if the Fosc value is small, the volume control change is slow. It is suggested that Rx= 33K, Cx = 2.2μF. The table for the Rx, Cx and Fosc values are given below.

Rx	Cx	Fosc	Rx	Cx	Fosc
33K	1.0μF	34.1Hz	33K	1.0μF	34.1Hz
33K	2.2μF	17.8Hz	51K	1.0μF	22.7Hz
33K	10μF	3.4Hz	100K	1.0μF	11.8Hz