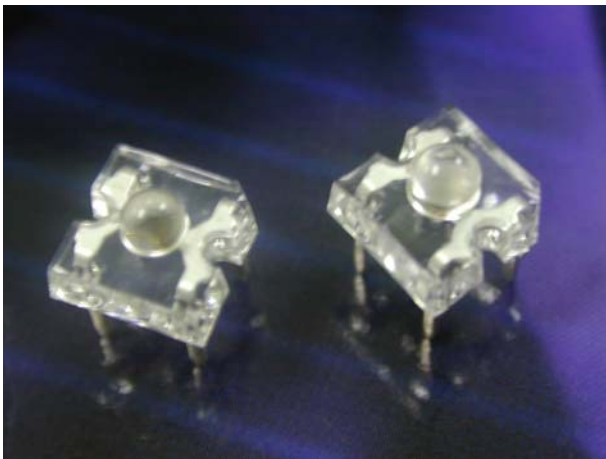


Part Number: L-7677C2SYC-H



## Technical Data

### Features:

- \*High Luminance output.
- \*Design for High Current Operation.
- \*Uniform Color.
- \*Low Power Consumption.
- \*Low Thermal Resistance.
- \*Low Profile.
- \*Packaged in tubes for use with automatic insertion equipment.
- \*RoHS Compliant.

### Benefits:

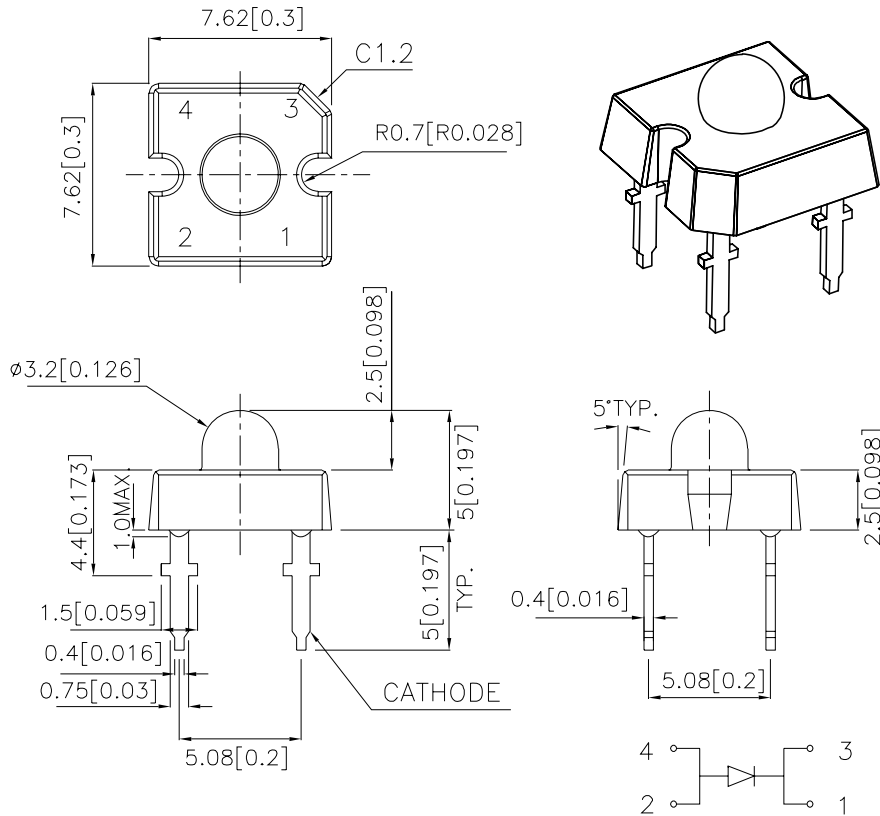
- \*Outstanding Material Efficiency.
- \*Electricity savings.
- \*Maintenance savings.
- \*Reliable and Rugged.

### Typical Applications:

- \*Automotive Exterior Lighting.
- \*Electronic Signs and Signals.
- \*Specialty Lighting.



## Outline Drawings



**Notes:**

1. All dimensions are in millimeters (inches).
2. Tolerance is  $\pm 0.25(0.01)$  unless otherwise noted.
3. Lead spacing is measured where the leads emerge from the package.
4. Specifications are subject to change without notice.

### Absolute Maximum Ratings at TA=25°C

PARAMETER	SY-H	UNITS
DC Forward Current	70	mA
Power dissipation	245	mW
Reverse Voltage	5	V
Operating Temperature	-40 To +85	°C
Storage Temperature	-55 To +85	°C
Lead Solder Temperature <sup>[1]</sup>	260°C For 5 Seconds	

1. 1.5mm[0.06inch] below seating plane.

## Selection Guide

Part No.	LED COLOR	Iv(cd) <sup>[1]</sup> @70mA		Viewing Angle <sup>[2]</sup>
		Min.	Typ.	2θ1/2 Typ.
L-7677C2SYC-H	TS InGaAlP YELLOW	1.5	5	30°

Notes:

- 1.Luminous intensity is measured with an integrating sphere after the device has stabilized:Luminous Intensity/ Luminous Flux: +/-15%.
- 2.θ1/2 is the angle from optical centerline where the luminous intensity is 1/2 the optical centerline value.

## Optical Characteristics at TA=25°C

IF=70mA Rθj-a=200°C/W

DEVICE TYPE	PEAK WAVELENGTH λPEAK (nm) TYP.	DOMINANT <sup>[1]</sup> WAVELENGTH λDOM (nm) TYP.	SPECTRAL LINE WAVELENGTH Δλ1/2(nm) TYP.
SY-H	590	589	20

Note:

- 1.The dominant wavelength is derived from the CIE Chromaticity Diagram and represents the perceived color of the device; Wavelength: +/-1nm.

## Electrical Characteristics at TA=25°C

DEVICE TYPE	FORWARD VOLTAGE <sup>[1]</sup> VF(VOLTS) @ IF=70mA			REVERSE CURRENT IR (uA) @ VR=5V	CAPACITANCE C (pF) @ VF=0V F=1MHZ	THERMAL RESISTANCE Rθj-pin °C/W
	MIN.	TYP.	MAX.	MAX.	TYP.	TYP.
SY-H	2.6	2.9	3.5	10	45	125

Note:

1. Forward Voltage: +/-0.1V.

## Figures

