



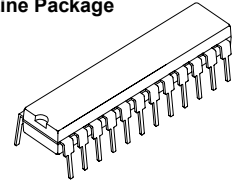
# 16-bit Constant Current LED Sink Driver

## Features

- 16 constant-current output channels
- Constant output current invariant to load voltage change
- Excellent output current accuracy:  
between channels:  $<\pm 3\%$  (max.), and  
between ICs:  $<\pm 6\%$  (max.)
- Output current adjusted through an external resistor
- Constant output current range: 5-90 mA
- Fast response of output current,  $\overline{OE}$  (min.): 200 ns
- 25MHz clock frequency
- Schmitt trigger input
- 5V supply voltage
- Optional for "Pb-free & Green" Package

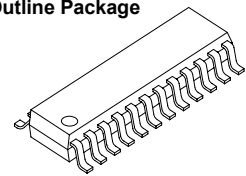
Current Accuracy		Conditions
Between Channels	Between ICs	
$< \pm 3\%$	$< \pm 6\%$	$I_{OUT} = 10 \sim 60 \text{ mA}$

### Dual In-Line Package



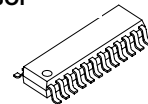
- CN: P-DIP24-300-2.54
- GN: P-DIP24-300-2.54
- CNS: SP-DIP24-300-1.78
- GNS: SP-DIP24-300-1.78

### Small Outline Package



- CD: SOP24-300-1.27
- GD: SOP24-300-1.27
- CF: SOP24-300-1.00
- GF: SOP24-300-1.00

### Shrink SOP



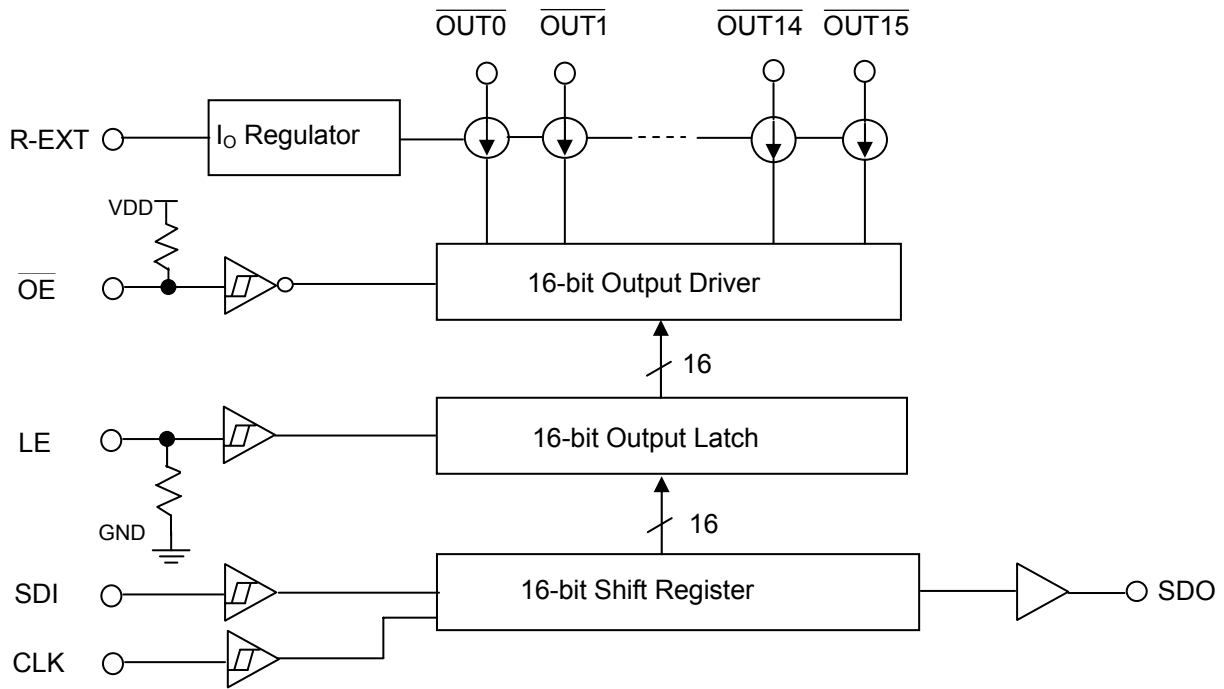
- CP\CPA: SSOP24-150-0.64
- GP\GPA: SSOP24-150-0.64

## Product Description

MBI5026 is designed for LED displays. As an enhancement of its predecessor, MBI5016, MBI5026 exploits PrecisionDrive™ technology to enhance its output characteristics. MBI5026 contains a serial buffer and data latches which convert serial input data into parallel output format. At MBI5026 output stage, sixteen regulated current ports are designed to provide uniform and constant current sinks for driving LEDs within a large range of  $V_F$  variations.

MBI5026 provides users with great flexibility and device performance while using MBI5026 in their system design for LED display applications, e.g. LED panels. Users may adjust the output current from 5 mA to 90 mA through an external resistor,  $R_{ext}$ , which gives users flexibility in controlling the light intensity of LEDs. MBI5026 guarantees to endure maximum 17V at the output port. The high clock frequency, 25 MHz, also satisfies the system requirements of high volume data transmission.

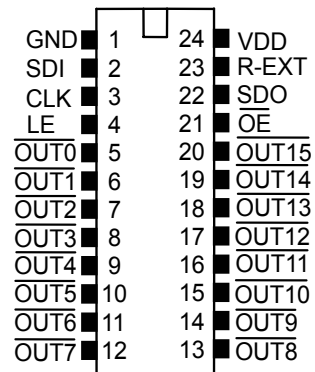
**Block Diagram**



**Terminal Description**

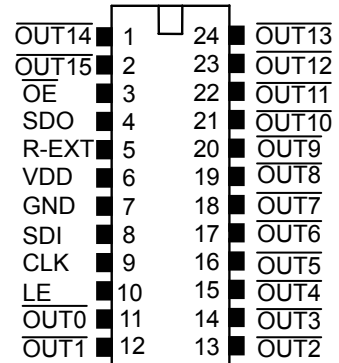
Pin Name	Function
GND	Ground terminal for control logic and current sink
SDI	Serial-data input to the shift register
CLK	Clock input terminal for data shift on rising edge
LE	Data strobe input terminal Serial data is transferred to the output latch when LE is high. The data is latched when LE goes low.
$\overline{\text{OUT0}} \sim \overline{\text{OUT15}}$	Constant current output terminals
$\overline{\text{OE}}$	Output enable terminal When $\overline{\text{OE}}$ (active) low, the output drivers are enabled; when $\overline{\text{OE}}$ high, all output drivers are turned OFF (blanked).
SDO	Serial-data output to the following SDI of next driver IC
R-EXT	Input terminal used to connect an external resistor for setting up output current for all output channels
VDD	5V supply voltage terminal

**Pin Configuration**



**MBI5026CNC\NCS\CD\CF\CP\**

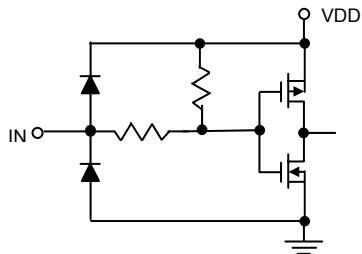
**GN\GNS\GD\GF\GP**



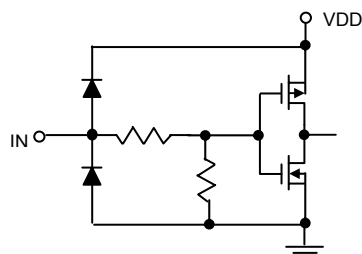
**MBI5026CPA\GPA**

**Equivalent Circuits of Inputs and Outputs**

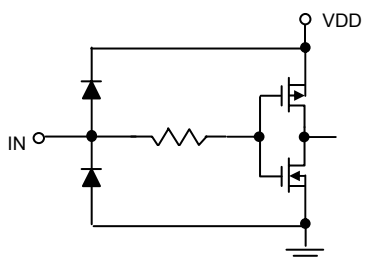
**$\overline{OE}$  terminal**



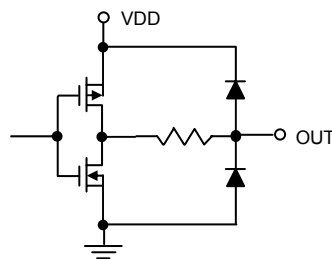
**LE terminal**



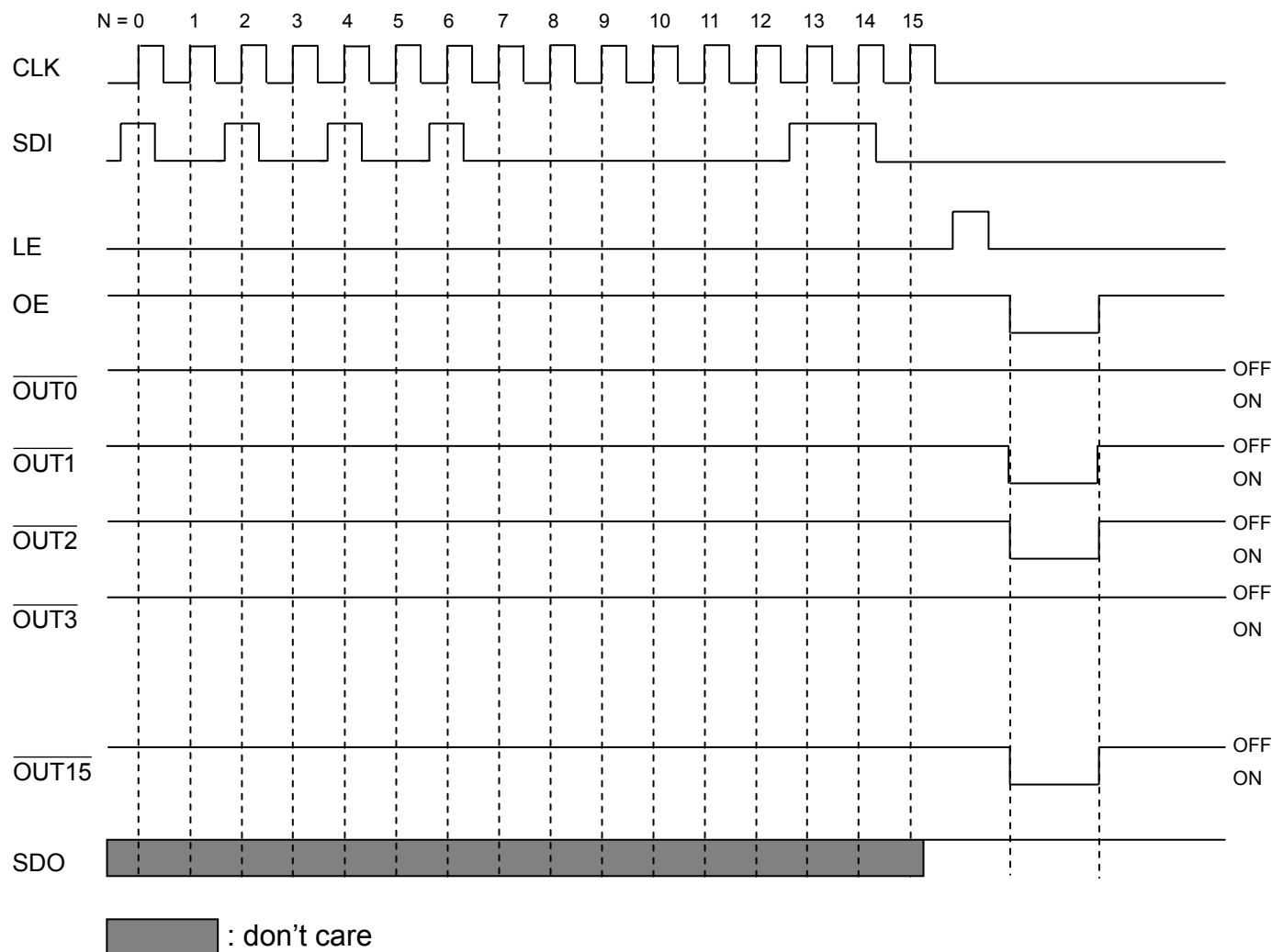
**CLK, SDI terminal**



**SDO terminal**



**Timing Diagram**



**Truth Table**

CLK	LE	$\overline{\text{OE}}$	SDI	$\overline{\text{OUT}}_0 \dots \overline{\text{OUT}}_7 \dots \overline{\text{OUT}}_{15}$	SDO
$\uparrow$	H	L	$D_n$	$\overline{D}_n \dots \overline{D}_{n-7} \dots \overline{D}_{n-15}$	$D_{n-15}$
$\uparrow$	L	L	$D_{n+1}$	No Change	$D_{n-14}$
$\uparrow$	H	L	$D_{n+2}$	$\overline{D}_{n+2} \dots \overline{D}_{n-5} \dots \overline{D}_{n-13}$	$D_{n-13}$
$\downarrow$	X	L	$D_{n+3}$	$\overline{D}_{n+2} \dots \overline{D}_{n-5} \dots \overline{D}_{n-13}$	$D_{n-13}$
$\downarrow$	X	H	$D_{n+3}$	Off	$D_{n-13}$

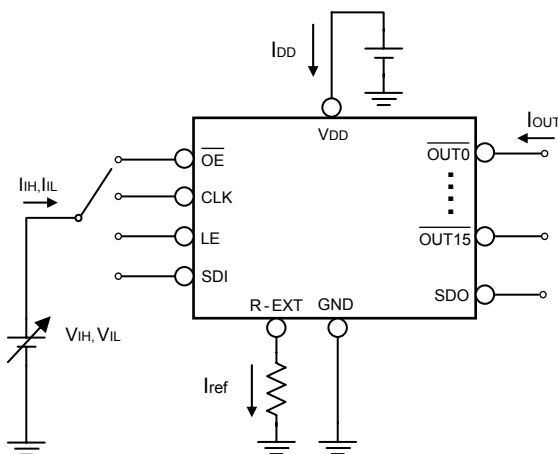
**Maximum Ratings**

Characteristic			Symbol	Rating		Unit
Supply Voltage			$V_{DD}$	0~7.0		V
Input Voltage			$V_{IN}$	-0.4~ $V_{DD} + 0.4$		V
Output Current			$I_{OUT}$	+90		mA
Output Voltage			$V_{DS}$	-0.5~+17.0		V
Clock Frequency			$F_{CLK}$	25		MHz
GND Terminal Current			$I_{GND}$	1440		mA
Power Dissipation (On PCB, $T_a=25^{\circ}C$ )	CN	GN	$P_D$	1.80	2.00	W
	CNS	GNS		1.50	1.61	
	CD	GD		2.01	2.19	
	CF	GF		1.69	1.91	
	CP	GP		1.38	1.46	
	CPA	GPA		1.38	1.46	
Thermal Resistance (On PCB, $T_a=25^{\circ}C$ )	CN	GN	$R_{th(j-a)}$	55.52	49.9	$^{\circ}C/W$
	CNS	GNS		66.74	62.28	
	CD	GD		49.81	45.69	
	CF	GF		59.01	52.38	
	CP	GP		72.43	68.48	
	CPA	GPA		72.43	68.48	
Operating Temperature			$T_{opr}$	-40~+85		$^{\circ}C$
Storage Temperature			$T_{stg}$	-55~+150		$^{\circ}C$

**Electrical Characteristics**

Characteristic		Symbol	Condition	Min.	Typ.	Max.	Unit	
Supply Voltage		$V_{DD}$	-	4.5	5.0	5.5	V	
Output Voltage		$V_{DS}$	$\overline{OUT0} \sim \overline{OUT15}$	-	-	17.0	V	
Output Current		$I_{OUT}$	DC Test Circuit	5	-	90	mA	
		$I_{OH}$	SDO	-	-	-1.0	mA	
		$I_{OL}$	SDO	-	-	1.0	mA	
Input Voltage	“H” level	$V_{IH}$	$T_a = -40 \sim 85^\circ C$	$0.8 \cdot V_{DD}$	-	$V_{DD}$	V	
	“L” level	$V_{IL}$	$T_a = -40 \sim 85^\circ C$	GND	-	$0.3 \cdot V_{DD}$	V	
Output Leakage Current		$I_{OH}$	$V_{OH} = 17.0V$	-	-	0.5	$\mu A$	
Output Voltage	SDO	$V_{OL}$	$I_{OL} = +1.0mA$	-	-	0.4	V	
		$V_{OH}$	$I_{OH} = -1.0mA$	4.6	-	-	V	
Output Current 1		$I_{OUT1}$	$V_{DS} = 0.6V$	$R_{ext} = 720 \Omega$	-	26.25	-	mA
Current Skew		$dI_{OUT1}$	$I_{OL} = 26.25mA$ $V_{DS} = 0.6V$	$R_{ext} = 720 \Omega$	-	$\pm 1$	$\pm 3$	%
Output Current 2		$I_{OUT2}$	$V_{DS} = 0.8V$	$R_{ext} = 360 \Omega$	-	52.5	-	mA
Current Skew		$dI_{OUT2}$	$I_{OL} = 52.5mA$ $V_{DS} = 0.8V$	$R_{ext} = 360 \Omega$	-	$\pm 1$	$\pm 3$	%
Output Current vs. Output Voltage Regulation		$\% / dV_{DS}$	$V_{DS}$ within 1.0V and 3.0V	-	$\pm 0.1$	-	$\% / V$	
Output Current vs. Supply Voltage Regulation		$\% / dV_{DD}$	$V_{DD}$ within 4.5V and 5.5V	-	$\pm 1$	-	$\% / V$	
Pull-up Resistor		$R_{IN(up)}$	$\overline{OE}$	250	500	800	K $\Omega$	
Pull-down Resistor		$R_{IN(down)}$	LE	250	500	800	K $\Omega$	
Supply Current	“OFF”	$I_{DD(off) 1}$	$R_{ext} = \text{Open}, \overline{OUT0} \sim \overline{OUT15} = \text{Off}$	-	6	6.8	mA	
		$I_{DD(off) 2}$	$R_{ext} = 720 \Omega, \overline{OUT0} \sim \overline{OUT15} = \text{Off}$	-	8.8	9.6		
		$I_{DD(off) 3}$	$R_{ext} = 360 \Omega, \overline{OUT0} \sim \overline{OUT15} = \text{Off}$	-	12.4	13.2		
	“ON”	$I_{DD(on) 1}$	$R_{ext} = 720 \Omega, \overline{OUT0} \sim \overline{OUT15} = \text{On}$	-	8.8	10.8		
		$I_{DD(on) 2}$	$R_{ext} = 360 \Omega, \overline{OUT0} \sim \overline{OUT15} = \text{On}$	-	12.3	15.3		

**Test Circuit for Electrical Characteristics**

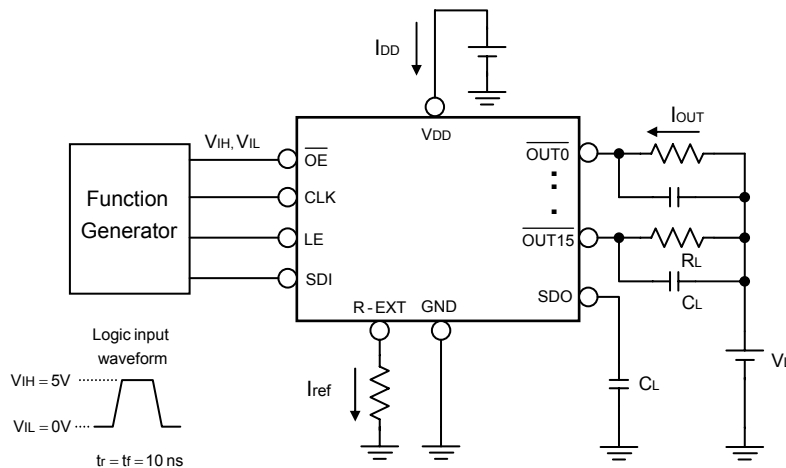


**Switching Characteristics**

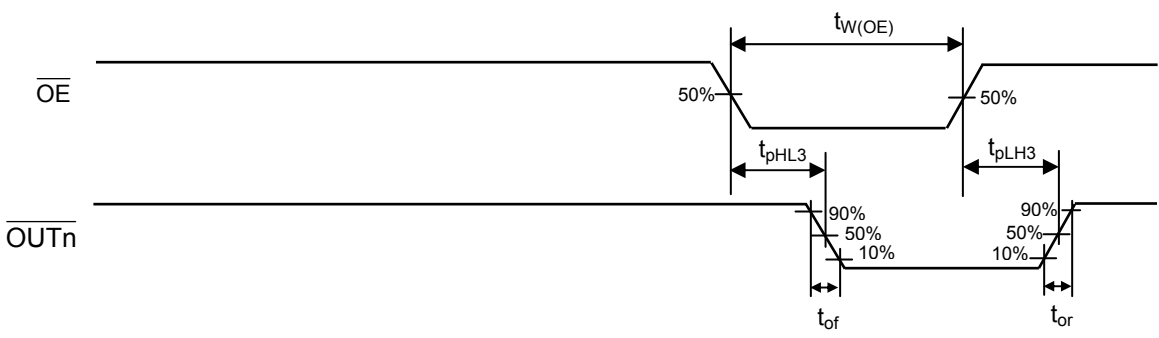
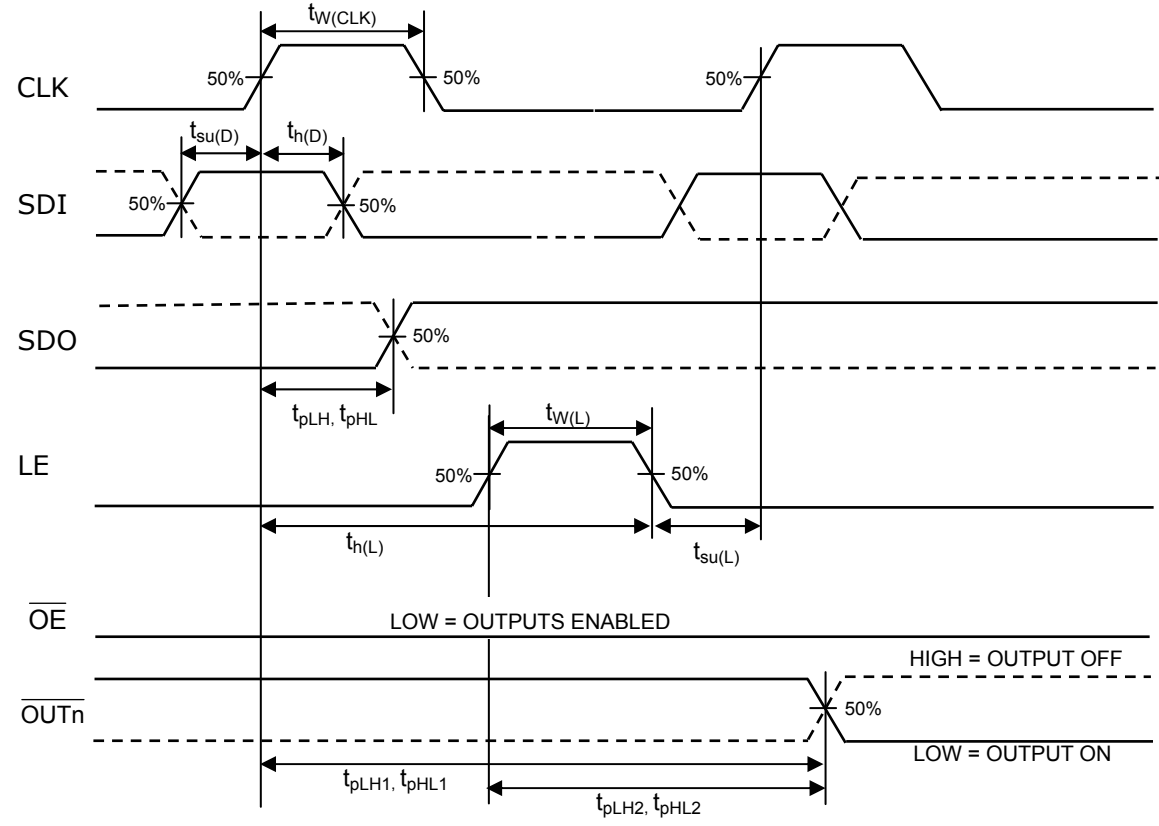
Characteristic		Symbol	Condition	Min.	Typ.	Max.	Unit
Propagation Delay Time ("L" to "H")	CLK - $\overline{\text{OUTn}}$	$t_{pLH1}$	$V_{DD}=5.0\text{ V}$ $V_{DS}=0.8\text{ V}$ $V_{IH}=V_{DD}$ $V_{IL}=\text{GND}$ $R_{ext}=300\ \Omega$ $V_L=4.0\text{ V}$ $R_L=52\ \Omega$ $C_L=10\text{ pF}$	-	100	150	ns
	LE - $\overline{\text{OUTn}}$	$t_{pLH2}$		-	100	150	ns
	$\overline{\text{OE}}$ - $\overline{\text{OUTn}}$	$t_{pLH3}$		-	50	150	ns
	CLK - SDO	$t_{pLH}$		15	20	-	ns
Propagation Delay Time ("H" to "L")	CLK - $\overline{\text{OUTn}}$	$t_{pHL1}$		-	50	100	ns
	LE - $\overline{\text{OUTn}}$	$t_{pHL2}$		-	50	100	ns
	$\overline{\text{OE}}$ - $\overline{\text{OUTn}}$	$t_{pHL3}$		-	20	100	ns
	CLK - SDO	$t_{pHL}$		15	20	-	ns
Pulse Width	CLK	$t_{w(\text{CLK})}$		20	-	-	ns
	LE	$t_{w(\text{L})}$		20	-	-	ns
	$\overline{\text{OE}}$	$t_{w(\text{OE})}$		200	-	-	ns
Hold Time for LE		$t_{h(\text{L})}$		5	-	-	ns
Setup Time for LE		$t_{su(\text{L})}$		5	-	-	ns
Hold Time for SDI		$t_{h(\text{D})}$		10	-	-	ns
Setup Time for SDI		$t_{su(\text{D})}$		5	-	-	ns
Clock Frequency		$F_{\text{CLK}}$		Cascade Operation		-	-
Maximum CLK Rise Time		$t_r^{**}$	-	-	500	ns	
Maximum CLK Fall Time		$t_f^{**}$	-	-	500	ns	
Output Rise Time of Vout (turn off)		$t_{or}$	-	70	200	ns	
Output Fall Time of Vout (turn on)		$t_{of}$	-	40	120	ns	

\*\*If the devices are connected in cascade and  $t_r$  or  $t_f$  is large, it may be critical to achieve the timing required for data transfer between two cascaded devices.

**Test Circuit for Switching Characteristics**



Timing Waveform



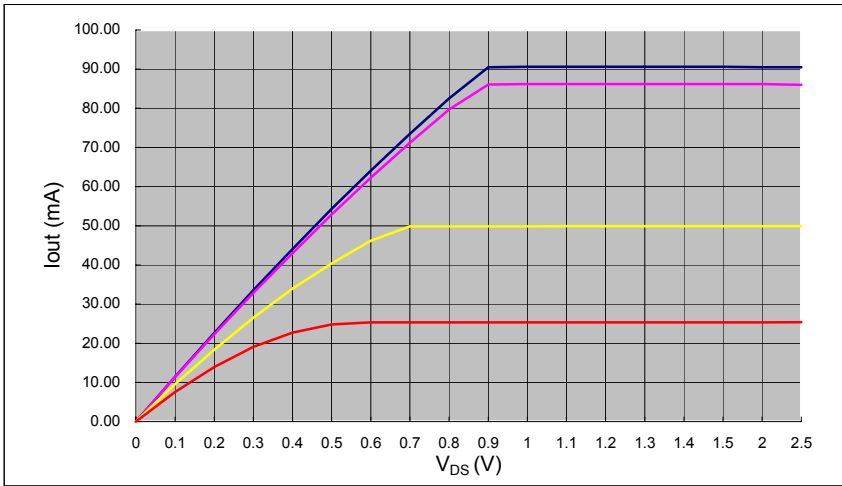


## Application Information

### Constant Current

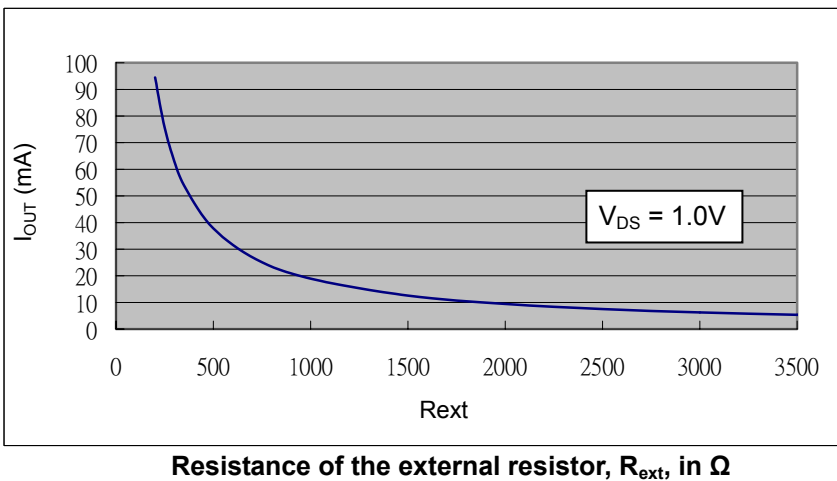
In LED display application, MBI5026 provides nearly no variations in current from channel to channel and from IC to IC. This can be achieved by:

- 1) The maximum current variation between channels is less than  $\pm 3\%$ , and that between ICs is less than  $\pm 6\%$ .
- 2) In addition, the current characteristic of output stage is flat and users can refer to the figure as shown below. The output current can be kept constant regardless of the variations of LED forward voltages ( $V_F$ ). This performs as a perfection of load regulation.



### Adjusting Output Current

The output current of each channel ( $I_{OUT}$ ) is set by an external resistor,  $R_{ext}$ . The relationship between  $I_{out}$  and  $R_{ext}$  is shown in the following figure.



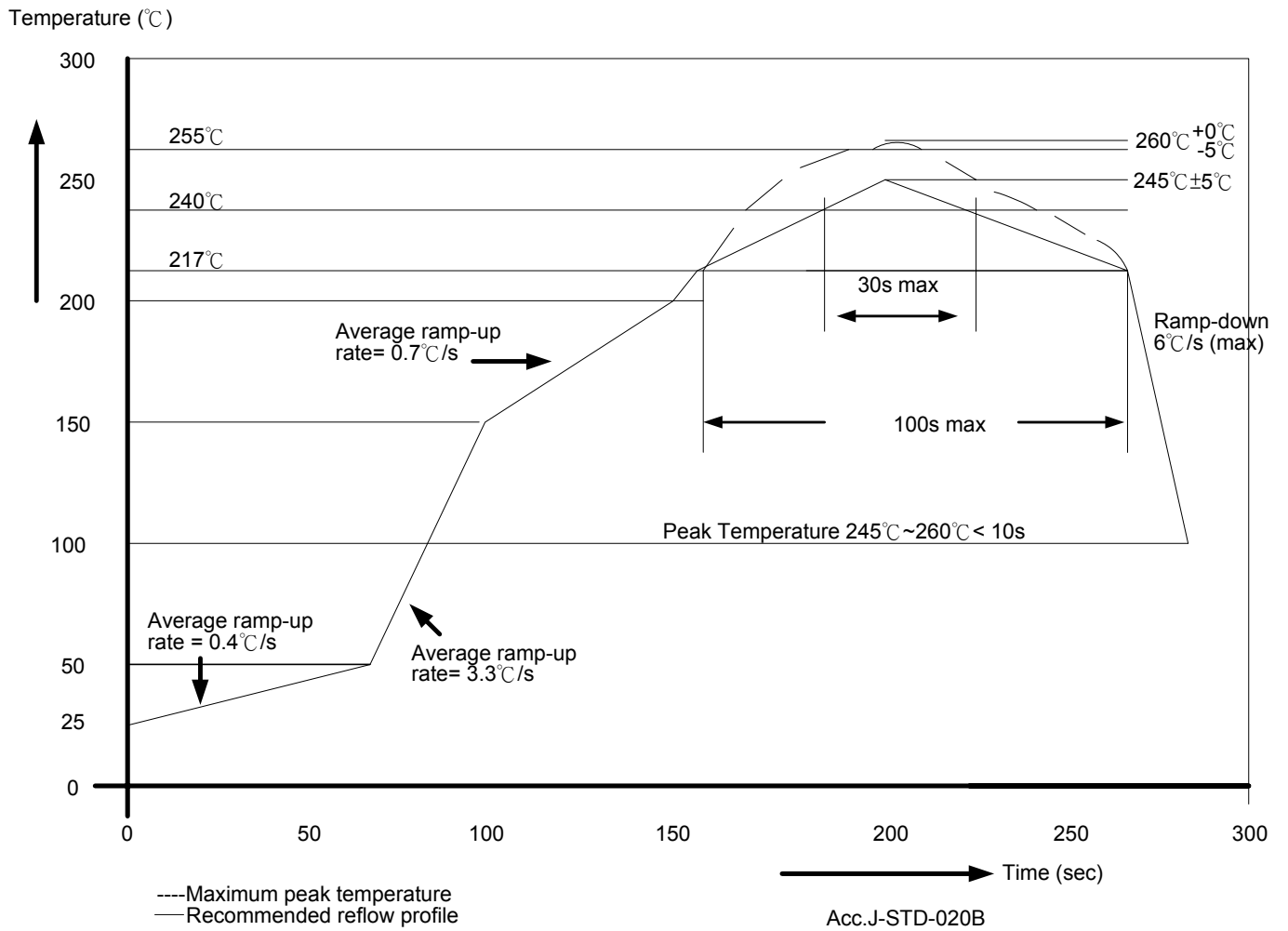
Also, the output current can be calculated from the equation:

$$V_{R-EXT} = 1.26V ; I_{OUT} = (V_{R-EXT} / R_{ext}) \times 15$$

where  $R_{ext}$  is the resistance of the external resistor connected to R-EXT terminal and  $V_{R-EXT}$  is the voltage of R-EXT terminal. The magnitude of current (as a function of  $R_{ext}$ ) is around 52.5mA at 360Ω and 26.25mA at 720Ω.

**Soldering Process of “Pb-free & Green” Package Plating\***

Macroblock has defines "Pb-Free & Green" to mean semiconductor products that are compatible with the current RoHS requirements and selected **100% pure tin (Sn)** to provide forward and backward compatibility with both the current industry-standard SnPb-based soldering processes and higher-temperature Pb-free processes. Pure tin is widely accepted by customers and suppliers of electronic devices in Europe, Asia and the US as the lead-free surface finish of choice to replace tin-lead. Also, it is backward compatible to standard 215°C to 240°C reflow processes which adopt tin/lead (SnPb) solder paste. However, in the whole Pb-free soldering processes and materials, 100% pure tin (Sn), will all require up to 260°C for proper soldering on boards, referring to J-STD-020B as shown below.



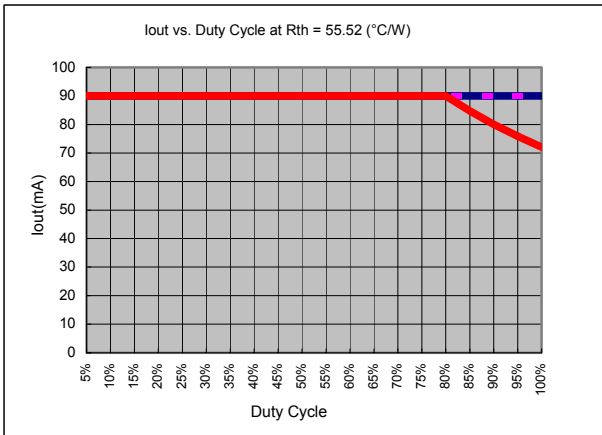
\*Note1: For details, please refer to Macroblock’s “Policy on Pb-free & Green Package”.

**Package Power Dissipation (P<sub>D</sub>)**

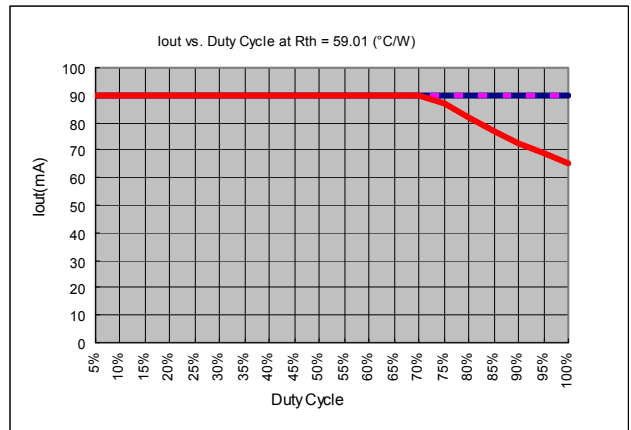
The maximum allowable package power dissipation is determined as  $P_{D(max)} = (T_j - T_a) / R_{th(j-a)}$ . When 16 output channels are turned on simultaneously, the actual package power dissipation is  $P_{D(act)} = (I_{DD} \times V_{DD}) + (I_{OUT} \times Duty \times V_{DS} \times 16)$ . Therefore, to keep  $P_{D(act)} \leq P_{D(max)}$ , the allowable maximum output current as a function of duty cycle is:

$$I_{OUT} = \{ [(T_j - T_a) / R_{th(j-a)}] - (I_{DD} \times V_{DD}) \} / V_{DS} / Duty / 16,$$

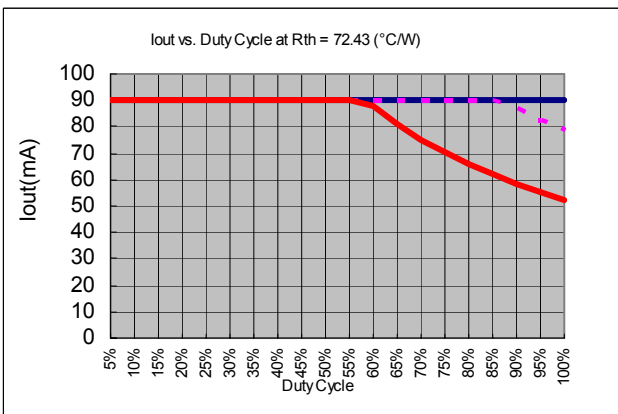
where  $T_j = 150^\circ\text{C}$ .



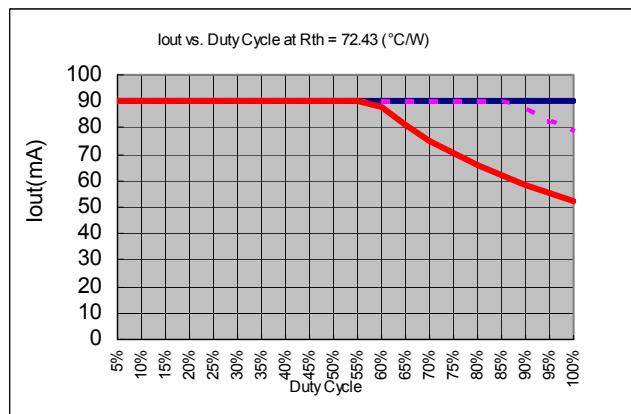
CN\GN type package



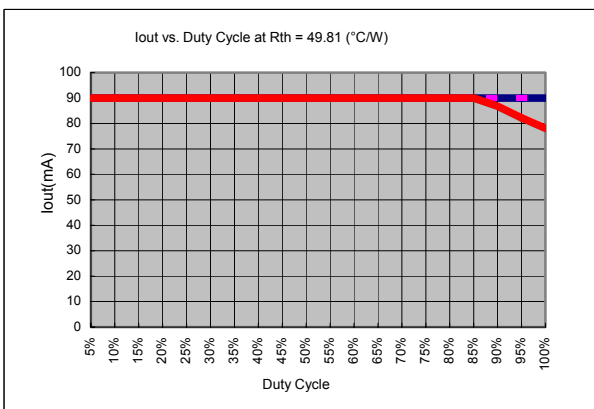
CF\GF type package



CNS\GNS type package



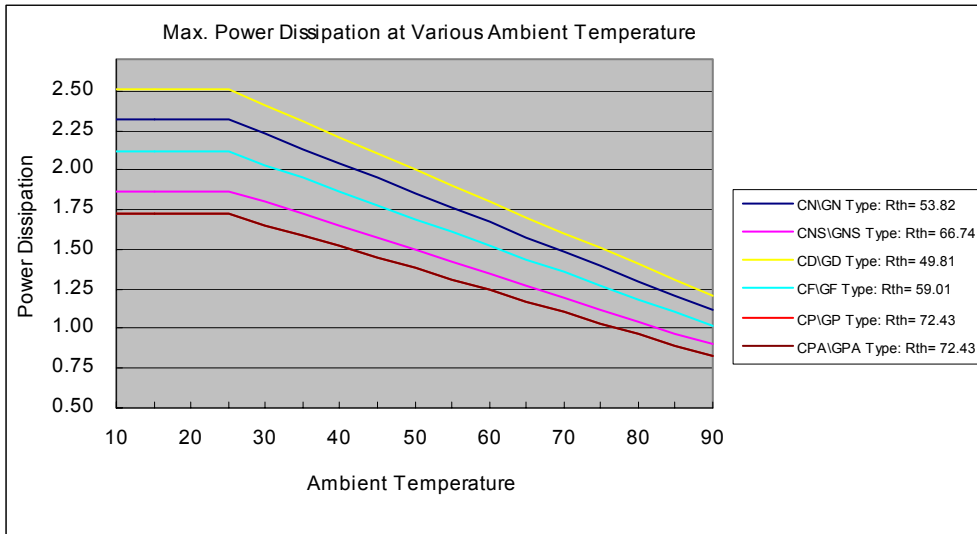
CP\CPA\GP\GPA type package



CD\GD type package

Condition : $I_{out} = 90\text{mA}$ , $V_{DS} = 1.0\text{V}$ , 16 output channels active			Note
Device Type		$R_{th(j-a)} (^{\circ}\text{C/W})$	
CN	GN	55.52    49.90	
CNS	GNS	66.74    62.28	
CD	GD	49.81    45.69	
CF	GF	59.01    52.38	
CP\CPA	GP\GPA	72.43    68.48	

The maximum power dissipation,  $P_D(max) = (T_j - T_a) / R_{th(j-a)}$ , decreases as the ambient temperature increases.

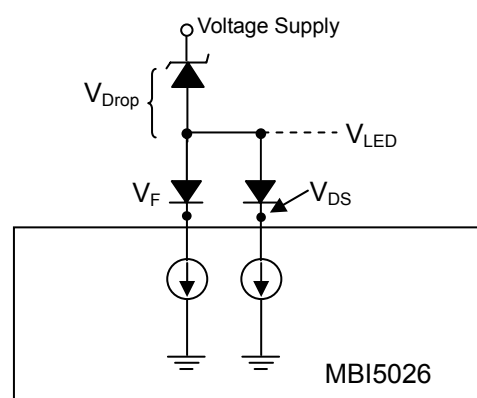
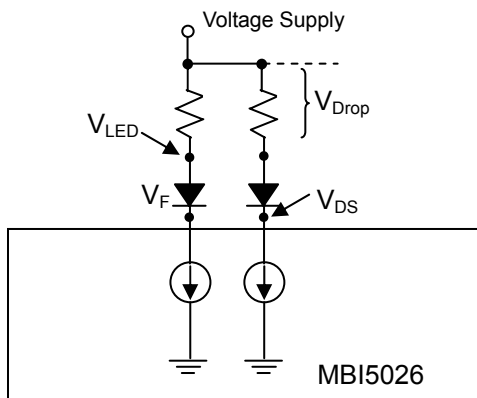


### Load Supply Voltage ( $V_{LED}$ )

MBI5026 are designed to operate with  $V_{DS}$  ranging from 0.4V to 1.0V considering the package power dissipating limits.  $V_{DS}$  may be higher enough to make  $P_{D(act)} > P_{D(max)}$  when  $V_{LED} = 5V$  and  $V_{DS} = V_{LED} - V_F$ , in which  $V_{LED}$  is the load supply voltage. In this case, it is recommended to use the lowest possible supply voltage or to set an external voltage reducer,  $V_{DROP}$ .

A voltage reducer lets  $V_{DS} = (V_{LED} - V_F) - V_{DROP}$ .

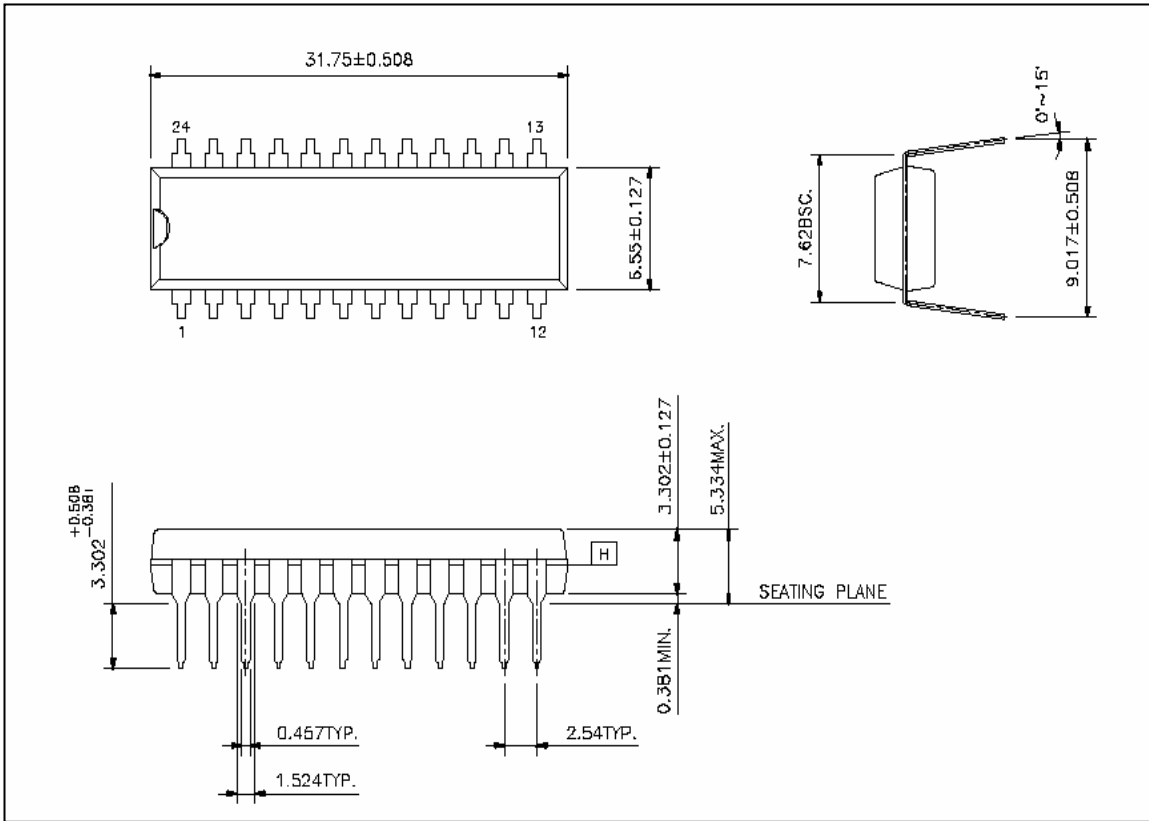
Resistors or Zener diode can be used in the applications as shown in the following figures.



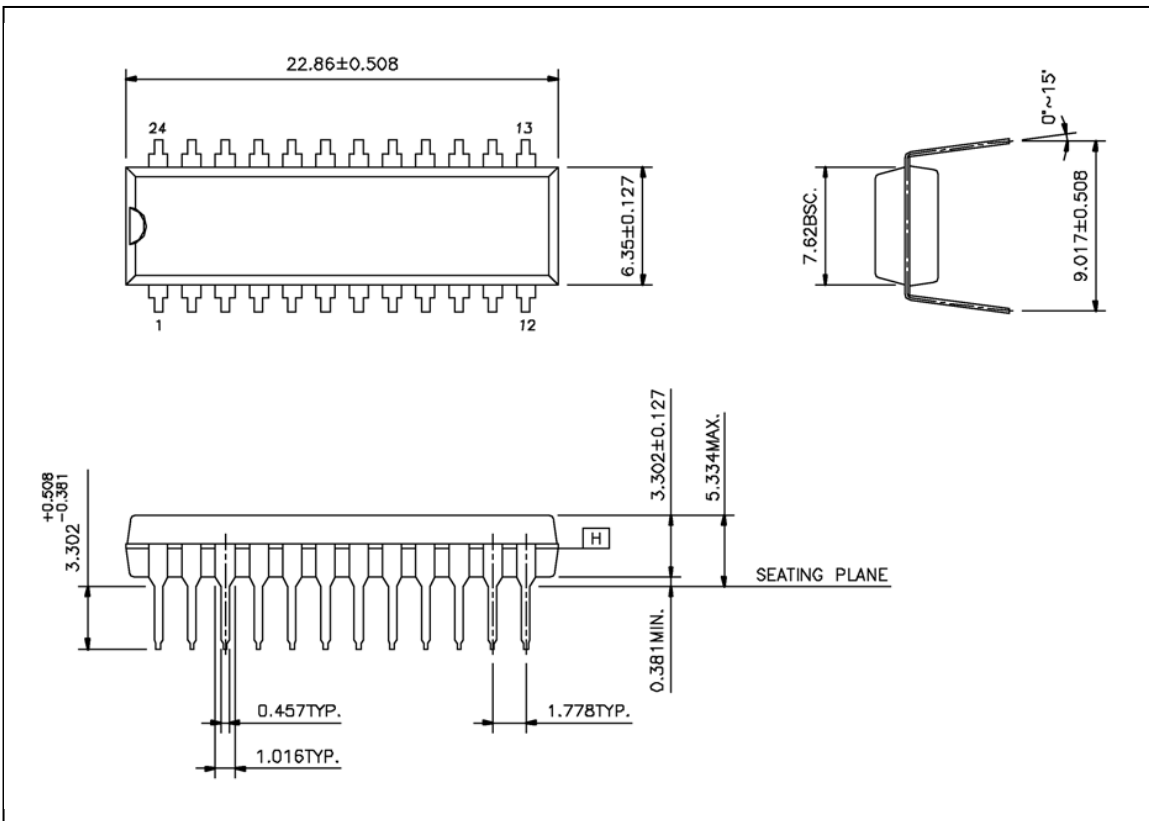
### Switching Noise Reduction

LED driver ICs are frequently used in switch-mode applications which always behave with switching noise due to the parasitic inductance on PCB. To eliminate switching noise, refer to "Application Note for 8-bit and 16-bit LED Drivers- Overshoot".

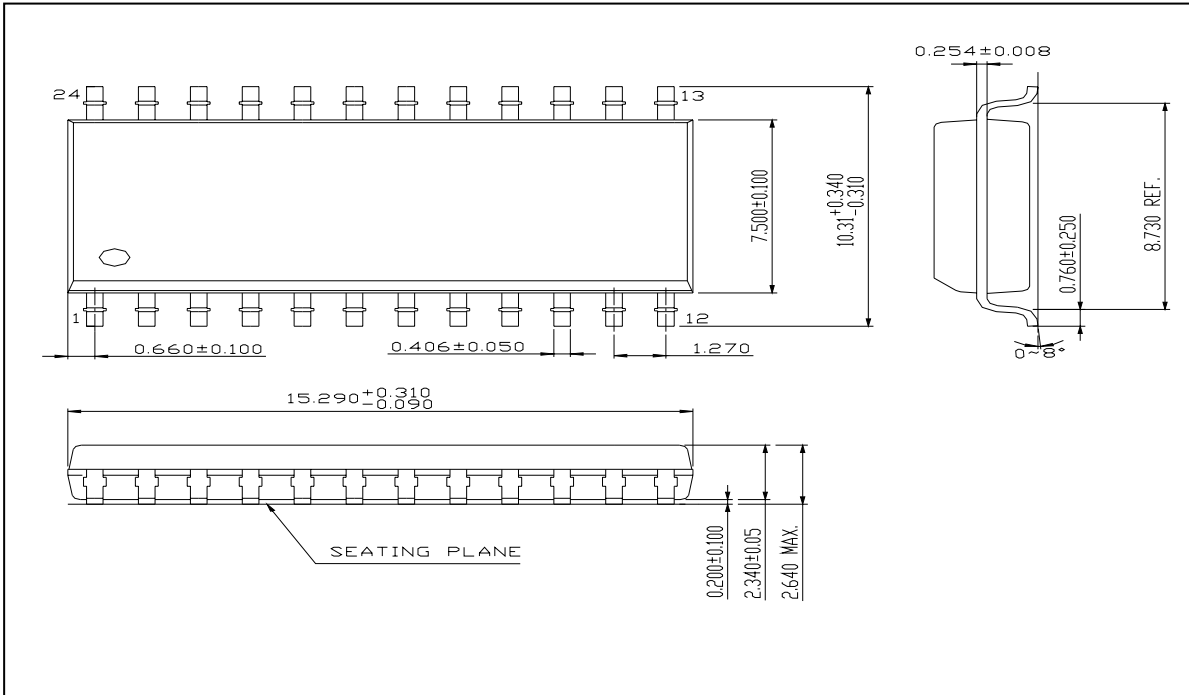
Package Outline



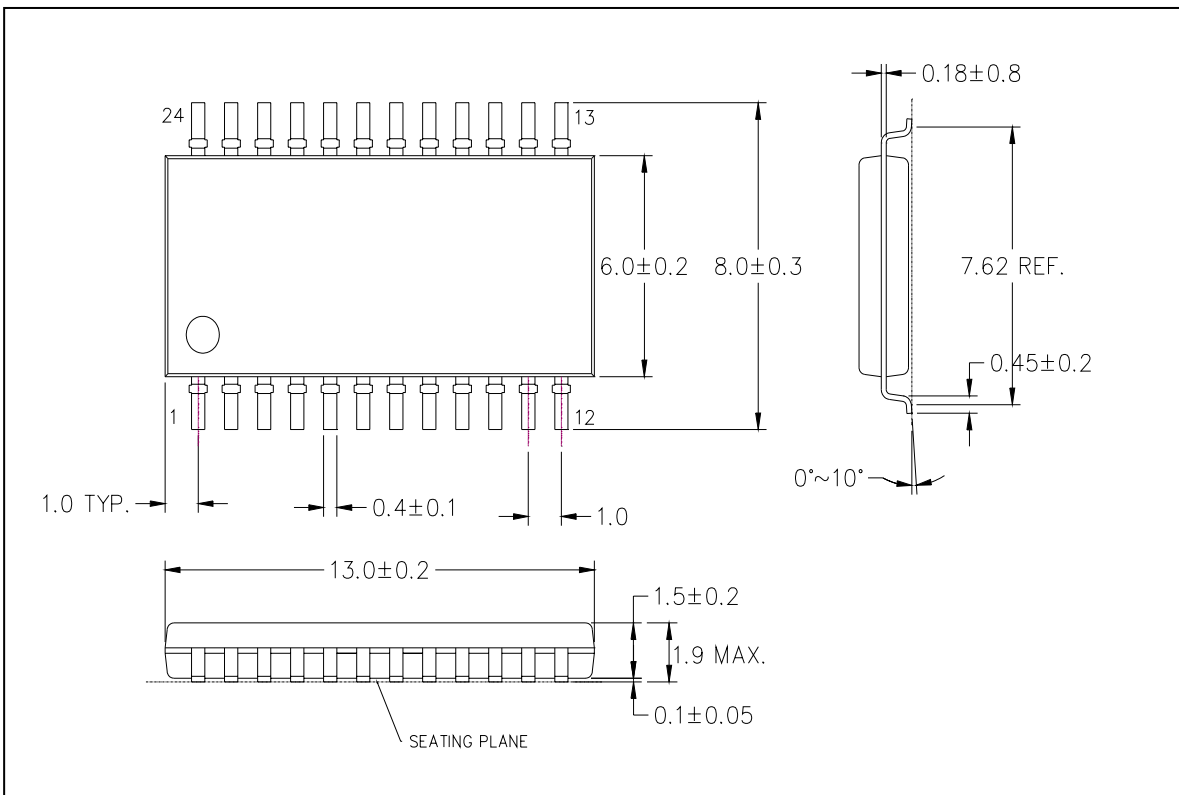
MBI5026CN\GN Outline Drawing



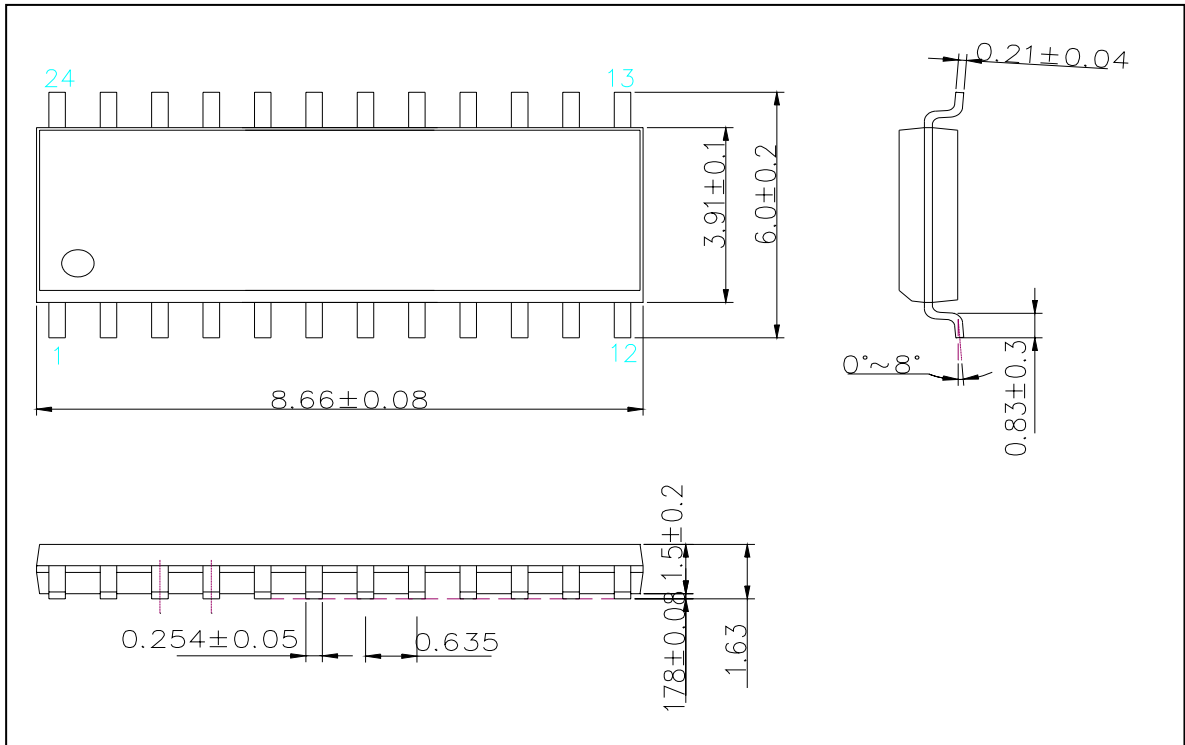
MBI5026CNS\GNS Outline Drawing



MBI5026CD\GD Outline Drawing



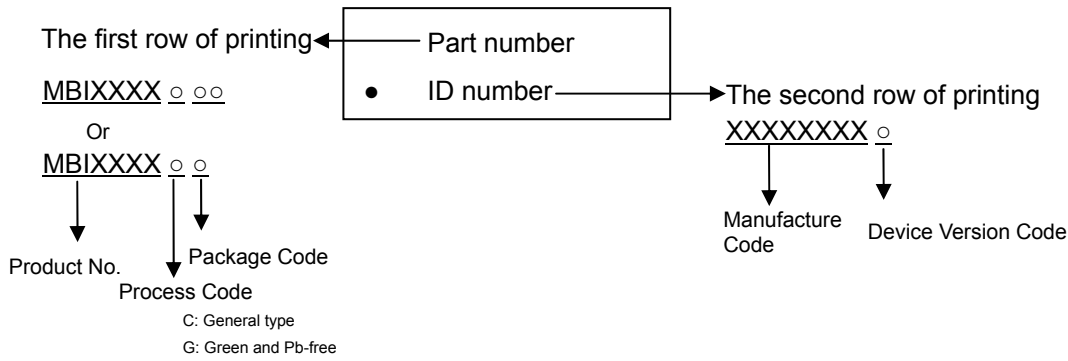
MBI5026CF\GF Outline Drawing



MBI5026CP\CPA\GP\GPA Outline Drawing

Note: The unit for the outline drawing is mm.

**Product Top-mark Information**



**Product Revision History**

Datasheet version	Device version code
VA.00	Not defined
VA.01	A
VA.02	A

**Product Ordering Information**

Part Number	Package Type	Weight (g)
MBI5026CN	P-DIP24-300-2.54	1.628
MBI5026CNS	SP-DIP24-300-1.78	1.11
MBI5026CD	SOP24-300-1.27	0.617
MBI5026CF	SOP24-300-1.00	0.28
MBI5026CP	SSOP24-150-0.64	0.11
MBI5026CPA	SSOP24-150-0.64	0.11

Part Number	“Pb-free & Green” Package Type	Weight (g)
MBI5026GN	P-DIP24-300-2.54	1.628
MBI5026GNS	SP-DIP24-300-1.78	1.11
MBI5026GD	SOP24-300-1.27	0.617
MBI5026GF	SOP24-300-1.00	0.28
MBI5026GP	SSOP24-150-0.64	0.11
MBI5026GPA	SSOP24-150-0.64	0.11

**Disclaimer**

Macroblock reserves the right to make changes, corrections, modifications, and improvements to their products and documents or discontinue any product or service without notice. Customers are advised to consult their sales representative for the latest product information before ordering. All products are sold subject to the terms and conditions supplied at the time of order acknowledgement, including those pertaining to warranty, patent infringement, and limitation of liability.

Macroblock's products are not designed to be used as components in device intended to support or sustain life or in military applications. Use of Macroblock's products in components intended for surgical implant into the body, or other applications in which failure of Macroblock's products could create a situation where personal death or injury may occur, is not authorized without the express written approval of the President of Macroblock. Macroblock will not be held liable for any damages or claims resulting from the use of its products in medical and military applications.

All text, images, logos and information contained on this document is the intellectual property of Macoblock. Unauthorized reproduction, duplication, extraction, use or disclosure of the above mentioned intellectual property will be deemed as infringement.