

<b>PRODUCT DRAWING</b>		CUSTOMER NO.:	
<b>DRAWING OF TI8148-40C</b>		FILENAME:	REVISION: <b>E</b>
		ORIGINAL DATE: <b>06 APR 2005</b>	TOTAL PAGES: <b>4</b>
<input type="checkbox"/> INITIATE <input checked="" type="checkbox"/> REVISE		EFFECTIVE DATE:	

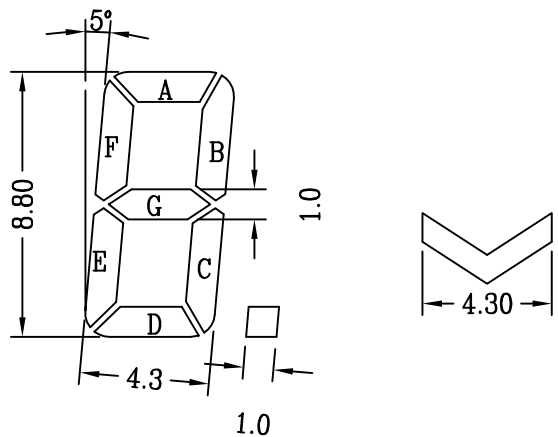
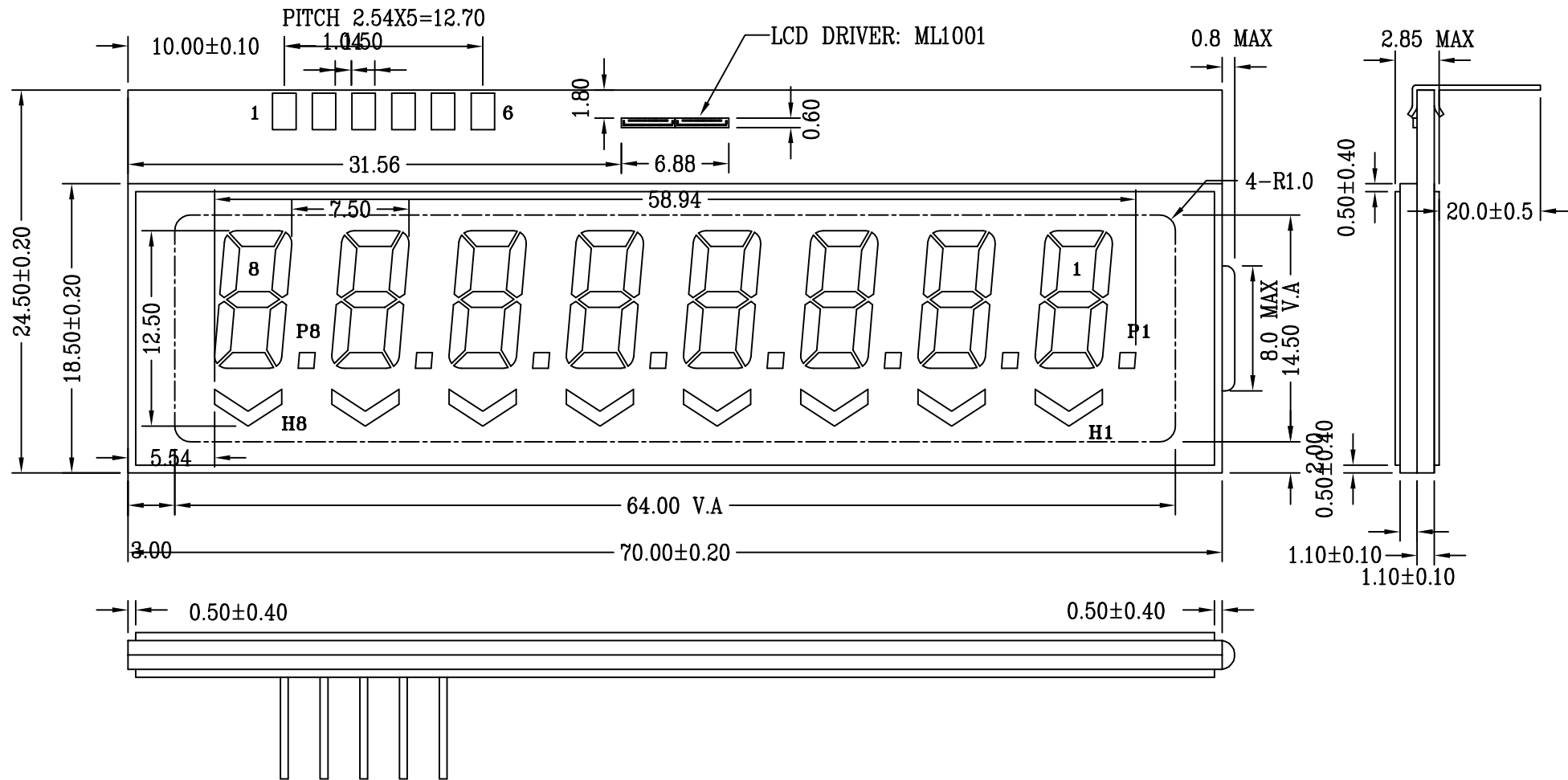
REVISIONS		
REV	DESCRIPTION	DATE
A	Change LCD driver.	24 MAY 2002
B	Change LCD driver.	30 MAY 2002
C	Change LCD driver.	29 AUG 2002
D	Change LCD driver.	05 JUL 2003
E	Change topview to bottom and pinlength to 20.0mm.	06 Apr 2005

ORIGINATOR	DESIGN MGR.
------------	-------------



Please sign and fax back this page to confirm this drawing.  
Please indicate if you need samples.

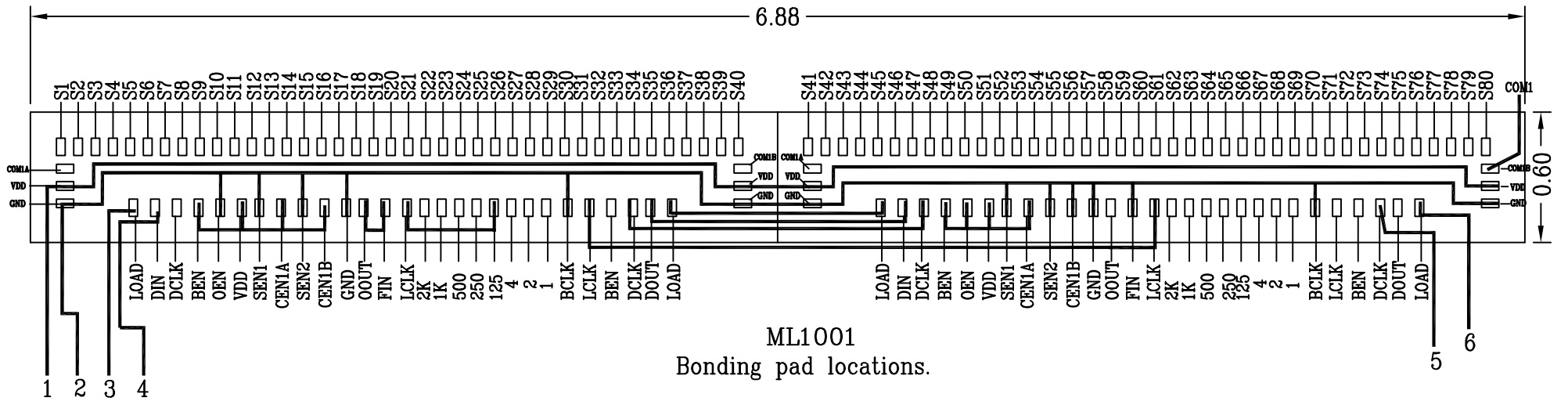
-----  
Authorized Signatures



NO	SYMBOL
1	VDD
2	GND
3	LOAD
4	DIN
5	DCLK
6	CHK

REV	E
-----	---

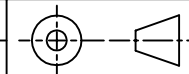
Designed by:		<b>TI8148-40C</b>
Checked by:		
Approved by:		
Filename:		
		Unit: mm
		Sheet: 2 OF 4



PIN	S1	S2	S3	S4	S5	S6	S7	S8	S9	S10	S11	S12	S13	S14	S15	S16	S17	S18	S19	S20
COM1	8D	8E	8G	8F	8A	8B	8C	H8	P8	7D	7E	7G	7F	7A	7B	7C	H7	P7	6D	6E
PIN	S21	S22	S23	S24	S25	S26	S27	S28	S29	S30	S31	S32	S33	S34	S35	S36	S37	S38	S39	S40
COM1	6G	6F	6A	6B	6C	H6	P6	5D	5E	5G	5F	5A	5B	5C	H5	P5	4D	4E	4G	4F
PIN	S41	S42	S43	S44	S45	S46	S47	S48	S49	S50	S51	S52	S53	S54	S55	S56	S57	S58	S59	S60
COM1	4A	4B	4C	H4	P4	3D	3E	3G	3F	3A	3B	3C	H3	P3	2D	2E	2G	2F	2A	2B
PIN	S61	S62	S63	S64	S65	S66	S67	S68	S69	S70	S71	S72	S73	S74	S75	S76	S77	S78	S79	S80
COM1	2C	H2	P2	1D	1E	1G	1F	1A	1B	1C	H1	P1								

<i>REV</i>	<b>E</b>
------------	----------

Designed by:	<b>TI8148-40C</b>
Checked by:	
Approved by:	
Filename:	



Unit:	mm
Sheet:	3 OF 4

A. Dimensions:

1. Length of top glass:  
70.00±0.20 mm

Width of top glass:  
18.50±0.20 mm

2. Length of bottom glass:  
70.00±0.20 mm

Width of bottom glass:  
24.50±0.20 mm

3. Thickness of LCD(max):  
2.85 mm

4. Thickness of glass:  
Top: 1.10 mm  
Bottom: 1.10 mm

5. Length of viewing area:  
Horizontal: 64.00 mm  
Vertical: 14.50 mm

B. Display specification:

1. Duty: STATIC

2. Bias: \_\_\_\_\_

3. Operating voltage 3.0-5.0V

4. Viewing angle: 6:00

5. Temperature:  
Operating: -40 TO +60°C

Storage: -50 TO +70°C

6. Polarizer:  
Top: TRANSMISSIVE

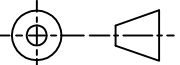
Bottom: REFLECTIVE

7. End seal: RIGHT

8. Length of pin: 20.0 mm

Pitch of pin: 2.54 mm

REV E

Designed by:		TI8148-40C	
Checked by:			
Approved by:			Unit: mm
Filename:			Sheet: 4 OF 4