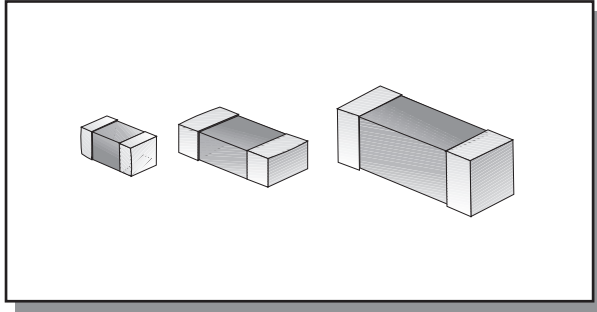


Type BLM

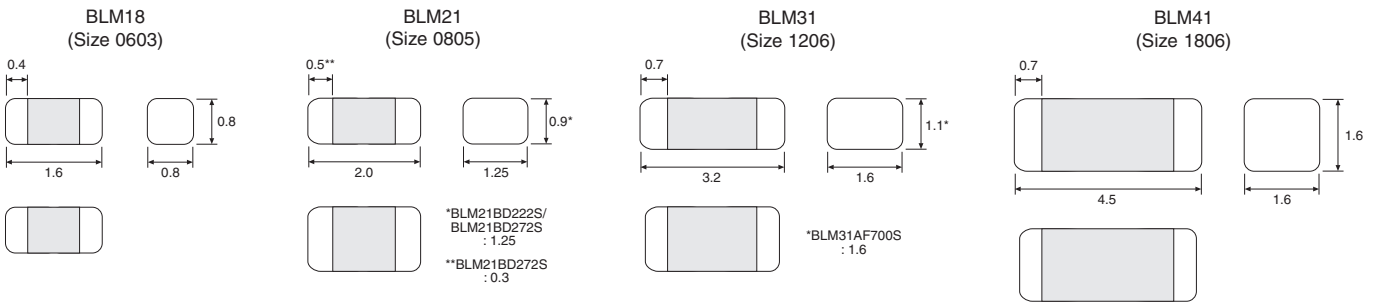
Impedance Range at 100MHz **5Ω - 2.7kΩ**
 Current Range **50mA - 6A**

A range of surface mount, ferrite bead inductors available in four different chip sizes. Exhibit a high impedance which at high frequencies mainly consists of a resistance element. The range comprises of the type A (general), type B (high frequency), and type P (high current). Supplied taped and reeled.

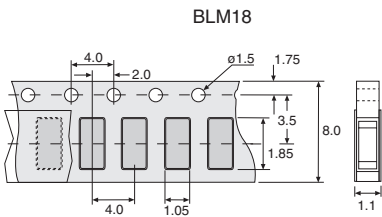


- ◆ 0603, 0805, 1206 and 1806 chip sizes
- ◆ Choice of general, high frequency and high current types
- ◆ Nickel barrier terminations
- ◆ Suitable for wave & reflow soldering
- ◆ Supplied taped & reeled

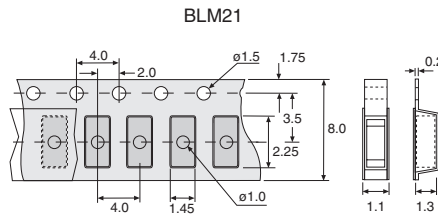
Dimensions (mm)



Packaging



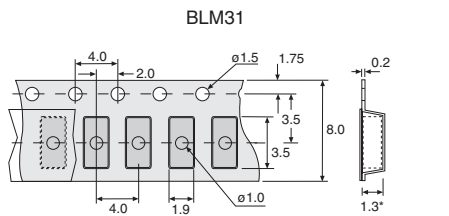
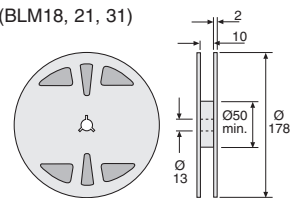
Reel quantity: 4000pcs



Reel quantity: 3000pcs

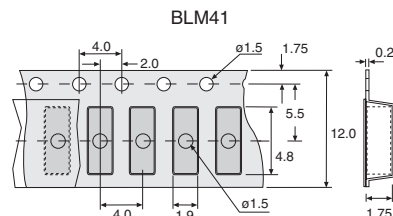
BLM21BD222S/
BLM21BD272S

Reel (BLM18, 21, 31)



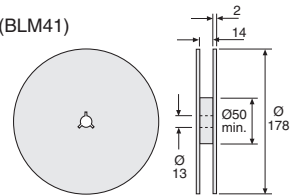
Reel quantity: 3000pcs
(BLM31AF700S 2500pcs)

*BLM31AF700S = 1.75



Reel quantity: 2500pcs

Reel (BLM41)



TYPE DESIGNATION

- A** – general use types, exhibit impedance down to relatively low frequency.
- B** – high frequency types, minimise attenuation of signal waveform due to their sharp impedance characteristic.
- P** – high current types, offer low dc resistance.

MURATA type BLM Chip Ferrite Beads continued overleaf > > > >

Type BLM (continued)



BLM18 series, 1.6mm x 0.8mm (0603)

Type	Typ. Impedance at 100MHz (Ω)	Rated Current (mA)	Maximum Signal Frequency (MHz)	Max. DC Resistance (Ω)	Operating Temperature Range (°C)	Murata Part No. & Anglia Order Code
P	30	1000	-	0.05	-55 to +125	BLM18PG300SN1D
P	60	500	-	0.10	-55 to +125	BLM18PG600SN1D
A	120	200	-	0.20	-55 to +125	BLM18AG121SN1D
A	220	200	-	0.30	-55 to +125	BLM18AG221SN1D
A	600	200	-	0.50	-55 to +125	BLM18AG601SN1D
A	1000	100	-	0.70	-55 to +125	BLM18AG102SN1D
B	75	200	100	0.35	-55 to +125	BLM18BB750SN1D
B	140	200	50	0.55	-55 to +125	BLM18BB141SN1D
B	420	200	20	0.55	-55 to +125	BLM18BD421SN1D
B	600	200	20	0.65	-55 to +125	BLM18BD601SN1D
B	1000	100	10	0.85	-55 to +125	BLM18BD102SN1D
B	1800	50	5	1.50	-55 to +125	BLM18BD182SN1D

BLM21 series, 2.0mm x 1.25mm (0805)

Type	Typ. Impedance at 100MHz (Ω)	Rated Current (mA)	Maximum Signal Frequency (MHz)	Max. DC Resistance (Ω)	Operating Temperature Range (°C)	Murata Part No. & Anglia Order Code
P	30	3000	-	0.015	-55 to +125*	BLM21PG300SN1D
A	120	200	-	0.15	-55 to +125	BLM21AG121SN1D
A	120	200	-	0.40	-55 to +125	BLM21AF121SN1D
A	400	200	-	0.85	-55 to +125	BLM21AJ401SN1D
A	600	200	-	0.30	-55 to +125	BLM21AG601SN1D
A	600	200	-	1.10	-55 to +125	BLM21AJ601SN1D
A	1000	200	-	0.45	-55 to +125	BLM21AG102SN1D
A	1000	200	-	0.45	-55 to +85	BLM21AH102SN1D
B	5	500	-	0.07	-55 to +125	BLM21BB050SN1D
B	75	200	100	0.25	-55 to +125	BLM21BB750SN1D
B	200	200	50	0.35	-55 to +125	BLM21BB201SN1D
B	420	200	20	0.30	-55 to +125	BLM21BD421SN1D
B	600	200	20	0.35	-55 to +125	BLM21BD601SN1D
B	750	200	20	0.40	-55 to +125	BLM21BD751CN1D
B	1000	200	10	0.40	-55 to +125	BLM21BD102SN1D
B	2250	200	5	0.60	-55 to +125	BLM21BD222SN1L
B	2700	200	5	0.80	-55 to +125	BLM21BD272SN1L

BLM31 series, 3.2mm x 1.6mm (1206)

Type	Typ. Impedance at 100MHz (Ω)	Rated Current (mA)	Max. DC Resistance (Ω)	Operating Temperature Range (°C)	Murata Part No. & Anglia Order Code
P	50	3000	0.025	-55 to +125*	BLM31PG500SN1L
A	26	500	0.05	-55 to +125	BLM31AJ260SN1L
A	70	200	0.15	-55 to +125	BLM31AF700SN1L
A	600	200	0.90	-55 to +125	BLM31AJ601SN1L
B	600	200	0.09	-55 to +125	BLM31BE601SN1L
B	600	300	0.35	-55 to +125	BLM31BE601FN1L

BLM41 series, 4.5mm x 1.6mm (1806)

Type	Typ. Impedance at 100MHz (Ω)	Rated Current (mA)	Max. DC Resistance (Ω)	Operating Temperature Range (°C)	Murata Part No. & Anglia Order Code
P	60	6000	0.01	-55 to +125*	BLM41PG600SN1L
P	75	3000	0.025	-55 to +125*	BLM41PG750SN1L
P	80	1000	0.10	-55 to +125	BLM41PF800SN1L
A	80	500	0.10	-55 to +125	BLM41AF800SN1L
A	150	200	0.50	-55 to +125	BLM41AF151SN1L

* derating required above 85°C

TYPE DESIGNATION : A = general, B = high frequency, P = high current