

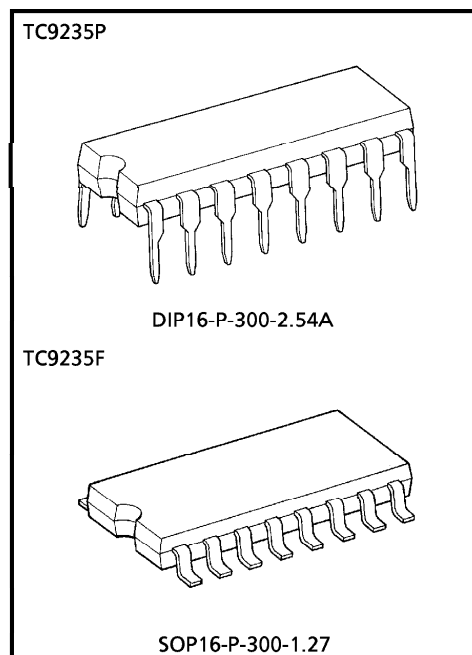
TC9235P, TC9235F

ELECTRONIC VOLUME

The TC9235P and TC9235F are an optimum CMOS IC which has been designed for electronization of volume control of audio equipment, etc.

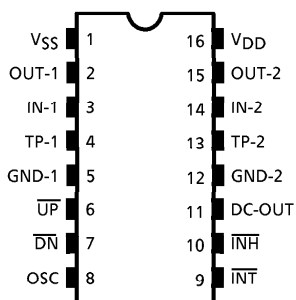
FEATURES

- Attenuation can be controlled from 0dB to -78dB by up, down input.
- This IC have 20dB tap for loudness circuit.
- This IC features a built-in DC output circuit (7 level) for volume level meter.
- Polysilicon resistors enables low-distortion, high-performance volume systems.
- Volume level remains in backup mode with low current consumption.
- Package is DIP16 and SOP16.

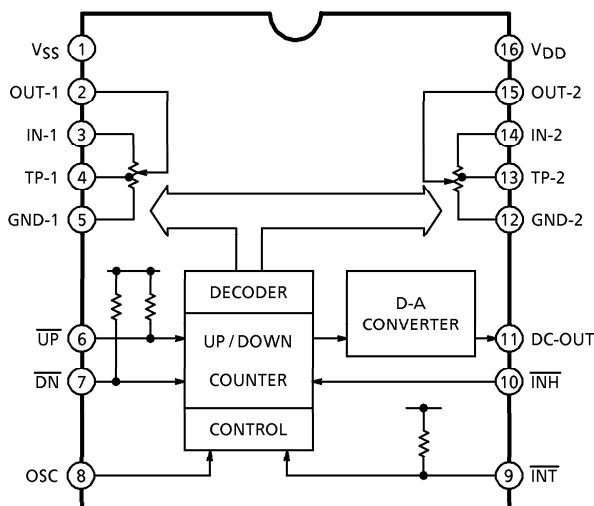


Weight
 DIP16-P-300-2.54A : 1.0g (Typ.)
 SOP16-P-300-1.27 : 0.16g (Typ.)

PIN CONNECTION



BLOCK DIAGRAM



980508EBA2

● TOSHIBA is continually working to improve the quality and the reliability of its products. Nevertheless, semiconductor devices in general can malfunction or fail due to their inherent electrical sensitivity and vulnerability to physical stress. It is the responsibility of the buyer, when utilizing TOSHIBA products, to observe standards of safety, and to avoid situations in which a malfunction or failure of a TOSHIBA product could cause loss of human life, bodily injury or damage to property. In developing your designs, please ensure that TOSHIBA products are used within specified operating ranges as set forth in the most recent products specifications. Also, please keep in mind the precautions and conditions set forth in the TOSHIBA Semiconductor Reliability Handbook.

PIN FUNCTION

PIN No.	SYMBOL	PIN NAME	FUNCTION AND OPERATION	NOTE
1	V _{SS}	Negative power supply pin	Power supply terminal	—
16	V _{DD}	Positive power supply pin		
2	OUT-1	Volume output pins	Volume circuit 	—
15	OUT-2			
3	IN-1	Volume input pins		
14	IN-2			
4	TP-1	Tap output pins for loudness		
13	TP-2			
5	GND-1	Analog ground pins		
12	GND-2			
6	UP	Volume up input pin	Volume up, down control input pin. The 1 step/1 push volume is controlled by pushing the Up or Down key. If the key has been pushed continuously, the continuous volume control.	Built-in pull-up resistor
7	DN	Volume down input pin		
8	OSC	Oscillation pin	Oscillation pin. Oscillator circuit consist of C-R connection. Oscillation is executed while key is pushed.	—
9	INT	Initializing pin	Input pin for setting initial volume level volume level set to 46dB by "L" input.	Built-in pull-up resistor
10	INH	Inhibit terminal	Back up mode input pin. Internal all operation is stopped by "L" input, and volume level remains with low current consumption.	—
11	DC-OUT	DC output pin for level meter	DC output pin for volume level meter. DC voltage which is corresponded to volume step is generated.	—

980508EBA2'

- The products described in this document are subject to foreign exchange and foreign trade laws.
- The information contained herein is presented only as a guide for the applications of our products. No responsibility is assumed by TOSHIBA CORPORATION for any infringements of intellectual property or other rights of the third parties which may result from its use. No license is granted by implication or otherwise under any intellectual property or other rights of TOSHIBA CORPORATION or others.
- The information contained herein is subject to change without notice.

OPERATION

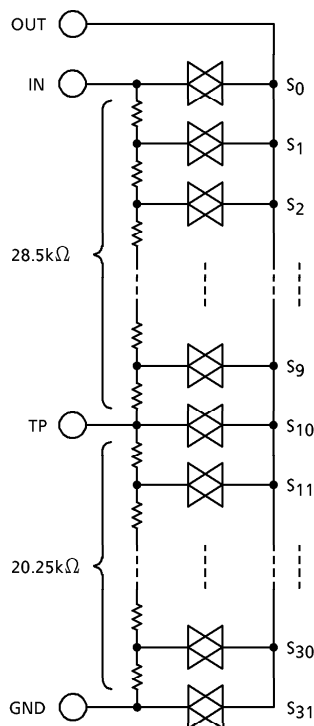
1. Volume circuit

Volume circuit consist of ladder resistor and analog switch.

Tap for loudness is connected to step 10 (20dB).

Attenuation is as follows when resistor (3.9kΩ) is connected between TP pin and GND pin.

● Equivalence circuit



● Volume step and attenuation

(Attenuation is as follows when resistor (3.9kΩ) is connected between TP pin and GND pin.)

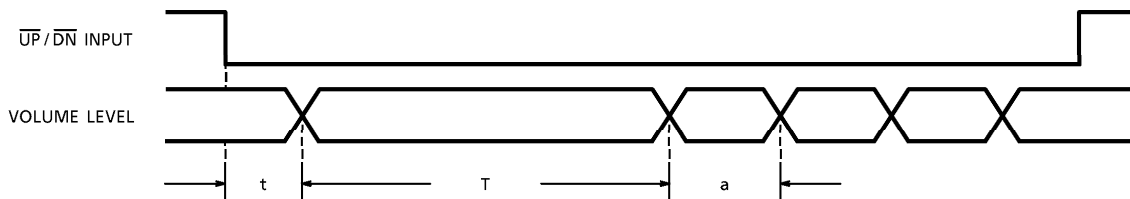
STEP	ATTENUATION	STEP	ATTENUATION
0	0 (dB)	16	32 (dB)
1	2	17	34
2	4	18	36
3	6	19	38
4	8	20	40
5	10	21	42
6	12	*22	46
7	14	23	50
8	16	24	54
9	18	25	58
10	20	26	62
11	22	27	66
12	24	28	70
13	26	29	74
14	28	30	78
15	30	31	∞

* Step 22 (46dB) initial value.

2. Volume up, down control circuit

Volume up, down control is executed by \overline{UP} , \overline{DN} key input.

- The 1 step / 1 push volume is controlled by "L" level of \overline{UP} , \overline{DN} key.
- If \overline{UP} , \overline{DN} key is input "L" continuously, volume level is changed continuously.
- Timing of key input



t : Prevent time for chattering $\approx 2.2 \times 1 / f_{OSC} (\approx 110ms)$
 T : Switching time to automatic mode $\approx 10 \times 1 / f_{OSC} (\approx 500ms)$
 a : Up, Down speed $\approx 2 \times 1 / f_{OSC} (\approx 100ms)$
 $f_{OSC} \approx C_X \cdot R_X$ (Hz) : $R_X = 12 \sim 220k\Omega$

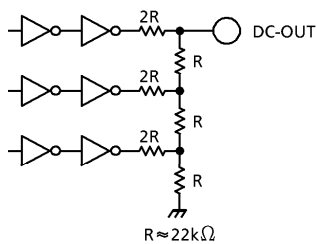
3. DC output circuit for volume level

DC output for volume level meter is internally connected to D-A converter (R / 2R type).

8 stage output voltage which is corresponded to volume level is generated.

Because output impedance $\approx 22k\Omega$ (typ.) is high, If input impedance of next setting level meter IC is low, set to Buffer.

- Equivalence circuit



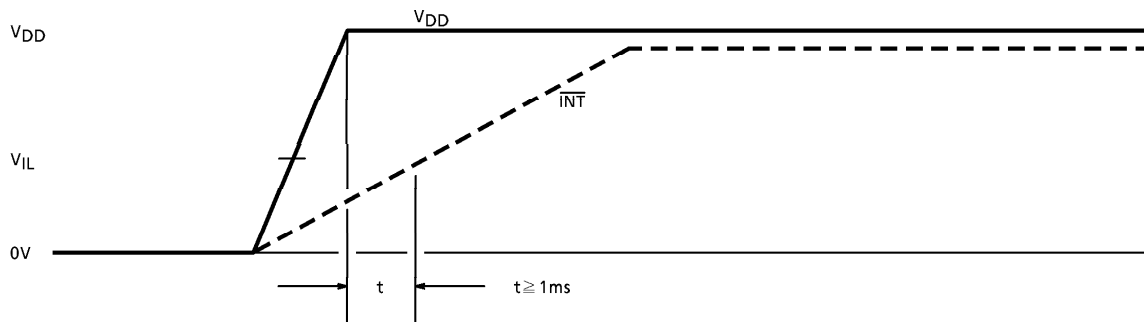
- Volume step and Output voltage

STEP	ATTENUATION (dB)	OUTPUT VOLTAGE (V)
0~ 3	0~ 6	$7 / 8 V_{DD}$
4~ 7	8~14	$6 / 8 V_{DD}$
8~11	16~22	$5 / 8 V_{DD}$
12~15	24~30	$4 / 8 V_{DD}$
16~19	32~38	$3 / 8 V_{DD}$
20~23	40~50	$2 / 8 V_{DD}$
24~27	54~66	$1 / 8 V_{DD}$
28~31	70~∞	0

4. Initialization and Backup operation

(1) Initialization operation

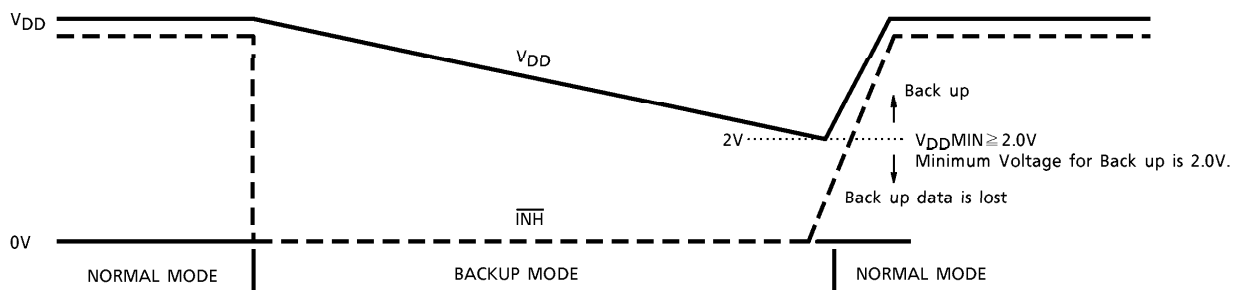
When power on, volume level is set to initial value (46dB) by setting $\overline{\text{INT}}$ pin to "L" level for a while.



Adjust condenser value which is set $\overline{\text{INT}}$ pin to the period while $\overline{\text{INT}}$ pin is "L" level is longer than 1ms when power on.

(2) Backup operation

Internal operation is all stopped when $\overline{\text{INH}}$ pin is "L" level, and prohibit input and output. Volume data is remains while Backup mode with low current consumption.



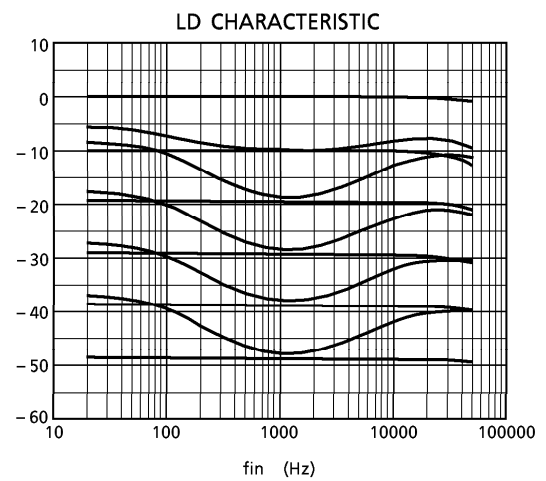
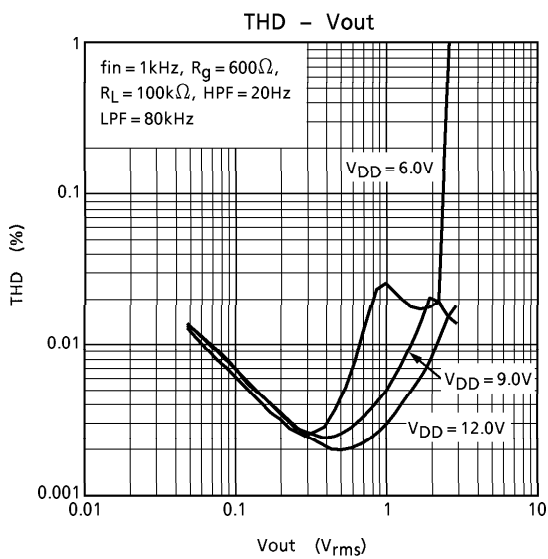
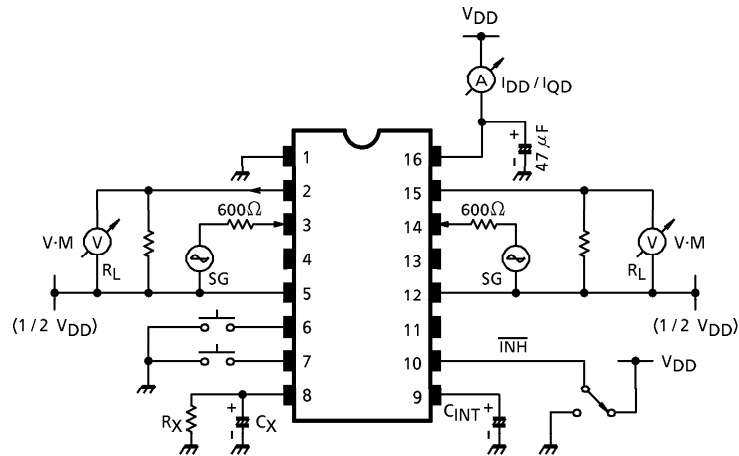
MAXIMUM RATINGS (Ta = 25°C)

CHARACTERISTIC	SYMBOL	RATING	UNIT
Supply Voltage	V _{DD}	- 0.3~15	V
Input Voltage	V _{IN}	- 0.3~V _{DD} + 0.3	V
Power Dissipation	P _D	300	mW
Operating Temperature	T _{opr}	- 40~85	°C
Storage Temperature	t _{stg}	- 55~150	°C

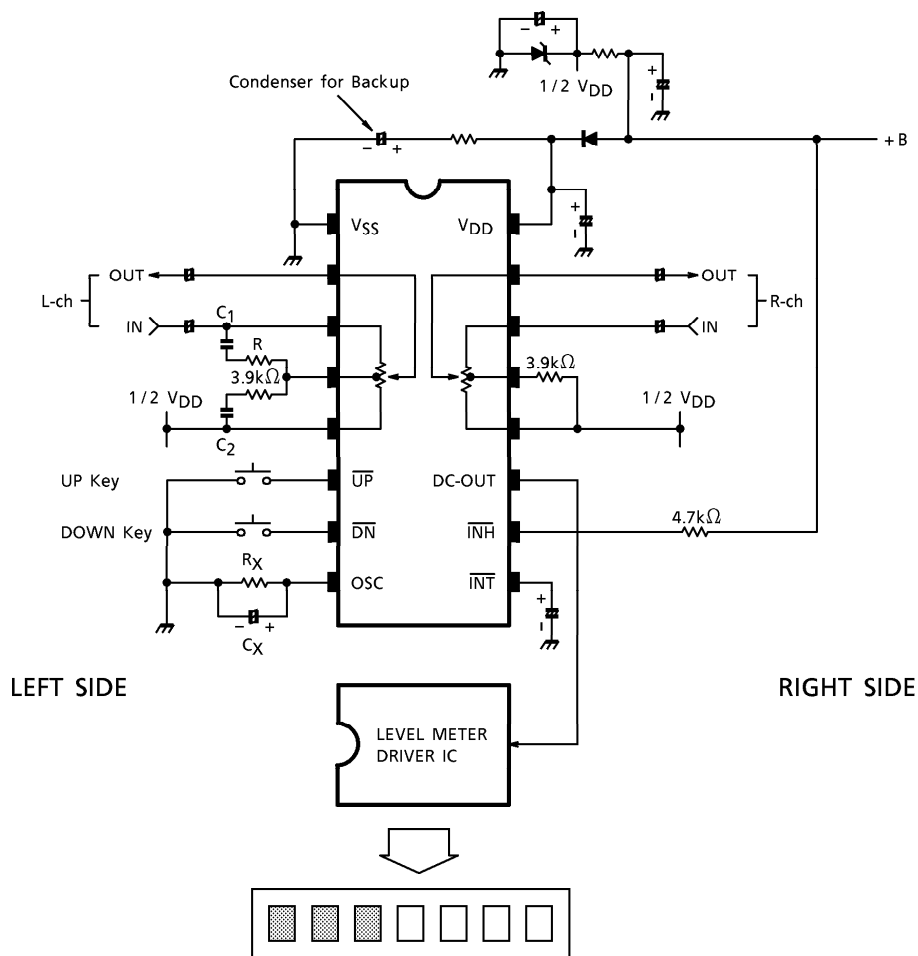
ELECTRICAL CHARACTERISTICS (Unless otherwise specified, Ta = 25°C, V_{DD} = 9V)

CHARACTERISTIC		SYMBOL	TEST CIR-CUIT	TEST CONDITION	MIN.	TYP.	MAX.	UNIT	
Operating Supply Voltage		V _{DD}	—	Ta = - 40~85°C	4.5	9.0	12	V	
Operating Supply Current		I _{DD}	1	No load, f _{OSC} = 20Hz	—	0.3	1.0	mA	
Backup Voltage		V _{QD}	—	INH = "L"	2.0	~	12	V	
Backup Current		I _{QD}	1		—	0.01	1.0	μA	
Input Voltage	"H" Level	V _{IH}	—	All input pin	V _{DD} × 0.7	~	V _{DD}	V	
	"L" Level	V _{IL}			0	~	V _{DD} × 0.3		
Input Current	"H" Level	I _{IH}	—	INH input pin	V _{IH} = V _{DD}	- 1	—	1	
	"L" Level	I _{IL}			V _{IL} = 0V	- 1	—	1	μA
Pull Up Resistor		R _{UP}	—	UP, DN, INT input pin	23	47	71	kΩ	
Volume Resistor		R _{VR}	—	Between IN→GND resistor	31	44	58	kΩ	
Analog Switch ON Resistor		R _{ON}	—	Analog switch ON resistor	—	500	800	Ω	
Attenuation Error		ΔATT	—	—	—	0	± 2.0	dB	
Balance Between Left And Right		ΔR _{VR}	—	Volume resistor error between left and right	—	0	± 3.0	%	
Total Harmonic Distortion		THD	1	f _{IN} = 1kHz V _{IN} = 1V _{rms} R _L = 100kΩ R _g = 600Ω	0dB	—	0.01	—	%
Maximum Attenuation		ATT _{MAX}			∞ dB	—	100	—	dB
Cross Talk		C·T			0dB	—	100	—	dB
Output Noise Voltage		V _N			—	—	2.0	—	μV _{rms}
OSC Frequency		f _{OSC}	1	C _X = 2.2μF, R _X = 33kΩ	—	20	—	Hz	

TEST CIRCUIT 1



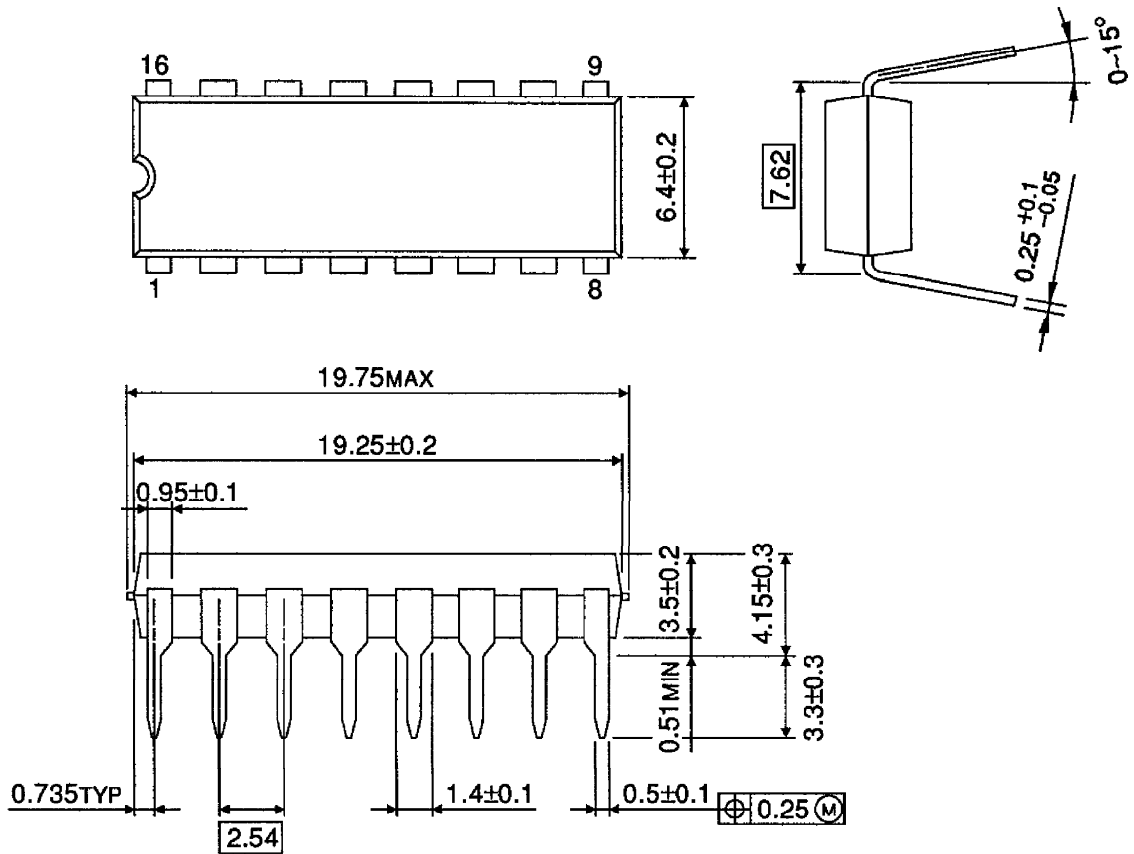
EXAMPLE OF APPLICATION CIRCUIT



(Note) Loudness circuit is left side, only volume (without loudness) circuit is right side.
 $C_1 = 1500\text{pF}$ $C_2 = 0.1\mu\text{F}$ $R = 8.2\text{k}\Omega$

OUTLINE DRAWING
DIP16-P-300-2.54A

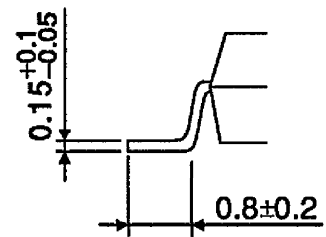
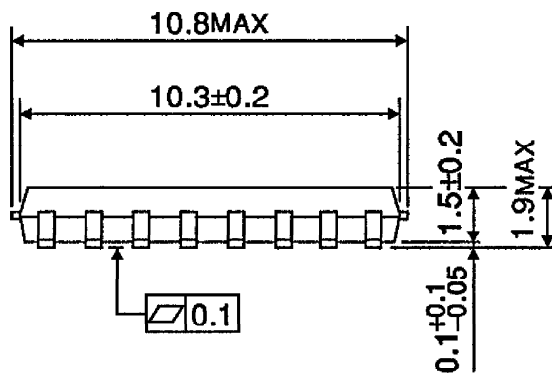
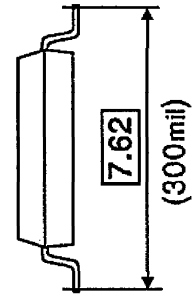
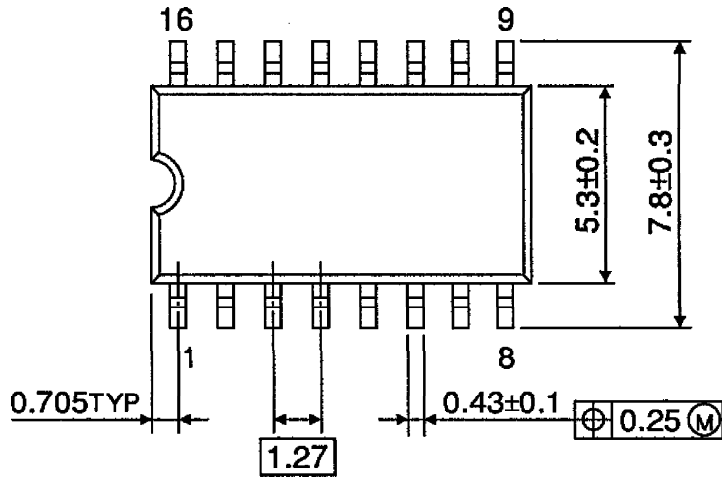
Unit : mm



Weight : 1.0g (Typ.)

OUTLINE DRAWING
SOP16-P-300-1.27

Unit : mm



Weight : 0.16g (Typ.)