

TOSHIBA BIPOLAR LINEAR INTEGRATED CIRCUIT SILICON MONOLITHIC

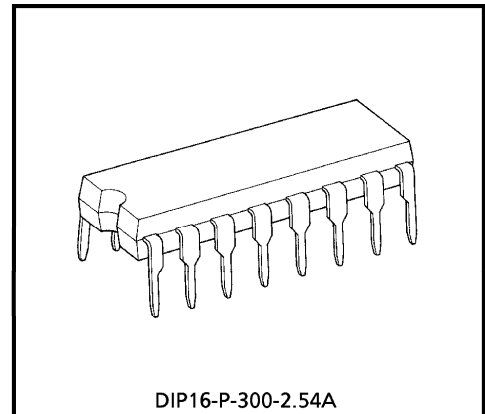
TA8173AP

SOUND FIELD REPRODUCTION IC

The TA8173AP is the sound field reproduction IC developed for use on such stereo equipment as radio cassette tape recorder, multivoice TV set. etc. This IC has made it possible to reproduce stereophonic sound with more presence by forcing difference signals of R-ch and L-ch to delay and applying these signals to R-ch and L-ch again.

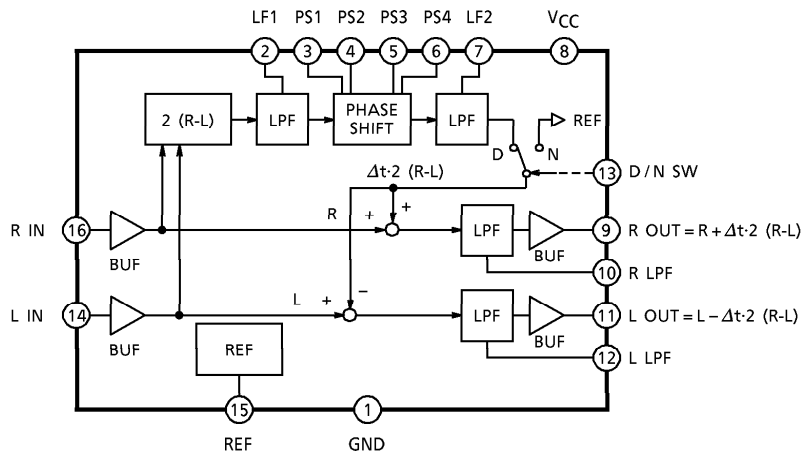
FEATURES

- Built-in 4 stages of the lagging phase filter
- Built-in NORMAL / DELAY switch
- Operating supply voltage range
 $V_{CC} (opr) = 4 \sim 12V$ ($T_a = 25^\circ C$)



Weight : 1.00g (Typ.)

BLOCK DIAGRAM



961001EBA2

- TOSHIBA is continually working to improve the quality and the reliability of its products. Nevertheless, semiconductor devices in general can malfunction or fail due to their inherent electrical sensitivity and vulnerability to physical stress. It is the responsibility of the buyer, when utilizing TOSHIBA products, to observe standards of safety, and to avoid situations in which a malfunction or failure of a TOSHIBA product could cause loss of human life, bodily injury or damage to property. In developing your designs, please ensure that TOSHIBA products are used within specified operating ranges as set forth in the most recent products specifications. Also, please keep in mind the precautions and conditions set forth in the TOSHIBA Semiconductor Reliability Handbook.
- The products described in this document are subject to foreign exchange and foreign trade control laws.
- The information contained herein is presented only as a guide for the applications of our products. No responsibility is assumed by TOSHIBA CORPORATION for any infringements of intellectual property or other rights of the third parties which may result from its use. No license is granted by implication or otherwise under any intellectual property or other rights of TOSHIBA CORPORATION or others.
- The information contained herein is subject to change without notice.

CAUTIONS FOR USE

1. D/N (delay / normal) switch

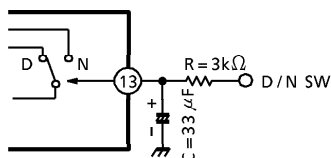
The Pin¹³ is the delay / normal mode selector switch. The delay mode / normal mode control voltage ranges are as follows :

$V_{CC} = 5V, T_a = 25^{\circ}C$

Delay Mode	$V_{13} = 2.0V \sim V_{CC}$ or open
Normal Mode	$V_{13} = 0V \sim 0.7V$

If the output pop noise is generated when the delay / Normal mode is Switched by PIN¹³, the Noise level can be reduced by smoothing current with a capacitor and resistor connected to PIN¹³ externally as shown in the test circuit diagram.

The recommended values are $C = 33\mu F$ and $R = 3k\Omega$.

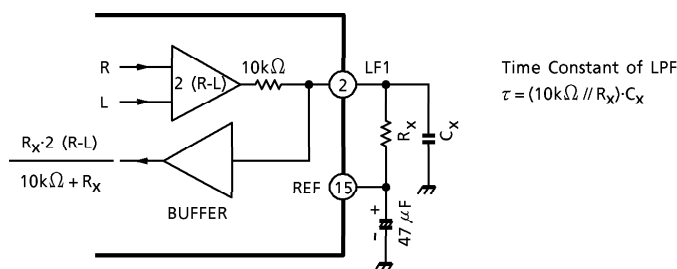


2. Delay system signal level

This IC delays phase of the difference signal (R-L) of the R (PIN¹⁶ INPUT) signal and L (PIN¹⁴ input) signal and adds it to the R and L signals again. This delay system signal level has been set at 2 (R-L) in the standard circuit. However, as it is possible to reduce this signal level by externally connected parts. Set an optimum value through a listening test, etc. as shown below.

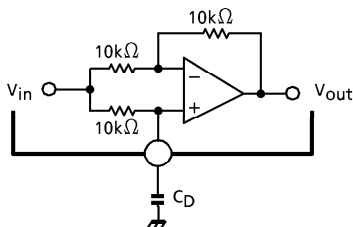
Connect a resistor from the LPF output PIN² or ⁷ to the REF PIN¹⁵ as illustrated below. As a $10k\Omega$ is seen in the LPF output PIN, it is possible to attenuate the delay system signal level by dividing resistance with the external resistor R_x .

In this case as the time constant of the LPF changes when the R_x is connected, decide the LPF's time constant by $(10k\Omega // R_x) \cdot C_x$ again after deciding the R_x .



3. Delay system signal phase delay circuit

In the phase delay circuit of this IC, 4 stages of the block shown below are connected in series. Decide a time constant by the external C_D and total phase delay by the number of stages to be used.

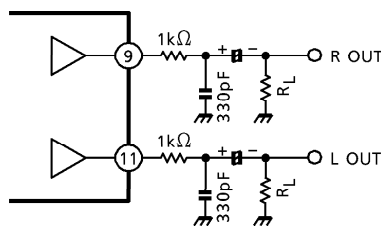


$$\frac{V_{out}}{V_{in}} = \frac{1 - j2\pi f \cdot 10k\Omega \cdot C_D}{1 + j2\pi f \cdot 10k\Omega \cdot C_D}$$

$$\phi = -2 \tan^{-1} (2\pi f \cdot 10k\Omega \cdot C)$$

4. Oscillation stability

In the test circuit diagram, the capacitor ($C = 330pF$) and the resistor ($R = 1k\Omega$) connected to the output PINS ⑨ and ⑪ consist of the LPF for preventing frequency parasitic oscillation. If this LPF is not inserted in the circuit, weak oscillation of several MHz may be generated and therefore, user is advised to surely connect this LPF.



MAXIMUM RATINGS (Ta = 25°C)

CHARACTERISTIC	SYMBOL	RATING	UNIT
Supply Voltage	V_{CC}	14	V
Power Dissipation	P_D (Note)	750	mW
Operating Temperature	T_{opr}	- 25~75	°C
Storage Temperature	T_{stg}	- 55~150	°C

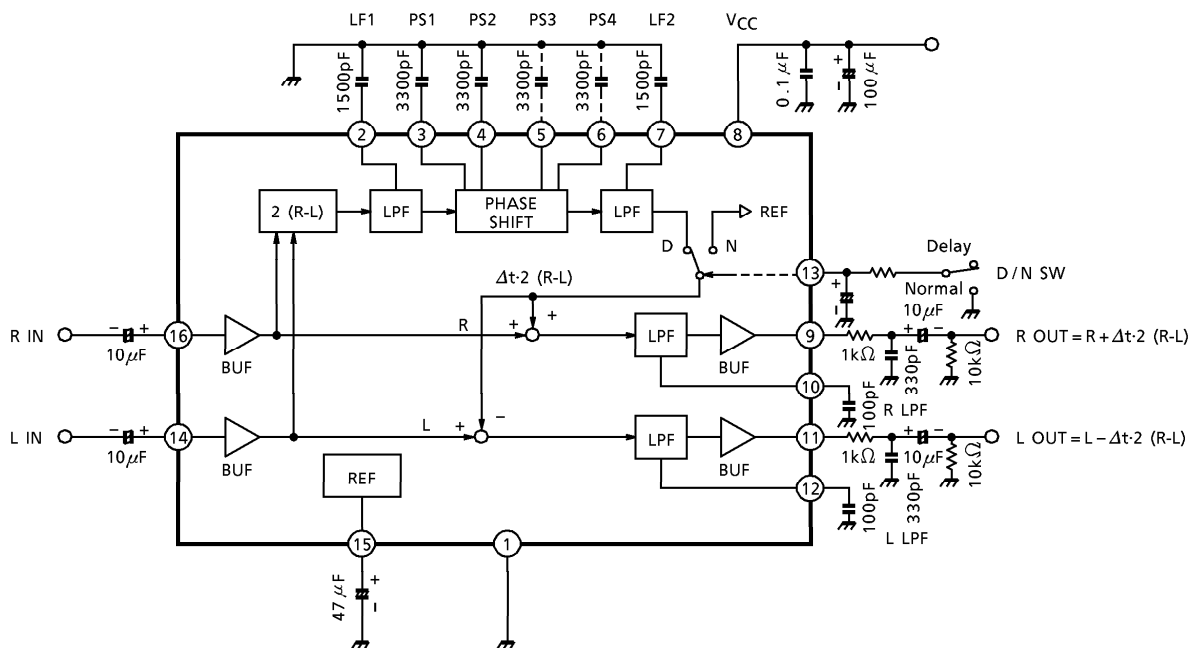
(Note) Derated above $T_a = 25^\circ C$ in the proportion of $6mW/^\circ C$.

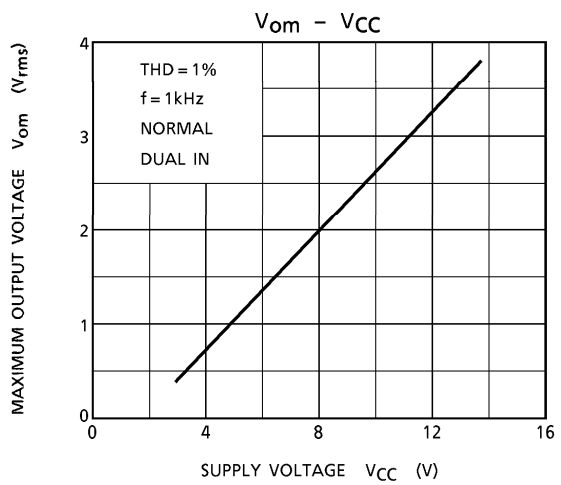
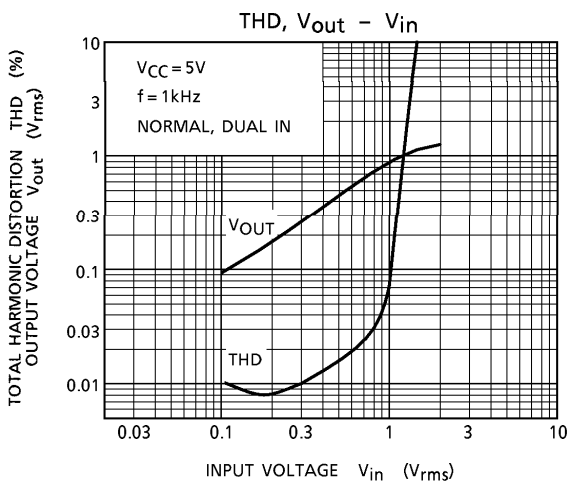
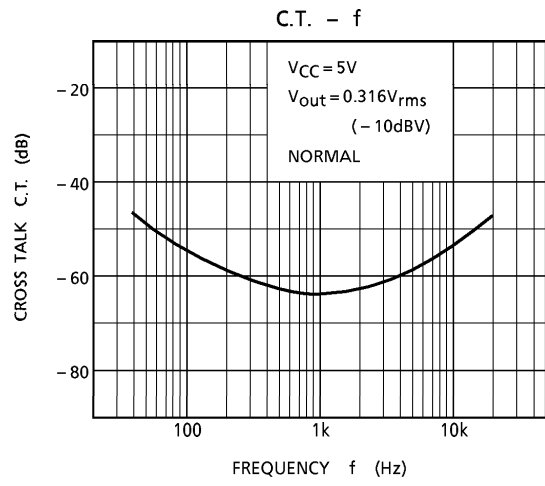
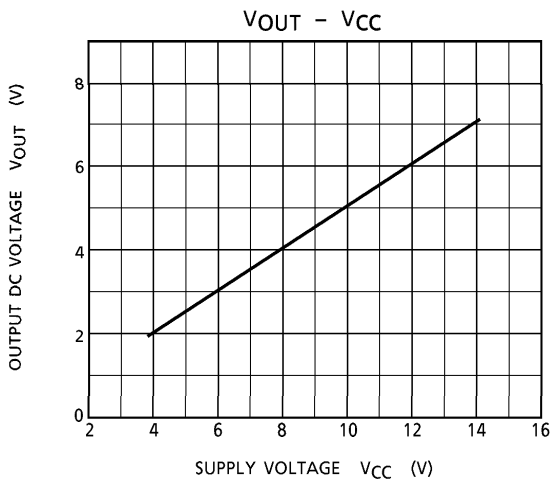
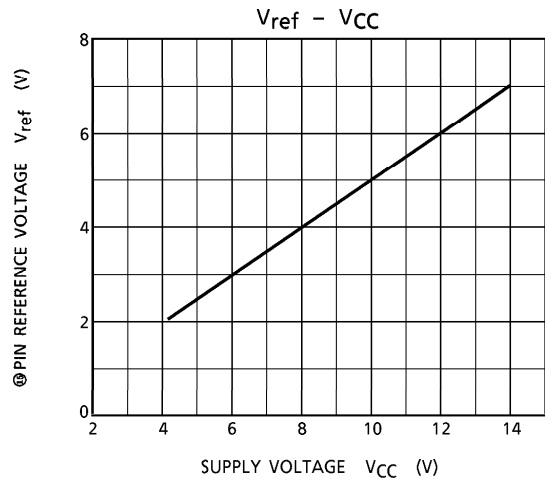
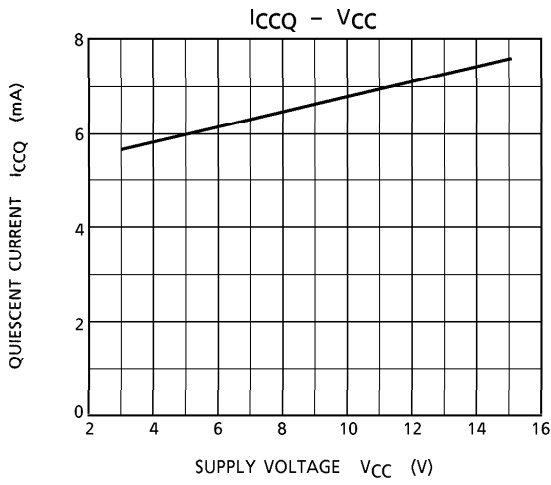
ELECTRICAL CHARACTERISTICS

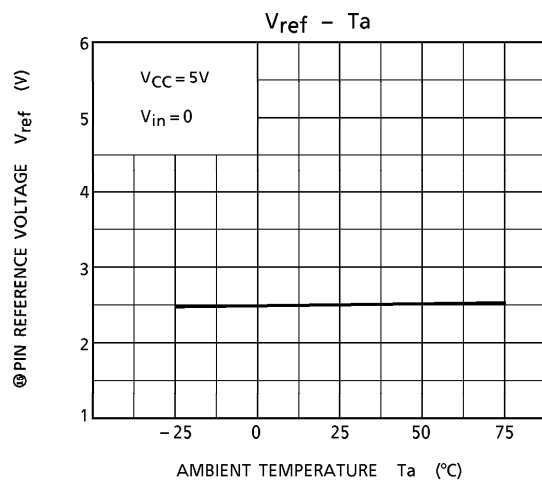
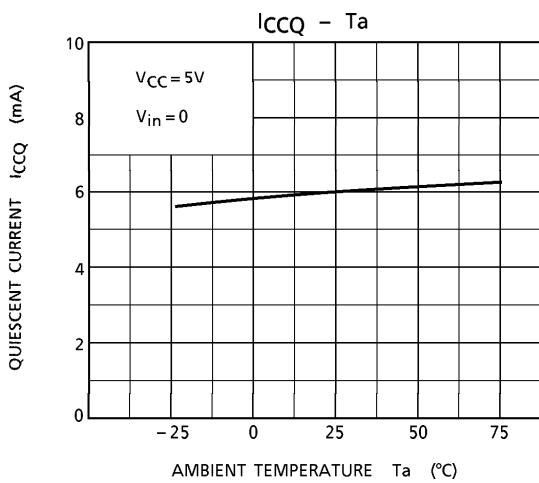
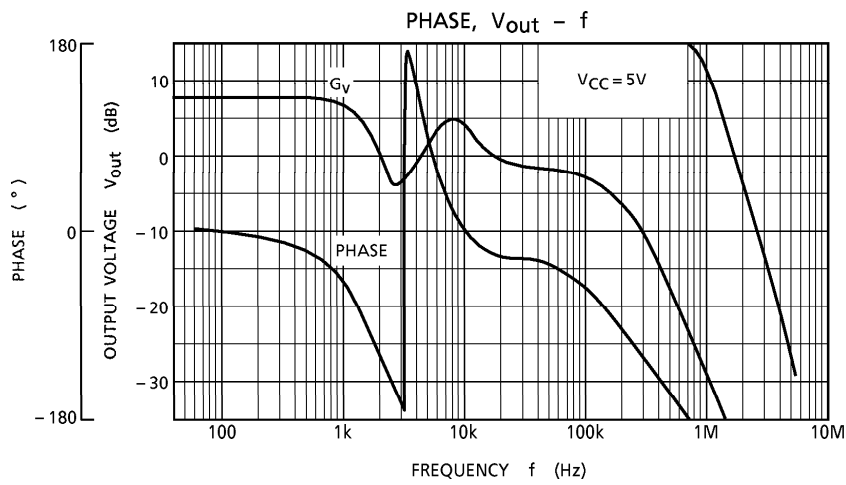
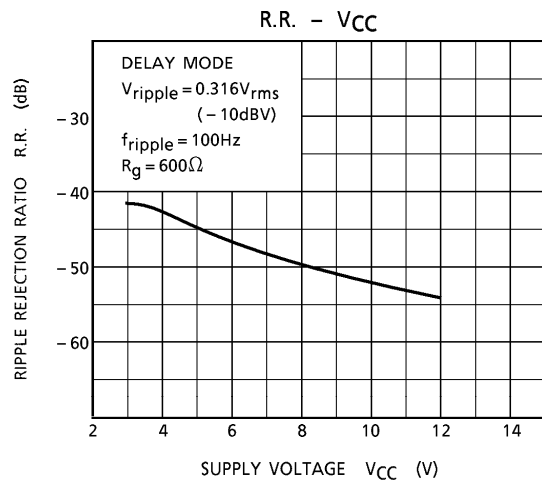
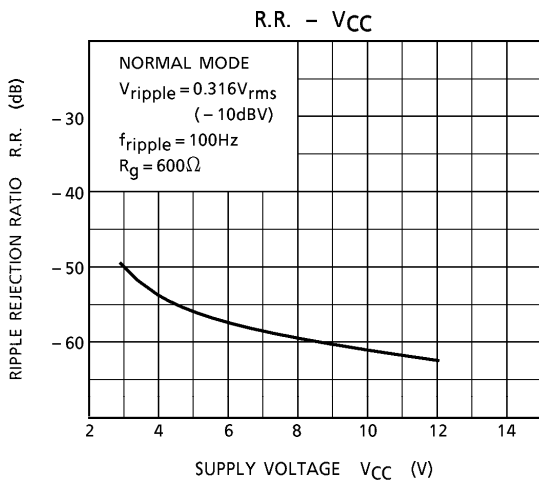
(Unless otherwise specified, $V_{CC} = 5V$, $f = 1kHz$, $R_L = 10k\Omega$, $T_a = 25^\circ C$, NORMAL MODE)

CHARACTERISTIC	SYMBOL	TEST CIRCUIT	TEST CONDITION	MIN.	TYP.	MAX.	UNIT
Quiescent Current	I_{CCQ}	—	$V_{in} = 0$	—	6	10	mA
Voltage Gain 1	G_{V1}	—	—	-3	-1	1	dB
Voltage Gain Ratio	ΔG_V	—	—	-1	0	1	dB
Voltage Gain 2	G_{V2}	—	DELAY MODE, $f = 100Hz$	6	8	10	dB
Maximum Output Voltage	V_{om}	—	THD = 1%	—	1.0	—	V_{rms}
Total Harmonic Distortion	THD	—	$V_{out} = 300mV_{rms}$	—	0.02	0.2	%
Output Noise Voltage 1	V_{no1}	—	NORMAL MODE, DIN AUDIO filter IN	—	10	40	μV_{rms}
Output Noise Voltage 2	V_{no2}	—	DELAY MODE, DIN AUDIO filter IN	— </td <td>17</td> <td>—</td> <td>μV_{rms}</td>	17	—	μV_{rms}
Channel Separation Ratio	Sep.	—	$V_{out} = 1V_{rms}$	—	-55	—	dB
Ripple Rejection 1	R.R.1	—	NORMAL MODE, $f = 100Hz$, $V_{ripple} = 0.316V_{rms} (-10dBV)$	—	-55	—	dB
Ripple Rejection 2	R.R.2	—	DELAY MODE, $f = 100Hz$, $V_{ripple} = 0.316V_{rms} (-10dBV)$	—	-45	—	dB
Input Resistance	R_{IN}	—	—	—	33	—	$k\Omega$

TEST CIRCUIT

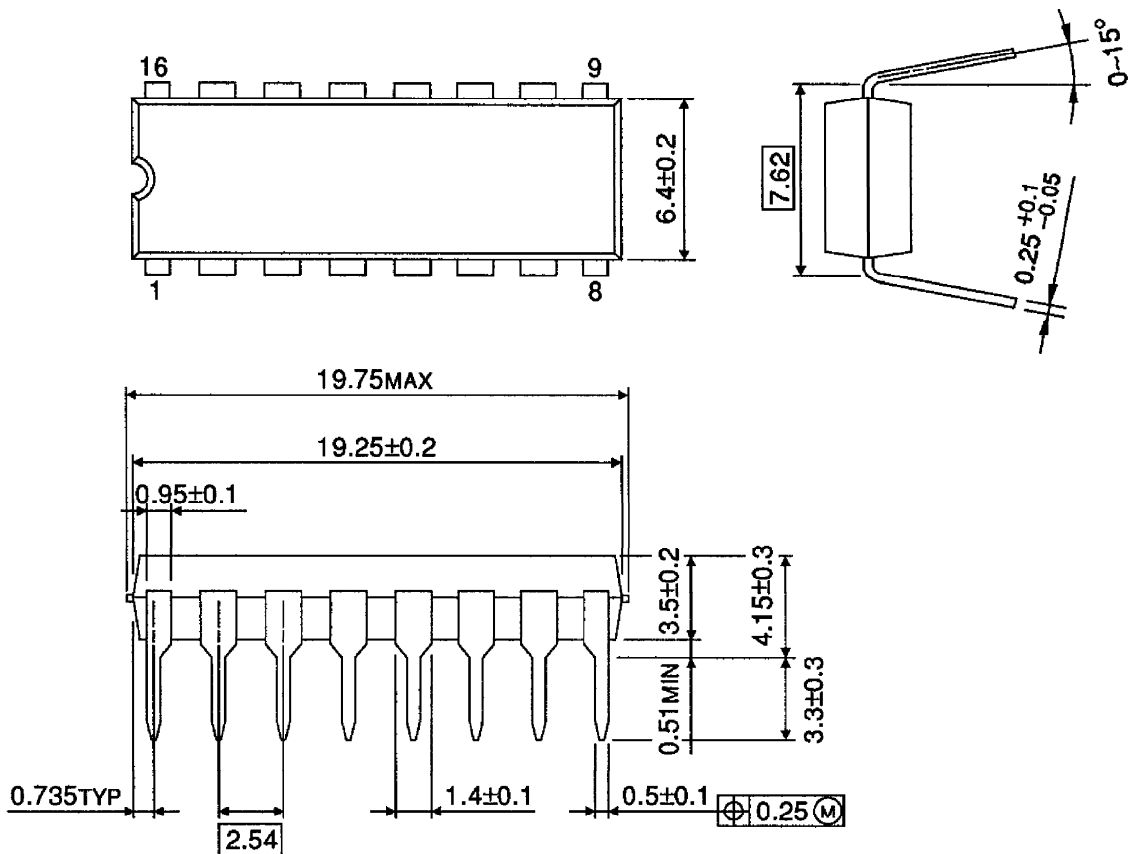






OUTLINE DRAWING
DIP16-P-300-2.54A

Unit : mm



Weight : 1.00g (Typ.)