



INTEGRATED CIRCUIT

TECHNICAL DATA

TA7680AP, TA7681AP

TOSHIBA BIPOLAR LINEAR INTEGRATED CIRCUIT
SILICON MONOLITHIC

TELEVISION PIF + SIF SYSTEM

TA7680AP....FOR FET TUNER

TA7681AP....FOR NPN TUNER

FUNCTIONS

PIF

- . Three Controlled IF Amplifier Stages
- . Video Demodulator Controlled by Picture Carrier
- . Black Noise and White Noise Inverter
- . Peak AGC
- . DC Amplifier for RF AGC Out

SIF

- . Three Differential IF Amplifier Stages
- . Phase Detector
- . DC Controlled Attenuator
- . Audio Amplifier Stage with NFB Terminal

FEATURES

- . PIF, SIF, ATT AUDIO DRIVER
- . 2 Chip Color TV System is Possible with TA7644BP

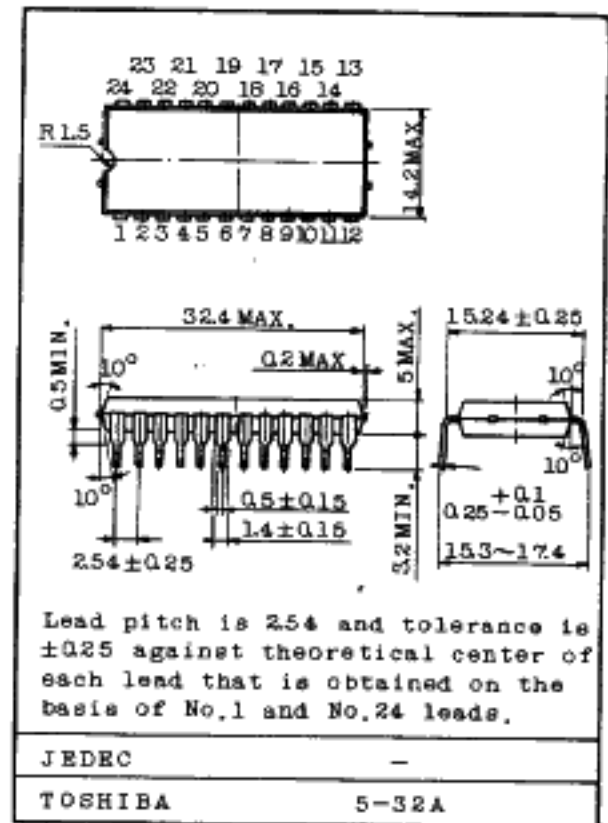
PIF

- . High Gain, Wide Band IF Amplifier
- . AGC Characteristics with Excellent Stability
- . Excellent DG/DP Characteristics
- . Excellent S/N Characteristics Due to Delayed 3 Stages AGC Action
- . Negative Video Output Signal
- . Switch Off the Video Part with VTR SW

SIF

- . Excellent Limiter Characteristics
- . Excellent Attenuator Characteristics

Unit in mm



■ 9097247 0019619 284 ■



INTEGRATED CIRCUIT

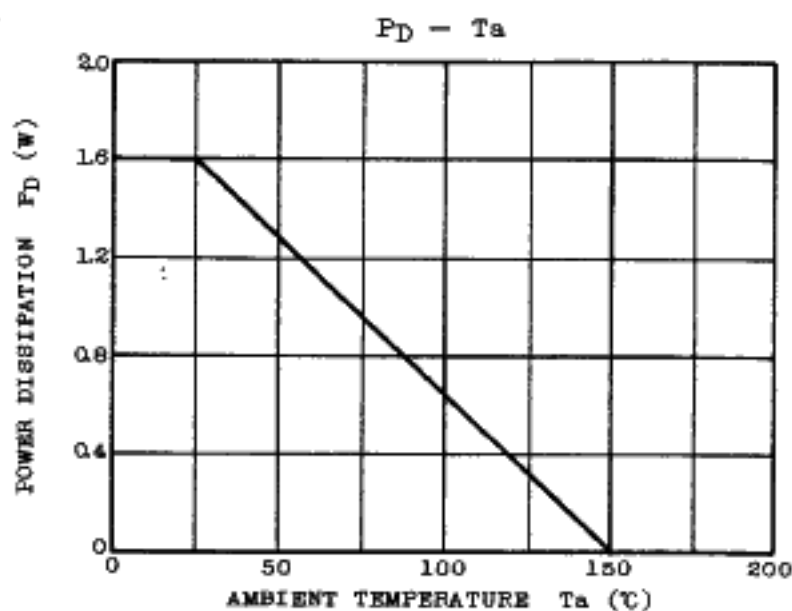
TECHNICAL DATA

TA7680AP, TA7681AP

MAXIMUM RATINGS ($T_a=25^{\circ}\text{C}$)

CHARACTERISTIC	SYMBOL	RATING	UNIT
Supply Voltage	V_{CC}	15	V
Terminal 11 Open Voltage	V_{11}	15	V
Video DC Output Current	I_{15}	6	mA
Audio DC Output Current	I_3	3	mA
Terminal 2 Voltage	V_2	15	V
Power Dissipation (Note)	P_D	1.6	W
Operating Temperature	T_{opr}	-20 ~ 65	$^{\circ}\text{C}$
Storage Temperature	T_{stg}	-55 ~ 150	$^{\circ}\text{C}$

Note : Derated above $T_a=25^{\circ}\text{C}$ in the proportion of $12.8\text{mW}/^{\circ}\text{C}$.



■ 9097247 0019620 TT6 ■

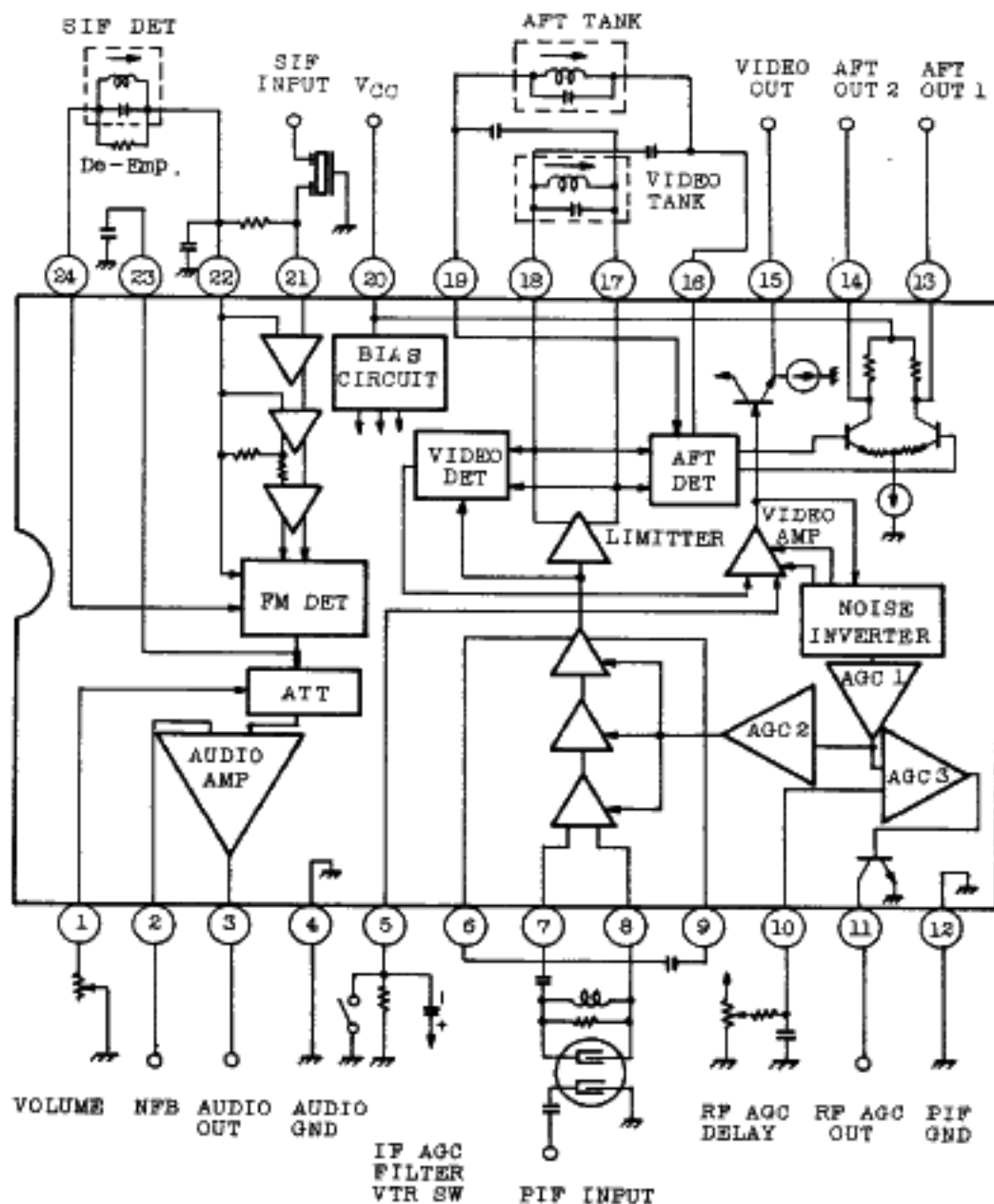


INTEGRATED CIRCUIT

TECHNICAL DATA

TA7680AP, TA7681AP

BLOCK DIAGRAM



■ 9097247 0019621 932 ■



INTEGRATED CIRCUIT

TECHNICAL DATA

TA7680AP, TA7681AP

ELECTRICAL CHARACTERISTICS ($T_a=25^{\circ}\text{C}$, $V_{CC}=12\text{V}$, $f_p=58.75\text{MHz}$, $f_s=54.25\text{MHz}$)

PIF SECTION

CHARACTERISTIC	SYMBOL	TEST CIRCUIT	TEST CONDITION	MIN.	TYP.	MAX.	UNIT
Recommended Supply Voltage	V_{CC}	-	-	10.8	12.0	13.2	V
Supply Current	I_{CC}	1	-	50	72	95	mA
Video DC Output Voltage	V_{15}	1	SW ₁ :1(TA7680AP) 2(TA7681AP) SW ₂ :2	5.2	5.5	5.8	V
AFT DC Output Voltage	V_{13}	1	SW ₁ :1(TA7680AP) 2(TA7681AP) SW ₂ :2	5.3	6.8	8.3	V
	V_{14}	1	SW ₁ :1(TA7680AP) 2(TA7681AP) SW ₂ :2	5.3	6.8	8.3	V
AFT DC Offset Voltage	ΔV_{13-14}	1	SW ₁ :1(TA7680AP) 2(TA7681AP) SW ₂ :2	-1.5	0	1.5	V
RF AGC Residual Output Voltage	$V_{11 \text{ SAT}}$	1	SW ₁ :1(TA7680AP) 2(TA7681AP) SW ₂ :2	-	-	0.5	V
RF AGC Leak Current	$I_{11 \text{ LEAK}}$	1	SW ₁ :1(TA7681AP) 2(TA7680AP) SW ₂ :1	-	-	1	μA
Video Sensitivity	v_i PIN7-8	2	(Note 1)	60	150	250	μV_{RMS}
AGC Range	ΔAPIF	2	(Note 2)	60	64	-	dB
Sync Tip Level Voltage	V_{SYNC} (V_{15})	2	(Note 3)	2.3	2.5	2.7	V
Max. IF Input Voltage	$v_{\text{IN MAX PIF}}$	2	(Note 4)	100	120	-	mV_{RMS}
White Noise Threshold Level	V_{WTH} (V_{15})	2	(Note 5)	5.8	6.2	6.6	V
White Noise Clamp Level	V_{WCL} (V_{15})	2	(Note 5)	3.7	4.1	4.5	V

1983-3-30

TOSHIBA CORPORATION

EJB-TA7680AP-4

GT1A12

9097247 0019622 879



INTEGRATED CIRCUIT

TECHNICAL DATA

TA7680AP, TA7681AP

CHARACTERISTIC		SYMBOL	TEST CIR-CUIT	TEST CONDITION	MIN.	TYP.	MAX.	UNIT
Black Noise Threshold Level		$V_{B TH}$ (V15)	2	(Note 5)	1.4	1.6	1.8	V
Black Noise Clamp Level		$V_{B CL}$ (V15)	2	(Note 5)	2.9	3.3	3.7	V
Video Frequency Response		f_{BW}	3	(Note 6)	4.5	5.5	-	MHz
Suppression of Carrier		CL	4	(Note 7)	40	50	-	dB
Suppression of 2nd Carrier		I _{2nd}	4	(Note 8)	40	50	-	dB
920kHz Beat Level		I ₉₂₀	4	(Note 9)	33	38	-	dB
Differential Phase		DP	5	(Note 10)	-	3.5	5	deg
Differential Gain		DG	5	(Note 10)	-	7	10	%
PIF Input Impedance		R _{IN} (PIF)	6	(Note 11)	1.5	3.0	6.0	kΩ
		C _{IN} (PIF)			-	3.0	10.0	pF
AFT Sensitivity		$\Delta F/V_{13-14}$	2	(Note 12)	-	16	-	kHz/V
AFT Output Voltage	Upper	V _{13U} V _{14U}	2	(Note 13)	11.7	11.9	1.20	V
	Lower	V _{13L} V _{14L}	2	(Note 13)	1.8	2.3	2.8	V
RF AGC Max. Available Current		I _{4 MAX}	1	TA7680AP SW1:1 SW2:1	0.3	-	-	mA
				TA7681AP SW1:2 SW2:1	7.0	-	-	
RF AGC Delay Setting Range		V _{IN} DELAY		(Note 14)	5	7	9	V
AFT Band Width		ΔF_W	2	(Note 13)	1.4	-	-	MHz
Video Output Voltage		V _{OUT}	2	(Note 15)	2.25	2.5	2.75	V
SIF Output Voltage		S _{OUT}	3	(Note 16)	200	400	600	mV _{rms}

9097247 0019623 705

1983-3-30

TOSHIBA CORPORATION

EJB-TA7680AP-5

GT1A12



INTEGRATED CIRCUIT

TECHNICAL DATA

TA7680AP, TA7681AP

SIF SECTION

CHARACTERISTIC	SYMBOL	TEST CIRCUIT	TEST CONDITION	MIN.	TYP.	MAX.	UNIT	
Input Limiting Voltage	$V_{IN(LIM)}$	8	(Note 17) $R_D = \infty$	-	200	400	μV_{RMS}	
AM Rejection Ratio	AMR	8	SIF IN : $f = 4.5\text{MHz}$ $f_m = 400\text{Hz}$, $\Delta f = \pm 25\text{kHz}$ AM 30%, $v_{in} = 100\text{dB}\mu$	40	45	-	dB	
Recovered Output Voltage	V_{OD}	8	SIF IN : $f = 4.5\text{MHz}$ $f_m = 400\text{Hz}$, $\Delta f = \pm 25\text{kHz}$ $v_{in} = 80\text{dB}\mu$, $R_D = 12\text{k}\Omega$	0.5	0.75	-	V_{RMS}	
Total Harmonic Distortion	THD _{DET}	8	SIF IN : $f = 4.5\text{MHz}$ $f_m = 400\text{Hz}$, $\Delta f = \pm 25\text{kHz}$ $v_{in} = 80\text{dB}\mu$	-	1.0	-	%	
Max. Audio Output Voltage	V_{OM}	8	SIF IN : $f = 4.4 \sim 4.6\text{MHz}$	4.0	-	-	V_{P-P}	
SIF Input Impedance	$R_{IN(SIF)}$	7	$f = 4.5\text{MHz}$	10.0	20.0	30.0	k Ω	
	$C_{IN(SIF)}$			-	3.0	-	pF	
DET Output Impedance	$R_{O(DET)}$	9	(Note 18)	10.0	15.0	20.0	k Ω	
DC Voltage	Terminal 21	V_{21}	SW ₁ :1 (TA7680AP) 2 (TA7681AP)	3.5	4.4	5.3	V	
	Terminal 23	V_{23}		4.8	6.0	7.2	V	
	Terminal 1	V_1	SW ₂ :2	6.0	6.7	7.4	V	
Max. Attenuation	ATT MAX	10	(Note 19)	60	-	-	dB	
DC Volume Gain	$G_{ATT MIN}$	10	$R_A = 0$ $G_{ATT MIN} = 20 \log \frac{v_2}{v_{23}}$	4	6	8	dB	
ATT Characteristics	1	$V_1(1)$	10	*	3.4	3.8	4.2	V
	2	$V_1(2)$	10	**	4.5	4.9	5.3	V
Signal Leakage	v_{PT}	11	(Note 20)	-	1.0	3.0	mV _{RMS}	
AF Amp. Gain	$G_V AF$	13	(Note 21)	-	20	-	dB	
AF Amp. Distortion	THD AF	12	$P_{23A} = 1V_{PP}$, 400Hz SW ₃ :ON ATT:-26dB Setting	-	1.5	-	%	
AF Amp. Max. Output Voltage	$v_{OAF MAX}$	13	(Note 21) THD _{AF} 5%	1.5	2.0	-	V_{RMS}	
AF Output DC Voltage	V_3	1	SW ₁ :1 (TA7680AP) 2 (TA7681AP) SW ₂ :2	6.7	7.7	8.8	V	

* Read the 400Hz component of V_{A1} at P₂ with $R_A = 0$. Set R_A so that $V_{A1}' = \frac{1}{2} V_{A1}$ (-6dB), then read DC voltage of terminal 1 (V_1).

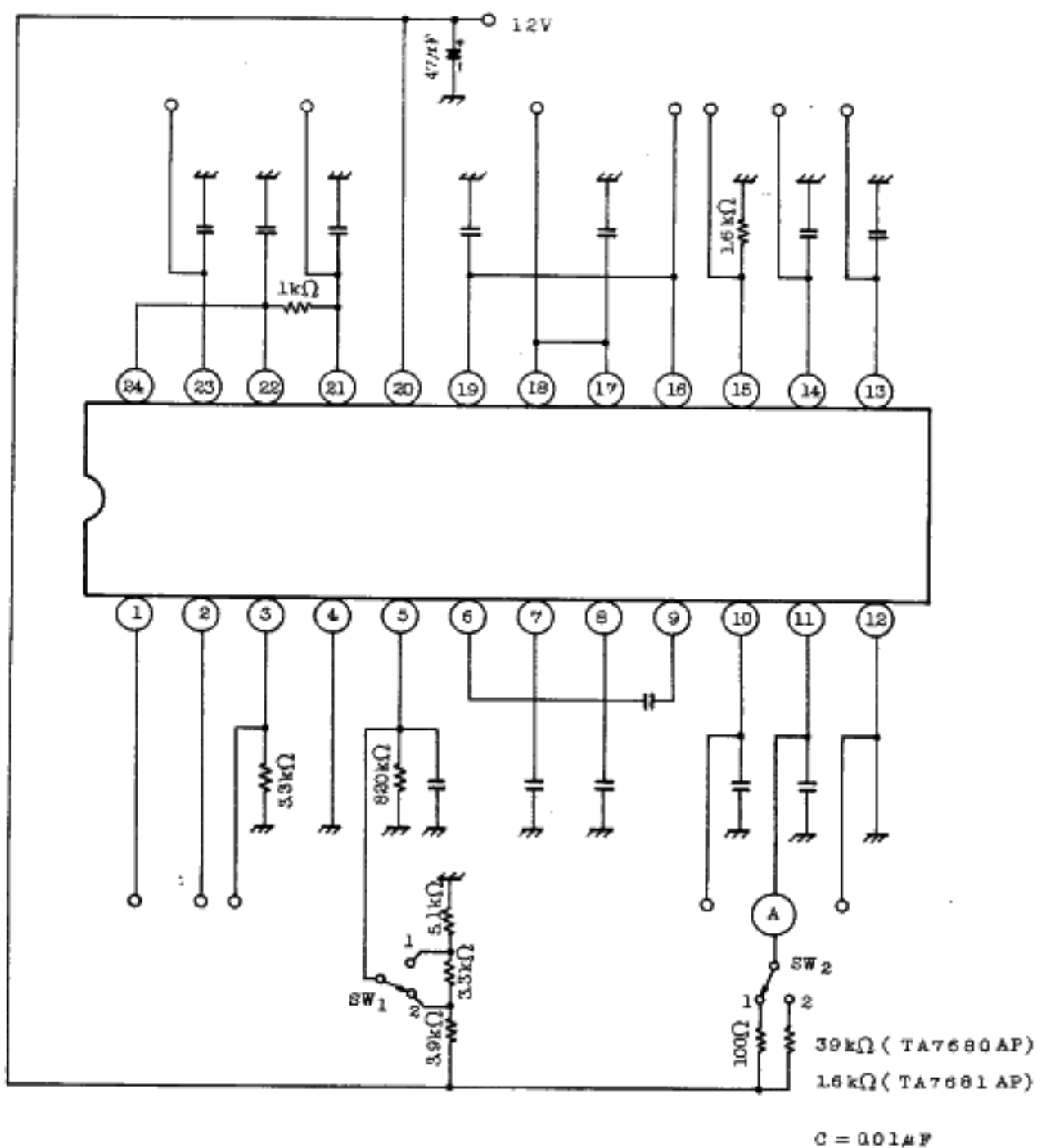
** Read the 400Hz component of V_{A1} at P₂ with $R_A = 0$. Set R_A so that $V_{A1}' = 3.16 \times 10^{-3} V_{A1}$ (-50dB) then read DC voltage of terminal 1 (V_1).

7097247 0019624 641



TEST CIRCUIT

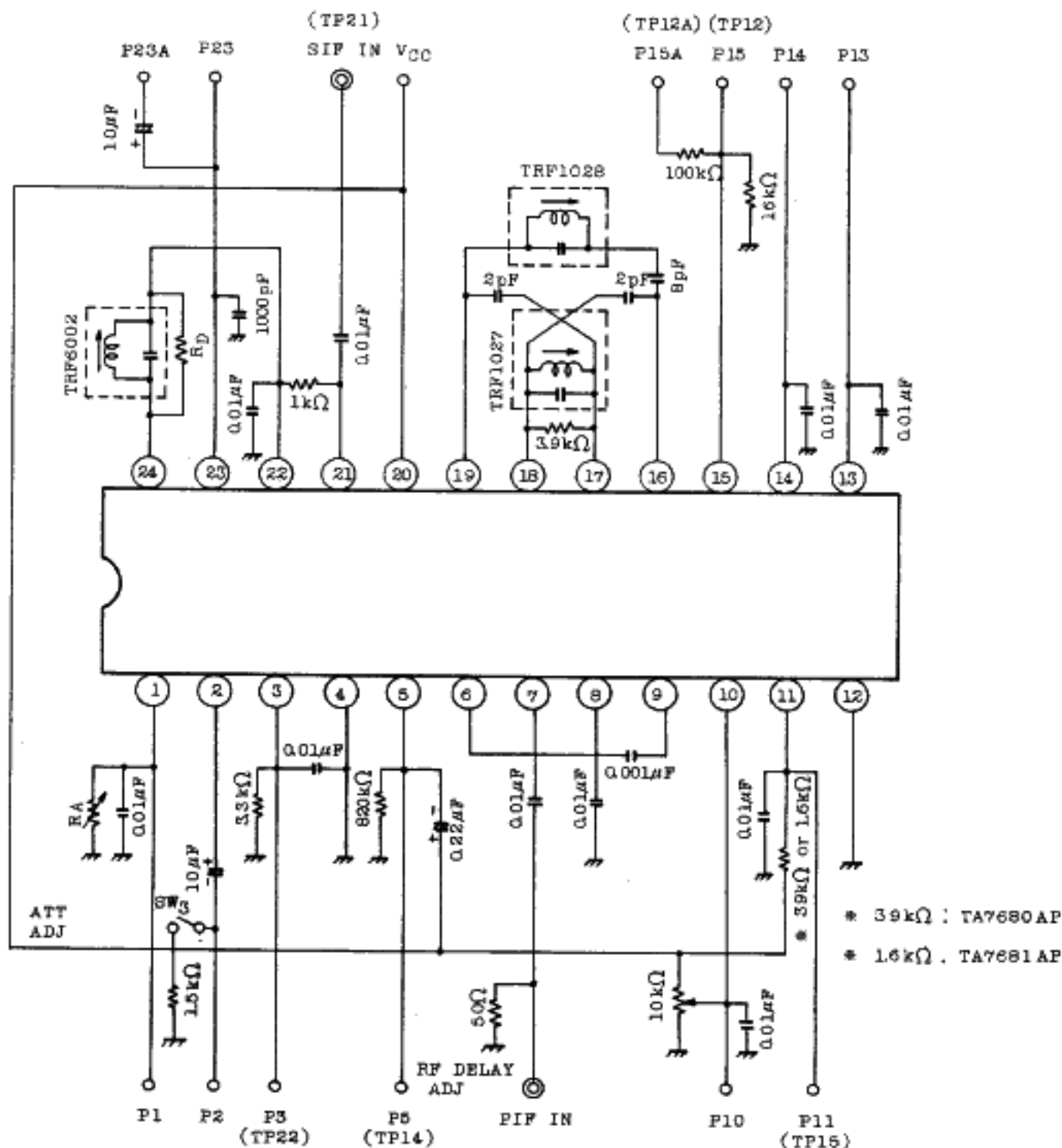
1. DC CHARACTERISTIC



9097247 0019625 588



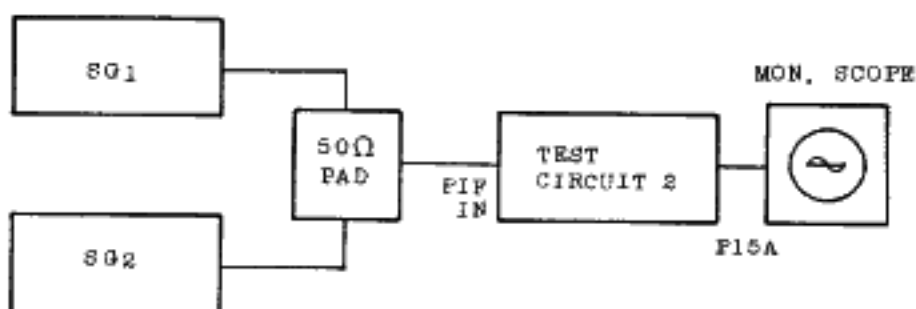
2. AC CHARACTERISTIC



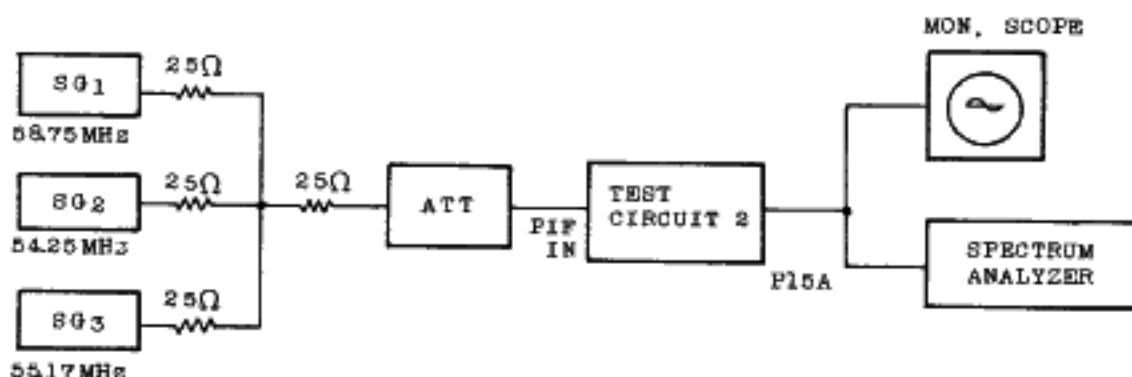
9097247 0019626 414



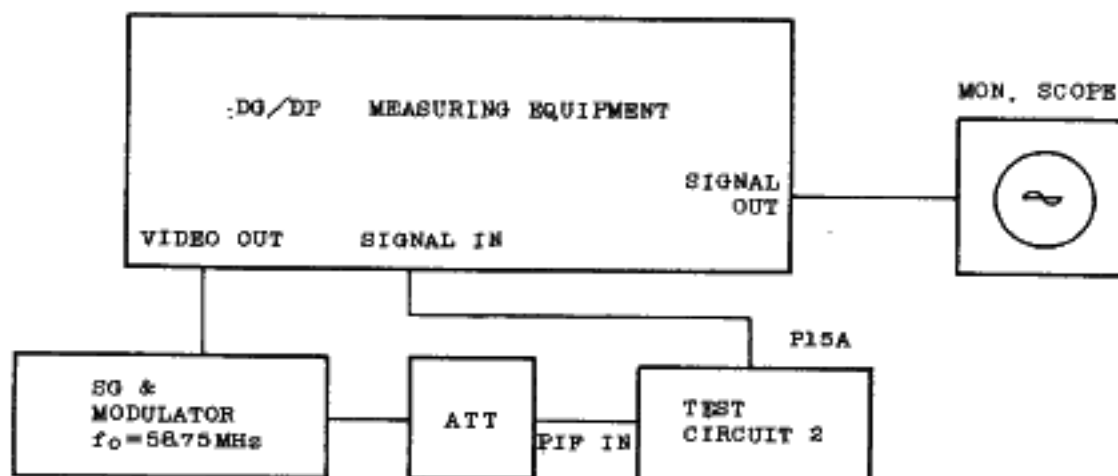
3. VIDEO FREQUENCY RESPONSE AND SIF OUTPUT VOLTAGE



4. INTER MODULATION



5. DG, DP



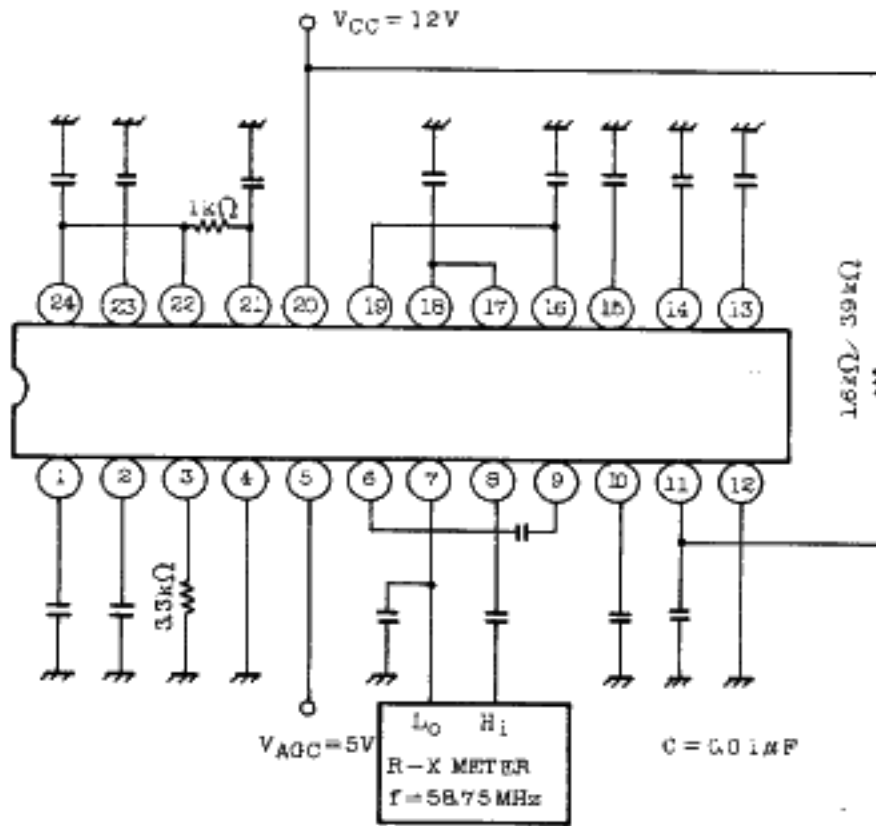
APL=50%

ATT : ADJUST SYNC TIP LEVEL TO DC 25V

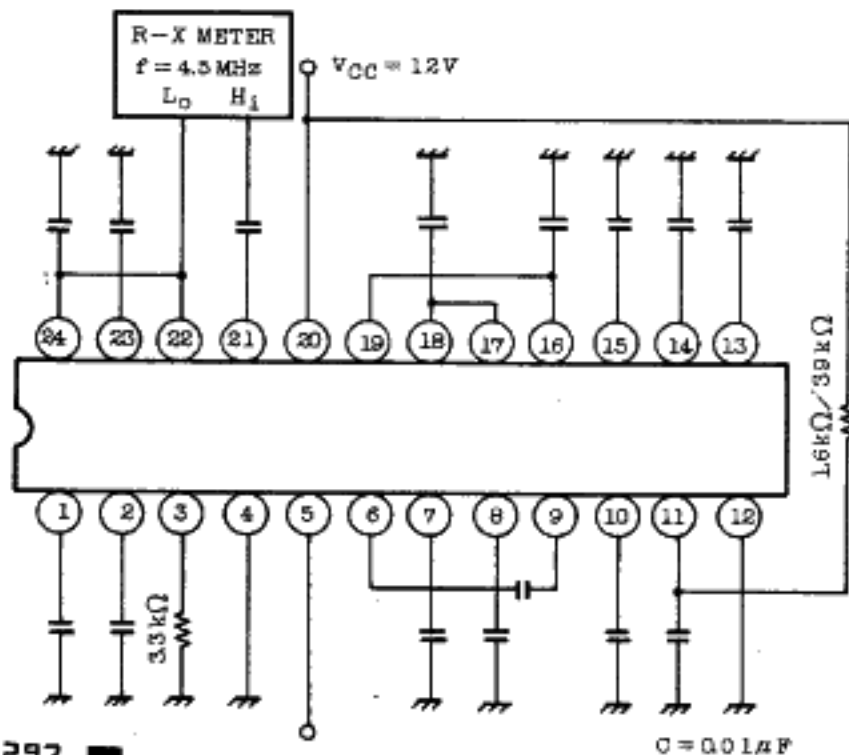
■ 9097247 0019627 350 ■



6. PIF INPUT IMPEDANCE



7. SIF INPUT IMPEDANCE



9097247 0019628 297

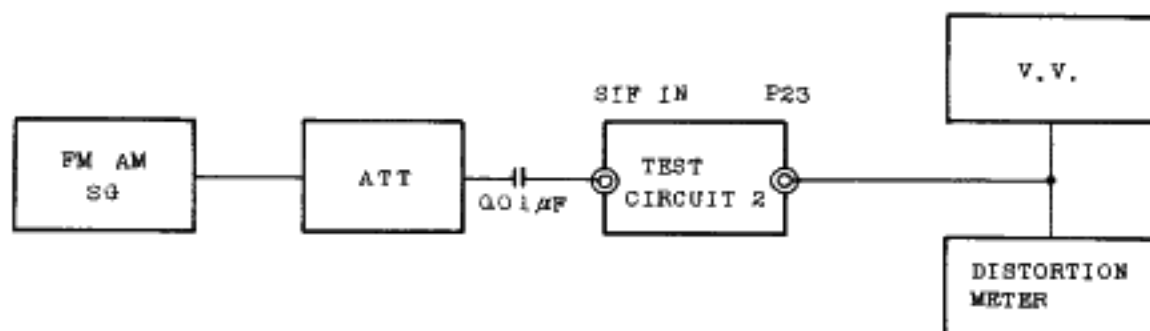
1983-3-30

TOSHIBA CORPORATION

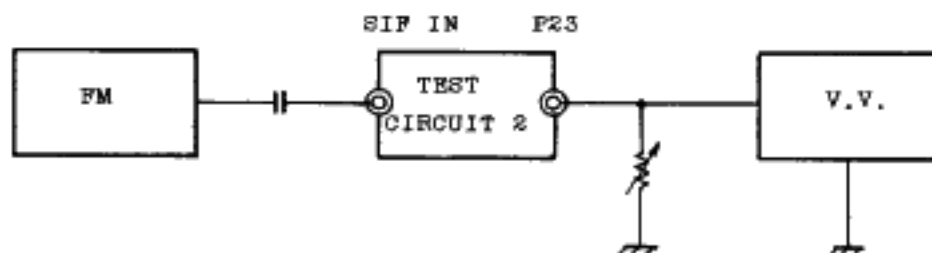
EJB-TA7680AP-10



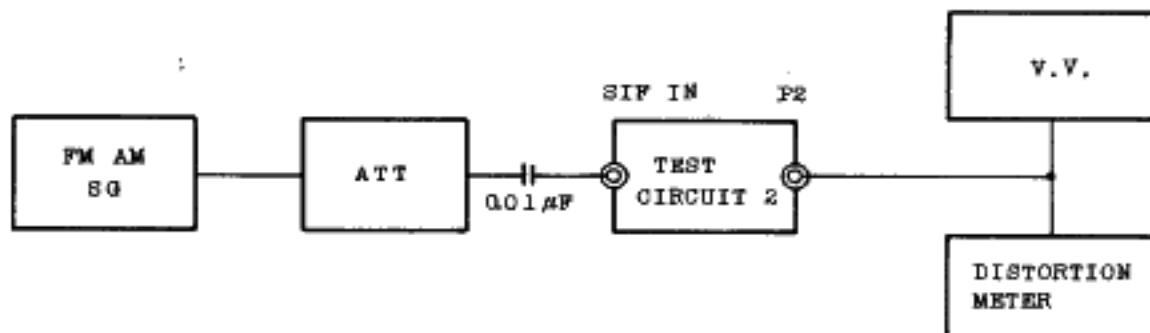
8. $V_{IN(LIM)}$, AMR, V_{OD} , THD, V_{OM}



9. AUDIO OUTPUT IMPEDANCE



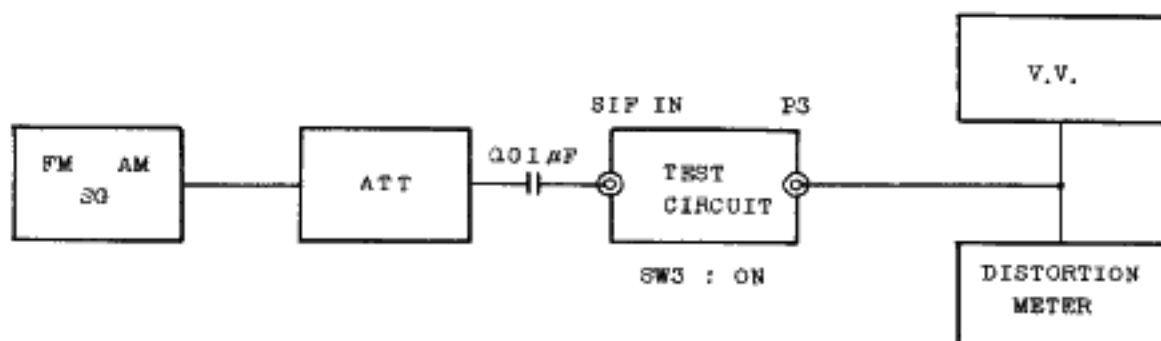
10. ATT MAX., G_{ATT} MIN, $V_1(1)$, $V_1(2)$



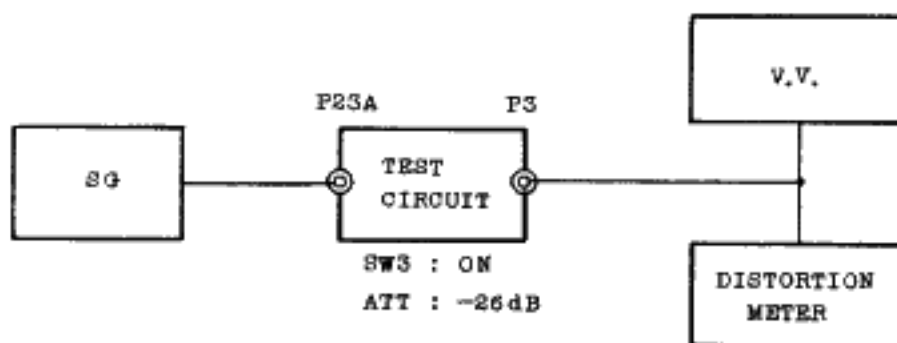
■ 9097247 0019629 123 ■



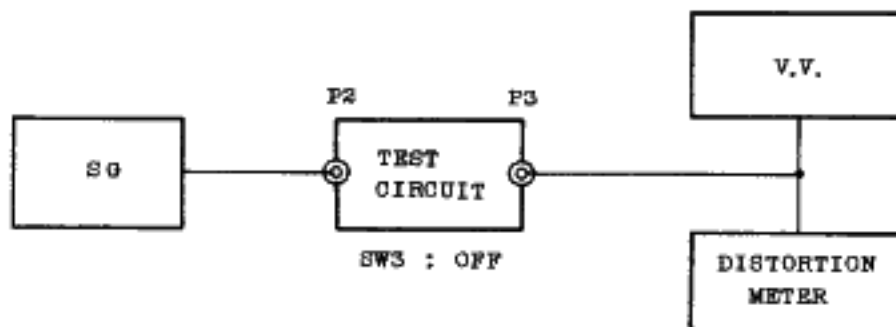
11. v_{PT}



12. THD_{AF}



13. $G_v AF, v_{OAF MAX}$

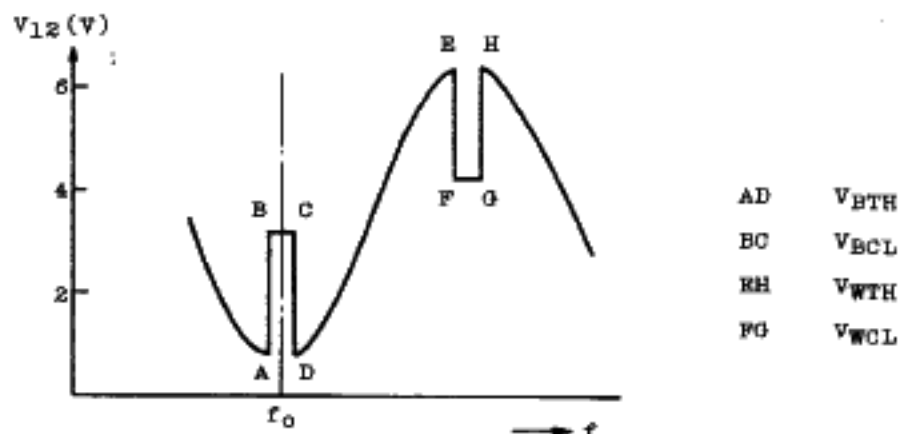


9097247 0019630 945



TEST CONDITION

- Note 1) V_{AGC} (P5 EXT. Applying Voltage)=11.5V
PIF IN ; $f=58.75\text{MHz}$ 1kHz 30% AM Modulation.
Adjust PIF Input Level v_i so that the detected output of P15A with high impedance probe will be $0.8V_{p-p}$ and measure the Input Level.
- Note 2) $V_{AGC}=4V$
Measure PIF Input Level v_i' same as NOTE 1
$$\Delta A = 20 \log \frac{v_i'}{v_i} \quad (\text{dB})$$
- Note 3) PIF IN ; $f=58.75\text{MHz}$ CW $15mV_{rms}$
Measure DC level of P15
- Note 4) PIF IN ; $f=58.75\text{MHz}$ APL 100%, 87.5% AM modulation.
P5 : open
(1) Adjust PIF Input Level $50mV_{p-p}$ and measure the detected output level v_{01p-p}
(2) Then increase the Input Level so that the detected output level will be $1.1 \times v_{01p-p}$ and measure the Input Level.
- Note 5) $V_{AGC}=8V$
PIF IN ; $f=58.75\text{MHz} \pm 10\text{MHz}$ variable or sweep $15mV_{rms}$ measure DC level of P15.





- Note 6) $V_{AGC}=8V$ ($GR \approx 30dB$)
SG₁ : 58.75MHz CW
SG₂ : 58.65~40MHz Variable
(1) Setting output of SG₁ so that DC level of P15 will be 4.0V
(2) Setting output of SG₂ (58.65MHz) so that AC level of P15 will be 0.5V_{p-p}
(3) Decreasing frequency of SG₂ until AC level of P15 will be 0.35V_{p-p} (-3dB of 0.5V_{p-p}) then read $f_{SG2}=F$
 $f_{BW}=58.75-F$ MHz
- Note 7) SG₁ ; 58.75MHz, 1kHz 80% AM modulation 100mV_{rms}
SG₂, SG₃ ; OFF
Setting V_{AGC} so that output AC level of P15 will be 2.7V_{p-p}
Measure CL of P15 after setting to 0% AM of SG₁
$$CL = 20 \log \frac{2.7}{v_{CR}(V_{p-p})} \quad (dB)$$
- Note 8) Measure I_{2nd} of P15 same as NOTE 7
- Note 9) $V_{AGC}=8V$
SG₁ ; 58.75MHz (P; Picture) 100mV_{rms}
SG₂ ; 54.25MHz (S; Sound) 32mV_{rms} (-10dB of SG₁)
SG₃ ; 55.17MHz (C; Chroma) 32mV_{rms} (-10dB of SG₁)
(1) Setting V_{AGC} so that the output tip level (lower) of P15 will be 3.0V DC
(2) Measure the level difference (dB) between c-level and 920kHz level
- Note 10) $V_{AGC}=8V$
PIF IN ; f=58.75MHz Video Signal (ramp) 87.5% AM 100mV_{p-p}
Setting ATT so that the sync tip level of P15 will be 2.5V DC
Measure DP and DG.
- Note 11) $V_{AGC}=5V$ f=58.75MHz
Measure R_{IN}, C_{IN}

■ 9097247 0019632 718 ■



Note 12) AFT Sensitivity $\Delta F/\Delta(V_{13}-V_{14})$

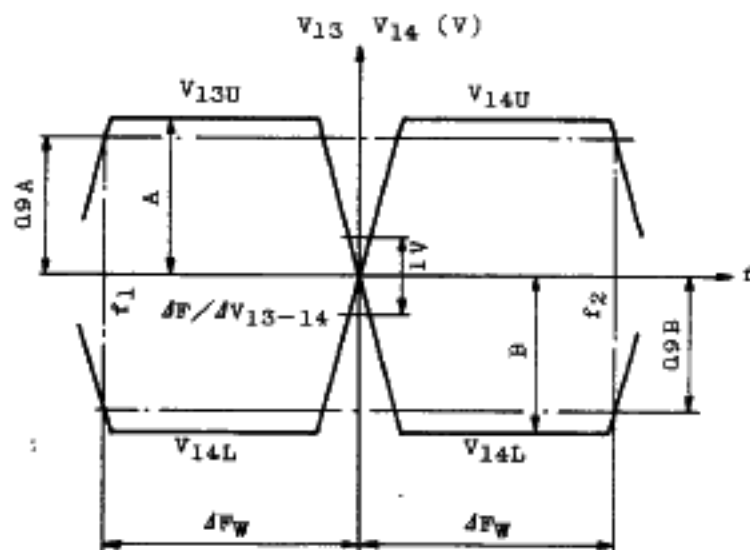
- (1) INT, AGC (P5 Open)
- (2) PIF Input ; 58.75MHz ± 1.0 MHz, CW 15mV_{rms}
- (3) Read the frequency (f_1) of PIF when $V_{13}-V_{14}=-1$ V
- (4) Read the frequency (f_2) of PIF when $V_{13}-V_{14}=1$ V

Then calculate

$$\Delta F/\Delta(V_{13}-V_{14})=|f_1-f_2|$$

Note 13) ΔF_W , V_{13U} , V_{14U} , V_{13L} , V_{14L}

- (1) INT AGC (P5 Open)
- (2) PIF IN ; 58.75MHz ± 10 MHz CW 15mV_{rms}
- (3) 8pF at Pin 16 should be shorted
- (4) Read the frequency (f_1 or f_2) when the V_5 or V_6 reduced to 90% level of A or B with varying the frequency. Then band width is the difference from center frequency (f_0).



Note 14) P5 : Open

PIF IN ; 58.75MHz CW 20mV_{rms}

- (1) Adjust the voltage of terminal 3 so that the voltage of terminal 4 will be 6.0V DC
- (2) Measure the terminal voltage 3



Note 15) P5 : Open

PIF IN ; 58.75MHz 100% APL 87.5% AM modulation signal amplitude 50mV_{p-p}
Measure detected output voltage (White peak to sync Tip)

Note 16) P5 : Open

SG₁ ; 58.75MHz CW 100mV_{rms}

SG₂ ; 54.25MHz CW 25mV_{rms}

Measure SIF (4.5MHz) output voltage at P15

Note 17) SIF IN ; f=4.5MHz FM f_{MOD}=400Hz Δf=±25kHz

(1) Adjust SIF Input Level 100mV_{p-p} and measure the detected output level
V_{OS}

(2) Then decrease the Input Level so that the detected output level will
be 3dB down of V_{OS} and measure the Input Level

Note 18) Output Impedance

(1) SIF IN ; f=4.5MHz, f_{MOD}=400Hz, Δf=±25kHz, 80dBμ

(2) AT P23 read the V_{O1} at R_X=∞, then read the R_X when recovered output
become V_{O1}/2 with varying the R_X.

The R_X is the output impedance.

Note 19) ATT MAX.

(1) SIF IN ; f=4.5MHz, f_{MOD}=400Hz, Δf=±25kHz, 80dBμ

(2) Read the 400Hz component of V_{A1} at P2 with R_A=0, then read V_{A1}'
with R_A=∞.

$$\text{ATT MAX} = 20 \log \frac{V_{A1}}{V_{A1}'}$$

Note 20) V_{PT}

(1) SIF IN ; f=4.5MHz, f_{MOD}=400Hz, Δf=±25kHz, 80dBμ

(2) Read the 400Hz component at P3

Note 21) G_v AF

(1) Apply 400Hz 0.1V_{rms} signal to P2

(2) Read the output voltage at P3

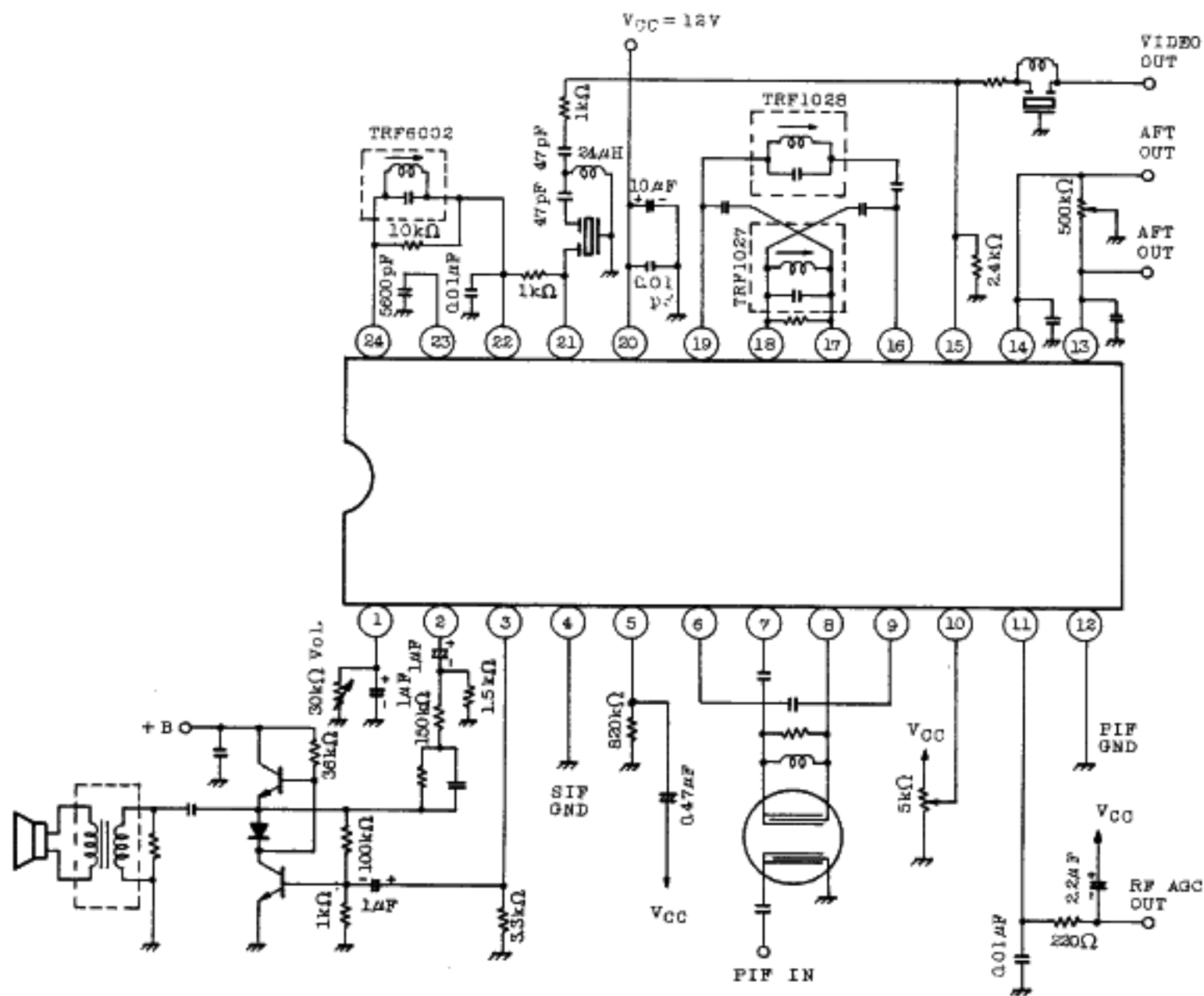


INTEGRATED CIRCUIT

TECHNICAL DATA

TA7680AP, TA7681AP

APPLICATION CIRCUIT



1983-3-30

GT1A12

TOSHIBA CORPORATION

9097247 0019635 427

EJB-TA7680AP-17