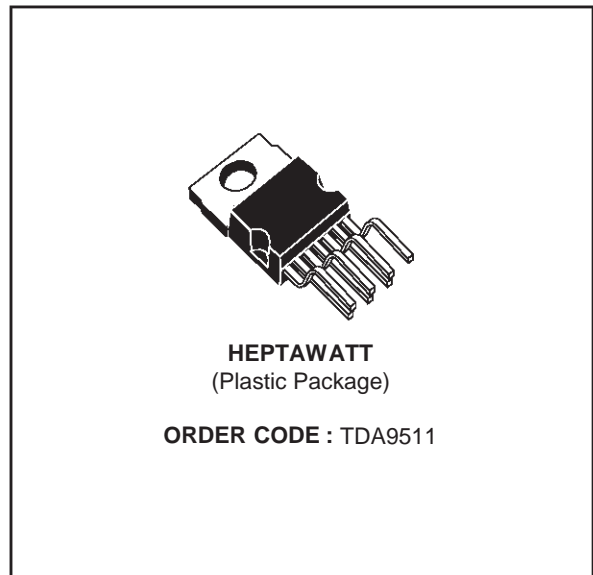


DC COUPLING HIGH VOLTAGE VIDEO AMPLIFIER

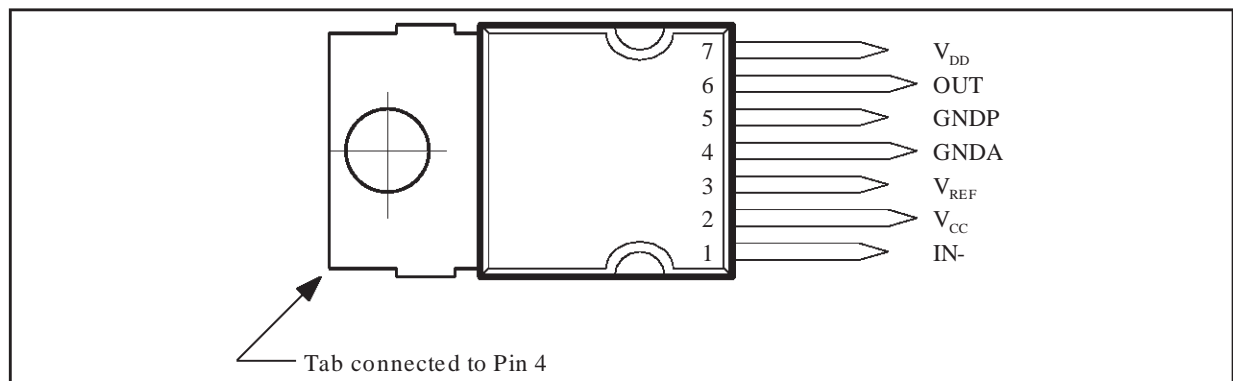
- BANDWIDTH : 40MHz TYPICAL
- RISE AND FALL TIME : 9ns TYPICAL
- SUPPLY VOLTAGE : 110V
- POWER DISSIPATION : 3.0W
- ESD PROTECTED

DESCRIPTION

The TDA9511 is a video amplifier designed with a high voltage Bipolar/CMOS/DMOS technology (BCD). It drives in DC coupling mode one cathode of a monitor and is protected against flashovers. It is available in Heptawatt package.



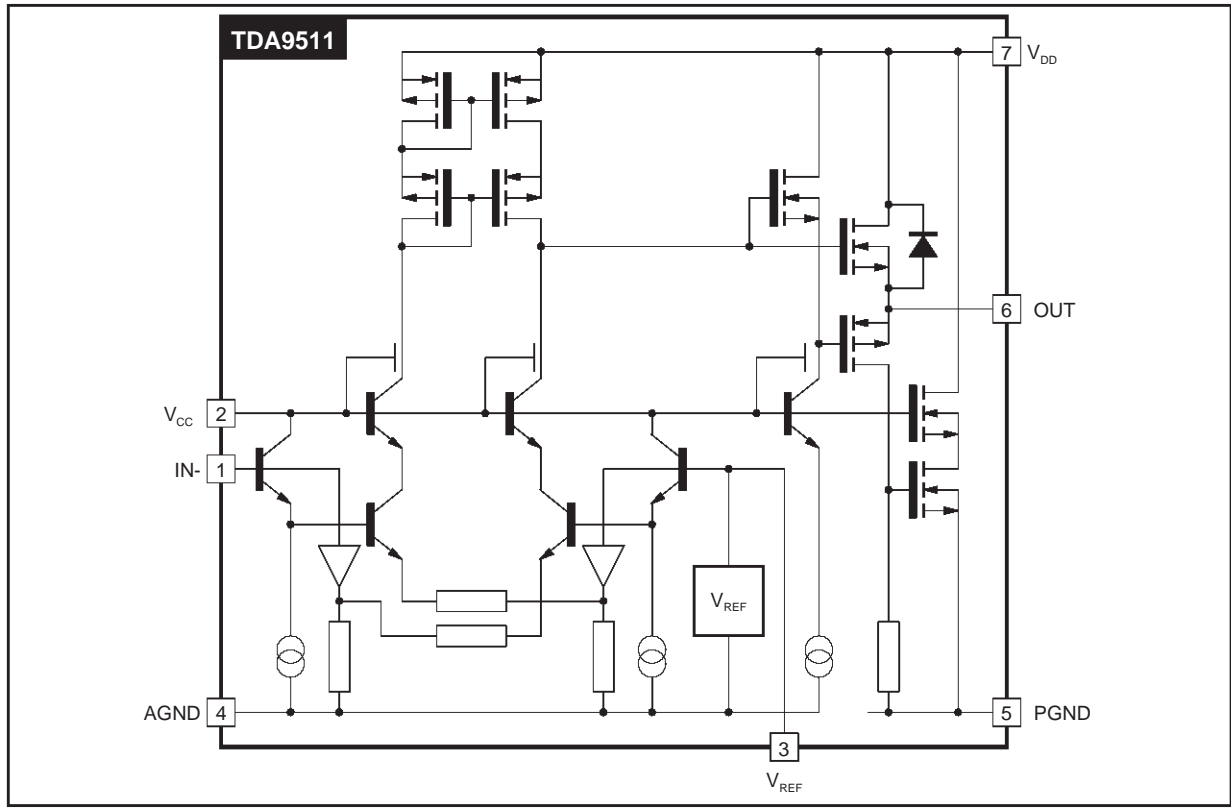
PIN CONNECTIONS



PIN CONFIGURATION

Pin N	Symbol	Function
1	IN-	Input of the amplifier
2	V _{CC}	Low Voltage Power Supply (12V Typ.)
3	V _{REF}	Internal Voltage Reference (3.3V)
4	GNDA	Analog Ground
5	GNDP	Power Ground
6	OUT	Output driving the cathode
7	V _{DD}	High Voltage Power Supply (110V Max.)

BLOCK DIAGRAM



9511-02.EPS

ABSOLUTE MAXIMUM RATINGS

Symbol	Parameter	Value	Unit
V _{DD}	Supply High Voltage (Pin 7)	120	V
V _{CC}	Supply Low Voltage (Pin 2)	20	V
VESD	ESD Susceptibility Human Body Model, 100pF Discharge through 1.5kΩ EIAJ Norm, 200pF Discharge through 0Ω	2	kV
		300	V
I _{OD}	Output Current to V _{DD} (Pin 6)	protected	
I _{OG}	Output Current to Ground (Pin 6) (see Note 1)	80	mA
I _j	Input Current (Pin 1)	50	mA
T _j	Junction Temperature	150	°C
T _{oper}	Operating Ambient Temperature	0, +70	°C
T _{stg}	Storage Temperature	-20, +150	°C

Note 1 : Pulsed current t ≤ 50μs

9511-02.TBL

THERMAL DATA

Symbol	Parameter	Value	Unit
R _{th(j-c)}	Junction-Case Thermal Resistance	Max. 3	°C/W
R _{th(j-a)}	Junction-Ambient Thermal Resistance	Typ. 70	°C/W

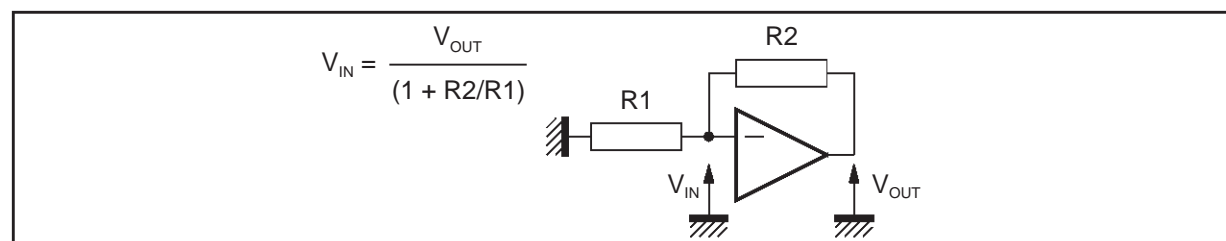
9511-03.TBL

ELECTRICAL CHARACTERISTICS ($V_{CC} = 12V$, $V_{DD} = 110V$, $T_{amb} = 25^{\circ}C$, unless otherwise specified)

Symbol	Parameter	Test Conditions	Min.	Typ.	Max.	Unit
V_{DD}	High Supply Voltage (Pin 7)		20		110	V
V_{CC}	Low Supply Voltage (Pin 2)		10	12	15	V
I_{DD}	DC Current of High Voltage Supply (without feedback current)	$V_{OUT} = 60V$		9		mA
I_{CC}	Low Voltage Supply Internal DC Current			15		mA
V_{REF}	Internal Reference (Pin 3)			3.2		V
V_{IN}	Input Voltage	$V_{OUT} = 60V$		3.25		V
dV_{IN}/dV_{CC}	Drift of Input Voltage versus V_{CC}	Measured on Pin 1		0.12		%
dV_{IN}/dT	Drift of Input Voltage versus Temperature			0.5		mV/ $^{\circ}C$
V_{SATH}	High Output Saturation Voltage (Pin 6)	$I_O = -60mA$		$V_{DD} - 8.5$		V
V_{SATL}	Low Output Saturation Voltage (Pin 6)	$I_O = 60mA$		12		V
ELin	Linearity Error	$17V < V_{OUT} < V_{DD} - 15V$			5	%
OS	Overshoot			5		%
BW	Bandwidth at -3dB	Measured on CRT cathodes. $C_{LOAD} = 10pF$, $R_{protect} = 220\Omega$, $V_{OUT} = 60V$, $\Delta V_{OUT} = 20V_{PP}$, Feedback gain = 20		40		MHz
t_R, t_F	Rise and Fall Time	Measured between 10% & 90% of output pulse, $C_{LOAD} = 10pF$, $R_{protect} = 220\Omega$, $V_{OUT} = 60V$, $\Delta V_{OUT} = 40V_{PP}$		9		ns
G_O	Open Loop Gain	$V_{OUT} = 60V$		60		dB
	Open Loop Gain Temperature Coefficient			0.03		dB/ $^{\circ}C$
I_{IB}	Input Bias Current (Pin 1)	$V_{OUT} = 60V$		20	30	μA
	Input Bias Temperature Coefficient			90		nA/ $^{\circ}C$
R_{IN}	Input Resistance	See Note 2		200		k Ω

Note 2 : Characterized and not tested.

Figure 1 : Measurement of Input Voltage



TYPICAL APPLICATION

The TDA9511 consists of :

- A differential amplifier with active load,
- A DMOS output buffer,
- A bandgap voltage reference (Pin 3 for filtering only).

PC board lay-out

The best performances are obtained with a carefully designed HF PC-Board, especially for the output and input capacitors.

The feedback resistor R_F must have a low parasitic capacitor ($C_F < 0.3pF$).

This parasitic capacitor C_F must be compensated by a capacitor $R3$ (roughly $20 \cdot C_F$) connected in parallel with the input resistor $R1$.

The full bandwidth of the device is only obtained with well matched compensation otherwise the application will have either an integrator response with a low bandwidth or a differentiator response with too much ringing.

A diode D_P (see Figure 2) has to be connected for flashover protection.

Power dissipation

The power dissipation consists of a static part and a dynamic part. The static dissipation varies with the output voltage and the feedback resistor. The dynamic power dissipation increases with the pixel frequency.

For a signal frequency of 40MHz and 40V_{PP} output signal, the typical power dissipation is about 3.0W, for $V_{DD} = 110V$.

In first approximation, the dynamic dissipation is :

$$P_D = V_{DD} \cdot C_{LOAD} \cdot \Delta V_{OUT} \cdot f$$

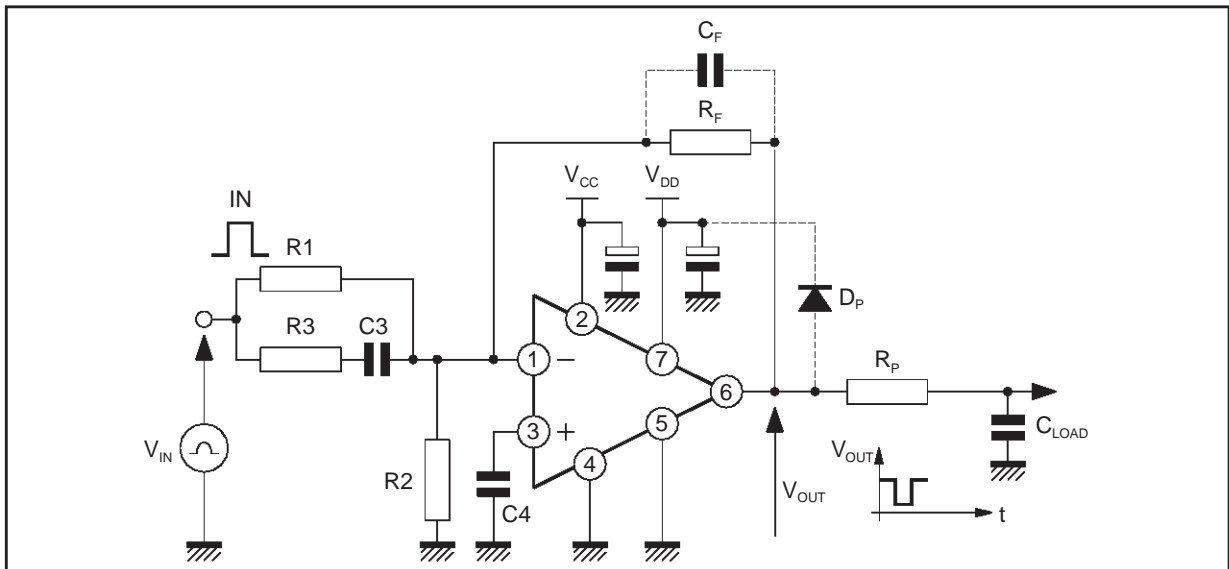
and the total dissipation is :

$$P = V_{DD} \cdot C_{LOAD} \cdot \Delta V_{OUT} \cdot f + V_{DD} \cdot I_{DD} + V_{CC} \cdot I_{CC} - (V_{DD} - \overline{V_{OUT}}) \frac{\overline{V_{OUT}}}{R_{FEEDBACK}}$$

with $f =$ pixel frequency

$$P = 110V \times 10pF \times 40V \times 40MHz + 110V \times 7mA + 12 \times 20mA - 60^2V/20k\Omega = 2.95W$$

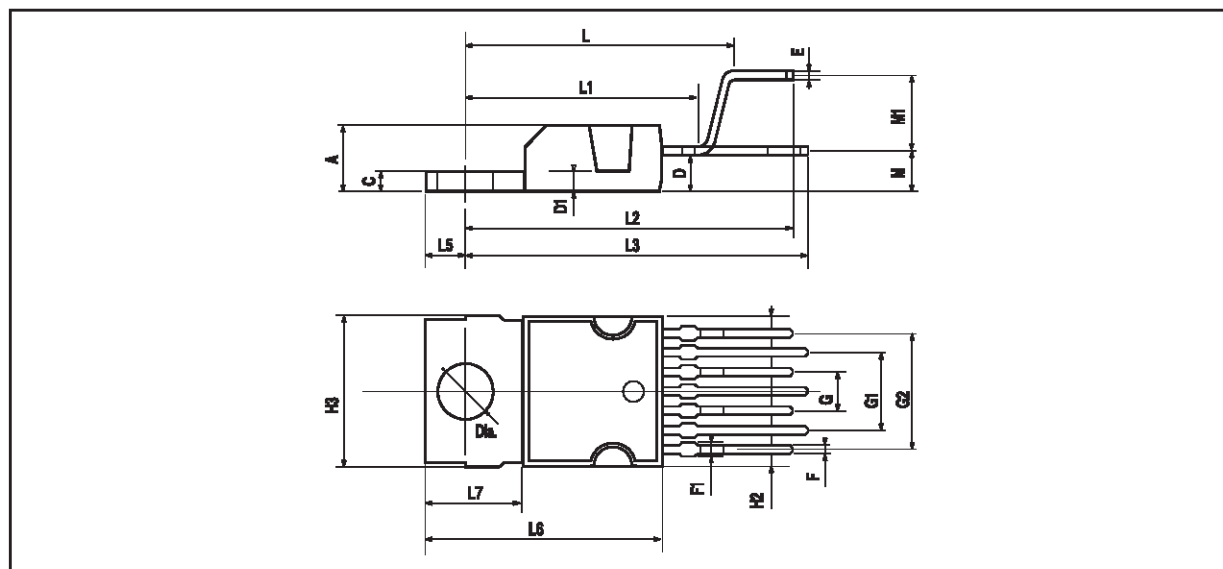
Figure 2 : Typical Evaluation Schematic



Recommended values :

- $R1 = 1k\Omega$, $R2 = 1.8k\Omega$, $R_F = 20k\Omega$, $R_P = 200\Omega$,
- $C4 > 10nF$, $C3 = 10$ to $12pF$ for $C_F \# 0.5pF$.
- $R3 \# 150\Omega$.

PACKAGE MECHANICAL DATA : 7 PINS - PLASTIC HEPTAWATT



PM-HEPTV.EPS

Dimensions	Millimeters			Inches		
	Min.	Typ.	Max.	Min.	Typ.	Max.
A			4.8			0.189
C			1.37			0.054
D	2.4		2.8	0.094		0.110
D1	1.2		1.35	0.047		0.053
E	0.35		0.55	0.014		0.022
F	0.6		0.8	0.024		0.031
F1			0.9			0.035
G	2.41	2.54	2.67	0.095	0.100	0.105
G1	4.91	5.08	5.21	0.193	0.200	0.205
G2	7.49	7.62	7.8	0.295	0.300	0.307
H2			10.4			0.409
H3	10.05		10.4	0.396		0.409
L		16.97			0.668	
L1		14.92			0.587	
L2		21.54			0.848	
L3		22.62			0.891	
L5	2.6		3	0.102		0.118
L6	15.1		15.8	0.594		0.622
L7	6		6.6	0.236		0.260
M		2.8			0.110	
M1		5.08			0.200	
Dia.	3.65		3.85	0.144		0.152

HEPTV.TBL

Information furnished is believed to be accurate and reliable. However, SGS-THOMSON Microelectronics assumes no responsibility for the consequences of use of such information nor for any infringement of patents or other rights of third parties which may result from its use. No licence is granted by implication or otherwise under any patent or patent rights of SGS-THOMSON Microelectronics. Specifications mentioned in this publication are subject to change without notice. This publication supersedes and replaces all information previously supplied. SGS-THOMSON Microelectronics products are not authorized for use as critical components in life support devices or systems without express written approval of SGS-THOMSON Microelectronics.

© 1998 SGS-THOMSON Microelectronics - All Rights Reserved

Purchase of I²C Components of SGS-THOMSON Microelectronics, conveys a license under the Philips I²C Patent. Rights to use these components in a I²C system, is granted provided that the system conforms to the I²C Standard Specifications as defined by Philips.

SGS-THOMSON Microelectronics GROUP OF COMPANIES

Australia - Brazil - Canada - China - France - Germany - Italy - Japan - Korea - Malaysia - Malta - Morocco
The Netherlands - Singapore - Spain - Sweden - Switzerland - Taiwan - Thailand - United Kingdom - U.S.A.