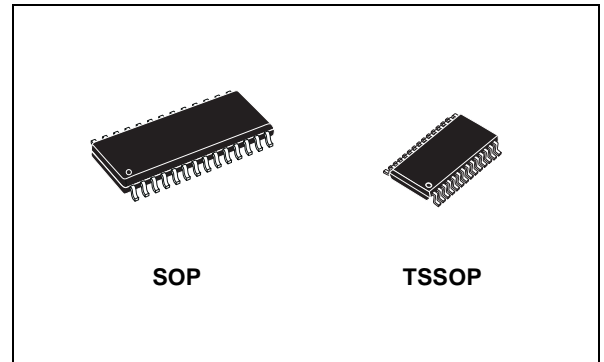


SMARTCARD INTERFACE

PRODUCT PREVIEW

- IC CARD INTERFACE
- 3 OR 5 V SUPPLY FOR THE IC (V_{DD} AND GND)
- THREE SPECIFICALLY PROTECTED HALF-DUPLEX BI-DIRECTIONAL BUFFERED I/O LINES TO CARD CONTACTS C4, C7 AND C8
- DC/DC CONVERTER FOR V_{CC} GENERATION SEPARATELY POWERED FROM A $5\text{ V} \pm 20\%$ SUPPLY (V_{DDP} AND PGND)
- 3 OR 5 V $\pm 5\%$ REGULATED CARD SUPPLY VOLTAGE (V_{CC}) WITH APPROPRIATE DECOUPLING HAS THE FOLLOWING CAPABILITIES:
 - $I_{CC} < 80\text{ mA}$ at $V_{DDP} = 4\text{ to }6.5\text{ V}$
 - HANDLES CURRENT SPIKES OF 40 nAS UP TO 20MHz
 - CONTROLS RISE AND FALL TIMES
 - FILTERED OVERLOAD DETECTION AT APPROXIMATELY 120 mA
- THERMAL AND SHORT-CIRCUIT PROTECTION ON ALL CARD CONTACTS
- AUTOMATIC ACTIVATION AND DEACTIVATION SEQUENCES; INITIATED BY SOFTWARE OR BY HARDWARE IN THE EVENT OF A SHORT-CIRCUIT, CARD TAKE-OFF, OVERHEATING, V_{DD} OR V_{DDP} DROP-OUT
- ENHANCED ESD PROTECTION ON CARD SIDE (>6 kV)
- 26 MHz INTEGRATED CRYSTAL OSCILLATOR
- CLOCK GENERATION FOR CARDS UP TO 20 MHz (DIVIDED BY 1, 2, 4 OR 8 THROUGH CLKDIV1 AND CLKDIV2 SIGNALS) WITH SYNCHRONOUS FREQUENCY CHANGES



- NON-INVERTED CONTROL OF RST VIA PIN RSTIN
- ISO 7816, GSM11.11 AND EMV (PAYMENT SYSTEMS) COMPATIBILITY
- SUPPLY SUPERVISOR FOR SPIKE-KILLING DURING POWER-ON AND POWER-OFF AND POWER-ON RESET (THRESHOLD FIXED INTERNALLY OR EXTERNALLY BY A RESISTOR BRIDGE)
- BUILT-IN DEBOUNCE ON CARD PRESENCE CONTACTS
- ONE MULTIPLEXED STATUS SIGNAL $\overline{\text{OFF}}$

DESCRIPTION

The ST8024 is a complete low cost analog interface for asynchronous 3V and 5V smart cards. It can be placed between the card and the microcontroller with few external components to perform all supply protection and control functions. ST8024 is a direct replacement of ST8004.

Main applications are: smartcard readers for Set Top Box, IC card readers for banking, identification, Pay TV.

Table 1: Order Codes

Type	Temperature Range	Package	Comments
ST8024CD	-25 to 85 °C	SO-28 (Tube)	27 parts per tube / 12 tube per box
ST8024CDR	-25 to 85 °C	SO-28 (Tape & Reel)	1000 parts per reel
ST8024CTR (*)	-25 to 85 °C	TSSOP28 (Tape & Reel)	2500 parts per reel

(*) Available on Request.

Figure 1: Block Diagram

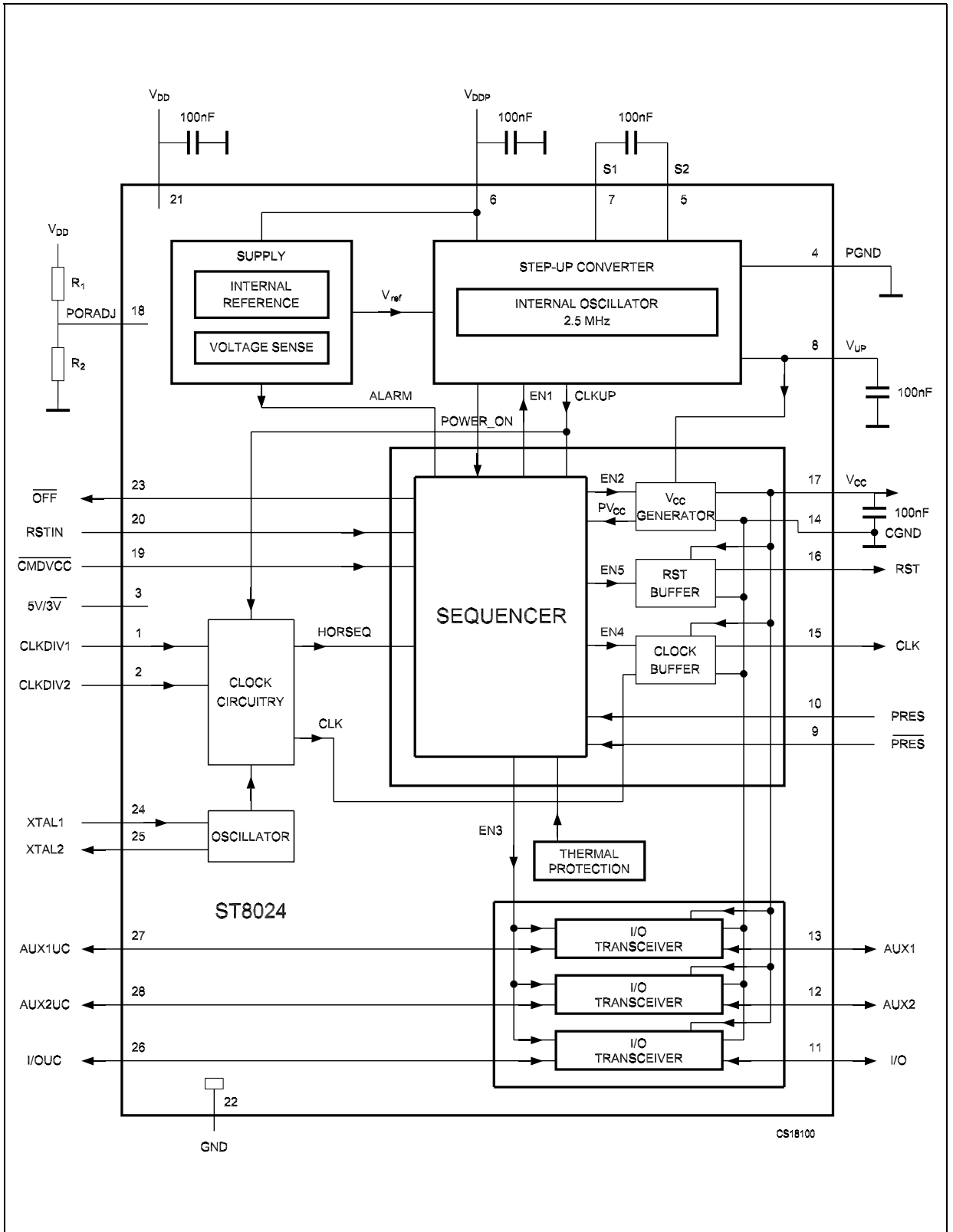


Figure 2: Pin Configuration

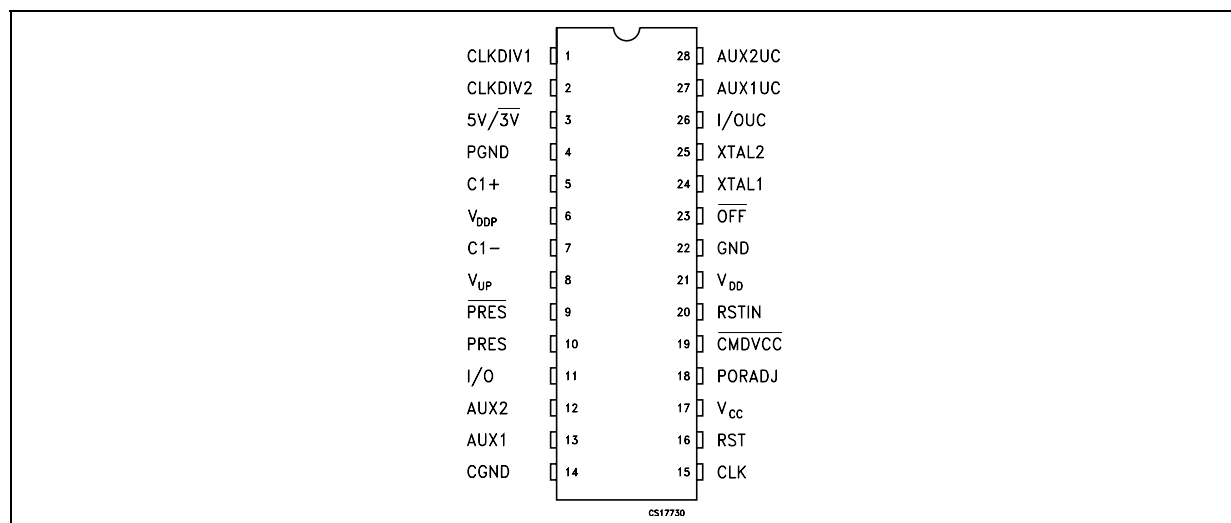


Table 2: Pin Description

PIN N°	SYMBOL	NAME AND FUNCTION
1	CLKDIV1	Control of CLK Frequency
2	CLKDIV2	Control of CLK Frequency
3	5V/3V	V _{CC} selection pin.
4	PGND	Power Ground for Step-Up converter
5	C1+	External Cap. for Step-Up converter
6	V _{DDP}	Power Supply for Step-Up converter
7	C1-	External Cap. Step-Up converter
8	V _{UP}	Output of Step-Up converter
9	PRES	Card Presence Input (Active Low)
10	PRES	Card Presence Input (Active High)
11	I/O	Data Line to and from card (C7) (internal 11kΩ pull-up resistor connected to V _{CC})
12	AUX2	Auxiliary line to and from card (C8) (internal 11kΩ pull-up resistor connected to V _{CC})
13	AUX1	Auxiliary line to and from card (C4) (internal 11kΩ pull-up resistor connected to V _{CC})
14	CGND	Ground for card signal (C5)
15	CLK	Clock to card (C3)
16	RST	Card Reset (C2)
17	V _{CC}	Supply Voltage for the card (C1)
18	PORADJ	Deactivation threshold selector pin (under voltage lock-out)
19	CMDVCC	Start activation sequence input (Active Low)
20	RSTIN	Card Reset Input from MCU
21	V _{DD}	Supply Voltage
22	GND	Ground
23	OFF	Interrupt to MCU (active Low)
24	XTAL1	Crystal or external clock input
25	XTAL2	Crystal connection (leave this pin open if external clock is used)
26	I/OUC	MCU data I/O line (internal 11kΩ pull-up resistor connected to V _{DD})
27	AUX1UC	Non-inverting Receiver Input (internal 11kΩ pull-up resistor connected to V _{DD})
28	AUX2UC	Non-inverting Receiver Input (internal 11kΩ pull-up resistor connected to V _{DD})

Table 3: Absolute Maximum Ratings

Symbol	Parameter	Min	Max	Unit
V_{DD}, V_{DDP}	Supply Voltage	-0.3	7	V
V_{n1}	Voltage on pins XTAL1, XTAL2, 5V/3V, RSTIN, AUX2UC, AUX1UC, I/OUC, CLKDIV1, CLKDIV2, PORADJ, CMDVCC, PRES, PRES and OFF	-0.3	$V_{DD} + 0.3$	V
V_{n2}	Voltage on card contact pins I/O, RST, AUX1, AUX2 and CLK	-0.3	$V_{CC} + 0.3$	V
V_{n3}	Voltage on pins V_{UP} , S1 and S2		9	V
ESD1	MIL-STD-883 class 3 on card contact pins, PRES and PRES (Note 1, 2)	-6	6	kV
ESD2	MIL-STD-883 class 2 on μ C contact pins and RSTIN (Note 1, 2)	-2	2	kV

Absolute Maximum Ratings are those values beyond which damage to the device may occur. Functional operation under these conditions is not implied.

Note 1: All card contacts are protected against any short with any other card contact.

Note 2: Method 3015 (HBM, 1500 Ω , 100 pF) 3 positive pulses and 3 negative pulses on each pin referenced to ground.

Table 4: Thermal Data

Symbol	Parameter	Condition	Value	Unit
$R_{thj-amb}$	Thermal Resistance Junction-ambient Temperature	In free air	70	K/W

RECOMMENDED OPERATING CONDITIONS

Symbol	Parameter	Min.	Typ.	Max.	Unit
T_A	Temperature Range	-25		85	$^{\circ}$ C

Table 5: Electrical Characteristics Over Recommended Operating Conditions ($V_{DD} = 3.3V$, $V_{DDP} = 5V$, $f_{XTAL} = 10MHz$, unless otherwise noted. Typical values are to $T_a = 25^\circ C$)

Symbol	Parameter	Test Conditions	Min.	Typ.	Max.	Unit
V_{DD}	Supply Voltage		2.7		6.5	V
V_{DDP}	Supply Voltage for the voltage doubler	$V_{CC} = 5V$; $ I_{CC} < 80$ mA	4.0	5	6.5	V
		$V_{CC} = 5V$; $ I_{CC} < 20$ mA	3.0		6.5	
I_{DD}	Supply Current	Card Inactive			1.2	mA
		Card Active; $f_{CLK} = f_{XTAL}$; $C_L = 30pF$			1.5	
I_{DDP}	DC/DC converter Supply Current	Inactive mode			0.1	mA
		Active mode; $f_{CLK} = f_{XTAL}$; $C_L = 30pF$; $ I_{CC} = 0$			10	
		$V_{CC} = 5V$; $ I_{CC} = 80$ mA			200	
		$V_{CC} = 3V$; $ I_{CC} = 65$ mA			100	
V_{th2}	Falling Threshold Voltage on V_{DD}	no external resistors at pin PORADJ; V_{DD} level falling	2.35	2.45	2.55	V
V_{HYS2}	Hysteresis of Threshold Voltage V_{th2}	no external resistors at pin PORADJ	50	100	150	mV
$V_{th(ext)rise}$	External rising Threshold Voltage on V_{DD}	external resistor bridge at pin PORADJ; V_{DD} level rising	1.18	1.21	1.24	V
$V_{th(ext)fall}$	External falling Threshold Voltage on V_{DD}	external resistor bridge at pin PORADJ; V_{DD} level falling	1.12	1.15	1.18	V
$V_{HYS(ext)}$	Hysteresis of Threshold Voltage $V_{th(ext)}$	external resistor bridge at pin PORADJ	30	60	90	mV
$\Delta V_{HYS(ext)}$	Hysteresis of Threshold Voltage $V_{th(ext)}$ variation with temperature	external resistor bridge at pin PORADJ			0.25	mV/K
t_W	Width of internal Power-On reset pulse	no external resistor at pin PORADJ	4	8	12	ms
		external resistor bridge at pin PORADJ	8	16	24	
I_L	Leakage current on pin PORADJ	$V_{PORADJ} < 0.5$ V	-0.1	4	10	μA
		$V_{PORADJ} > 1.0$ V	-1		1	
P_{TOT}	Total power dissipation	Continuous operation; $T_a = -25$ to $85^\circ C$			0.56	W

Table 6: Step-up Converter ($V_{DD} = 3.3V$, $V_{DDP} = 5V$, $f_{XTAL} = 10MHz$, unless otherwise noted. Typical values are to $T_a = 25^\circ C$)

Symbol	Parameter	Test Conditions	Min.	Typ.	Max.	Unit
f_{CLK}	Clock Frequency	Card active	2.2		3.2	MHz
$V_{th(vd-vf)}$	Threshold voltage for Step-up Converter to change to voltage follower	5 V card	5.2	5.8	6.2	V
		3 V card	3.8	4.1	4.4	
$V_{UP(av)}$	Output Voltage on pin V_{UP} (average value)	$V_{CC} = 5$ V	5.2	5.7	6.2	V
		$V_{CC} = 3$ V; $V_{DDP} = 3.3$ V	3.5	3.9	4.3	

Table 7: Card Supply Voltage Characteristics ($V_{DD} = 3.3V$, $V_{DDP} = 5V$, $f_{XTAL} = 10MHz$, unless otherwise noted. Typical values are to $T_a = 25^\circ C$) (Note 1)

Symbol	Parameter	Test Conditions	Min.	Typ.	Max.	Unit	
C_{VCC}	External Capacitance on pin V_{CC}	Notes 2 and 3	80		220	nF	
V_{CC}	Card Supply Voltage (including ripple voltage)	Card Inactive; $ I_{CC} = 0$ mA	5 and 3V card	-0.1	0	0.1	V
		Card Inactive; $ I_{CC} = 1$ mA	5 and 3V card	-0.1	0	0.3	
		Card Active; $ I_{CC} < 80$ mA	5 V card	4.75	5	5.25	
		Card Active; $ I_{CC} < 65$ mA	3 V card	2.85	3	3.15	
		Card Active; single current pulse $I_P = -100$ mA; $t_p = 2$ μ s	5 V card	4.65	5	5.25	
		Card Active; single current pulse $I_P = -100$ mA; $t_p = 2$ μ s	3 V card	2.76	3	3.20	
		Card active; current pulses, $Q_P = 40$ nAs	5 V card	4.65	5	5.25	
			3 V card	2.76	3	3.20	
		Card Active; current pulses $Q_P = 40$ nAs with $ I_{CC} < 200$ mA, $t_p < 400$ ns	5 V card	4.65	5	5.25	
3 V card	2.76		3	3.20			
V_{CC} (RIPPLE) (P-P)	Ripple voltage on V_{CC} (Peak to Peak value)	$f_{RIPPLE} = 20$ KHZ to 200 MHz			350	mV	
$ I_{CC} $	Card Supply Current	$V_{CC} = 0$ to 5V			80	mA	
		$V_{CC} = 0$ to 3V			65		
		V_{CC} short circuit to GND	90		120		
S_R	Slew Rate	Slew up or down	0.08	0.15	0.22	V/ μ s	

Table 8: Crystal Connection (PINS XTAL1 AND XTAL2) ($V_{DD} = 3.3V$, $V_{DDP} = 5V$, $f_{XTAL} = 10MHz$, unless otherwise noted. Typical values are to $T_a = 25^\circ C$)

Symbol	Parameter	Test Conditions	Min.	Typ.	Max.	Unit
$C_{XTAL1,2}$	External capacitance on pins XTAL1, XTAL2	Depends on type of crystal or resonator used			15	pF
f_{XTAL}	Crystal Frequency		2		26	MHz
f_{XTAL1}	Frequency applied on pin XTAL1		0		26	MHz
V_{IH}	High level input voltage on pin XTAL1		$0.7 V_{DD}$		$V_{DD} + 0.3$	V
V_{IL}	Low level input voltage on pin XTAL1		-0.3		$+0.3 V_{DD}$	V

Table 9: Data Lines (PINS I/O, I/OUC, AUX1, AUX2, AUX1UC AND AUX2UC) ($V_{DD} = 3.3V$, $V_{DDP} = 5V$, $f_{XTAL} = 10MHz$, unless otherwise noted. Typical values are to $T_a = 25^\circ C$)

Symbol	Parameter	Test Conditions	Min.	Typ.	Max.	Unit
$t_{D(I/O-I/OUC)}$, $t_{D(I/OUC-I/O)}$	I/O to I/OUC, I/OUC to I/O falling edge delay				200	ns
t_{pu}	Active pull-up pulse width				100	ns
$f_{I/O(MAX)}$	Maximum frequency on data lines				1	MHz
C_I	Input capacitance on data lines				10	pF

Table 10: Data Lines To Card Reader

(PINS I/O, AUX1 AND AUX2 With Integrated 11 k Ω PULL-UP Resistor To V_{CC} (V_{DD} = 3.3V, V_{DDP} = 5V, f_{X TAL} = 10MHz, unless otherwise noted. Typical values are to T_a = 25°C)

Symbol	Parameter	Test Conditions	Min.	Typ.	Max.	Unit	
V _{O(inactive)}	Output Voltage	Inactive mode	NO LOAD	0	0.1	V	
			I _{O(inactive)} =1mA		0.3		
I _{O(inactive)}	Output Current	Inactive mode; pin grounded			-1	mA	
V _{OH}	High Level Output Voltage	No DC Load		0.9 V _{CC}	V _{CC} +0.1	V	
		5 and 3 V cards; I _{OH} < - 40 μ A		0.75 V _{CC}	V _{CC} +0.1		
		I _{OH} \geq 10mA		0	0.4		
V _{OL}	Low Level Output Voltage	I _{OL} = 1 mA		0	0.2	V	
		I _{OL} \geq 15 mA		V _{CC} -0.4	V _{CC}		
V _{IH}	High Level Input Voltage		1.5		V _{CC} +0.3	V	
V _{IL}	Low Level Input Voltage		0.3		0.8	V	
I _{LIH}	High Level Input Leakage Current	V _{IH} = V _{CC}			10	μ A	
I _L	Low Level Input Current	V _{IL} = 0 V			600	μ A	
R _{PU}	Integrated pull-up resistor	Pull-up resistor to V _{CC}		9	11	13	k Ω
t _{T(DI)}	Data Input transition time	V _{IL} max to V _{IH} min			1.2	μ s	
t _{T(DO)}	Data Output transition time	V _O = 0 to V _{CC} ; C _L \leq 80 pF; 10% to 90%			0.1	μ s	
I _{PU}	Current when pull-up active	V _{OH} = 0.9V _{CC} ; C _L = 80 pF		-1		mA	

Table 11: Data Lines To Microcontroller (PINS I/OUC, AUX1UC AND AUX2UC; With Integrated 11 k Ω PULL-UP Resistor To V_{DD}) (V_{DD} = 3.3V, V_{DDP} = 5V, f_{X TAL} = 10MHz, unless otherwise noted. Typical values are to T_a = 25°C)

Symbol	Parameter	Test Conditions	Min.	Typ.	Max.	Unit	
V _{OH}	High Level Output Voltage	5 and 3 V card; I _{OH} < - 40 μ A	0.75 V _{DD}		V _{DD} +0.1	V	
		No DC Load	0.9 V _{DD}		V _{DD} +0.1		
V _{OL}	Low Level Output Voltage	I _{OL} = 1 mA		0	0.3	V	
V _{IH}	High Level Input Voltage		0.7 V _{DD}		V _{DD} +0.3	V	
V _{IL}	Low Level Input Voltage		-0.3		0.3 V _{DD}	V	
I _{LIH}	High Level Input Leakage Current	V _{IH} = V _{DD}			10	μ A	
I _L	Low Level Input Current	V _{IL} = 0 V			600	μ A	
R _{PU}	Internal pull-up resistance to V _{DD}	Pull-up resistor to V _{DD}		9	11	13	k Ω
t _{T(DI)}	Data Input transition time	V _{IL(max)} to V _{IH(min)}			1.2	μ s	
t _{T(DO)}	Data Output transition time	V _O = 0 to V _{DD} ; C _L < 30 pF; 10% to 90%			0.1	μ s	
I _{PU}	Current when pull-up active	V _{OH} = 0.9V _{DD} ; C _L = 30 pF		-1		mA	

Table 12: Internal Oscillator ($V_{DD} = 3.3V$, $V_{DDP} = 5V$, $f_{XTAL} = 10MHz$, unless otherwise noted. Typical values are to $T_a = 25^\circ C$)

Symbol	Parameter	Test Conditions	Min.	Typ.	Max.	Unit
$f_{OSC(INT)}$	Frequency of internal oscillator	Inactive mode	55	140	200	kHz
		Active mode	2.2	2.7	3.2	MHz

Table 13: Reset Output To Card Reader (PIN RST) ($V_{DD} = 3.3V$, $V_{DDP} = 5V$, $f_{XTAL} = 10MHz$, unless otherwise noted. Typical values are to $T_a = 25^\circ C$)

Symbol	Parameter	Test Conditions	Min.	Typ.	Max.	Unit
$V_{O(inactive)}$	Output Voltage in Inactive Mode	$I_{O(inactive)} = 1\text{ mA}$	0		0.3	V
		No Load	0		0.1	
$I_{O(inactive)}$	Output Current	Inactive mode; pin grounded	0		-1	mA
$t_{D(RSTIN-RST)}$	RSTN to RST Delay	RST Enable			2	μs
V_{OL}	Low Level Output Voltage	$I_{OL} = 200\ \mu A$	0		0.2	V
		$I_{OL} = 20\text{ mA (current limit)}$	$V_{CC}-0.4$		V_{CC}	
V_{OH}	High Level Output Voltage	$I_{OH} = -200\ \mu A$	$0.9V_{CC}$		V_{CC}	V
		$I_{OH} = -20\text{ mA (current limit)}$	0		0.4	
t_R, t_F	Rise and fall time	$C_L = 100\text{ pF}$; $V_{CC} = 5\text{ or }3\text{ V}$			0.1	μs

Table 14: Clock Output To Card Reader (PIN CLK) ($V_{DD} = 3.3V$, $V_{DDP} = 5V$, $f_{XTAL} = 10MHz$, unless otherwise noted. Typical values are to $T_a = 25^\circ C$)

Symbol	Parameter	Test Conditions	Min.	Typ.	Max.	Unit
$V_{O(inactive)}$	Output Voltage in Inactive Mode	$I_{O(inactive)} = 1\text{ mA}$	0		0.3	V
		No Load	0		0.1	
$I_{O(inactive)}$	Output Current	CLK Inactive mode; pin grounded	0		-1	mA
V_{OL}	Low Level Output Voltage	$I_{OL} = 200\ \mu A$	0		0.3	V
		$I_{OL} = 70\text{ mA (current limit)}$	$V_{CC}-0.4$		V_{CC}	
V_{OH}	High Level Output Voltage	$I_{OH} = -200\ \mu A$	$0.9V_{CC}$		V_{CC}	V
		$I_{OH} = -70\text{ mA (current limit)}$	0		0.4	
t_R, t_F	Rise and fall time	$C_L = 30\text{ pF}$ (Note 4)			16	ns
δ	Duty factor (except for f_{XTALS})	$C_L = 30\text{ pF}$ (Note 4)	45		55	%
S_R	Slew Rate	Slew up or down; $C_L = 30\text{ pF}$	0.2			V/ns

Table 15: Control Inputs (PINS CLKDIV1, CLKDIV2, \overline{CMDVCC} , RSTIN AND $5V/3V$)

($V_{DD} = 3.3V$, $V_{DDP} = 5V$, $f_{XTAL} = 10MHz$, unless otherwise noted. Typical values are to $T_a = 25^\circ C$) (Note 5)

Symbol	Parameter	Test Conditions	Min.	Typ.	Max.	Unit
V_{IL}	Input Voltage LOW		-0.3		$0.3V_{DD}$	V
V_{IH}	Input Voltage HIGH		$0.7V_{DD}$		V_{DD}	V
$ I_{L(H)} $	Input Leakage Current HIGH	$V_{IH} = V_{DD}$			1	μA
$ I_{L(L)} $	Input Leakage Current LOW	$V_{IL} = 0$			1	μA

Table 16: Card Presence Inputs (PINS PRES AND $\overline{\text{PRES}}$)

($V_{DD} = 3.3V$, $V_{DDP} = 5V$, $f_{XTAL} = 10MHz$, unless otherwise noted. Typical values are to $T_a = 25^\circ C$) (Note 6)

Symbol	Parameter	Test Conditions	Min.	Typ.	Max.	Unit
V_{IL}	Input Voltage LOW		-0.3		$0.3 V_{DD}$	V
V_{IH}	Input Voltage HIGH		$0.7 V_{DD}$		$V_{DD}+0.3$	V
$ I_{LIH} $	Input Leakage Current HIGH	$V_{IH} = V_{DD}$			5	μA
$ I_{LIL} $	Input Leakage Current LOW	$V_{IL} = 0$			5	μA

Table 17: Interrupt Output (PIN $\overline{\text{OFF}}$ NMOS Drain With Integrated 20 k Ω PULL-UP Resistor To V_{DD}); ($V_{DD} = 3.3V$, $V_{DDP} = 5V$, $f_{XTAL} = 10MHz$, unless otherwise noted. Typical values are to $T_a = 25^\circ C$)

Symbol	Parameter	Test Conditions	Min.	Typ.	Max.	Unit
V_{OL}	Low Level Output Voltage	$I_{OL} = 2 \text{ mA}$	0		0.3	V
V_{OH}	High Level Output Voltage	$I_{OH} = -15 \mu A$	$0.75 V_{DD}$			V
R_{PU}	Integrated pull-up resistor	20k Ω Pull-up resistor to V_{DD}	16	20	24	k Ω

Table 18: Protection And Limitation ($V_{DD} = 3.3V$, $V_{DDP} = 5V$, $f_{XTAL} = 10MHz$, unless otherwise noted. Typical values are to $T_a = 25^\circ C$)

Symbol	Parameter	Test Conditions	Min.	Typ.	Max.	Unit
$ I_{CC(SD)} $	Shutdown and limitation current pin V_{CC}		90		120	mA
$I_{I/O(lim)}$	limitation current pins I/O, AUX1 and AUX2		-15		15	mA
$I_{CLK(lim)}$	limitation current pin CLK		-70		70	mA
$I_{RST(lim)}$	limitation current pin RST		-20		20	mA
T_{SD}	Shut down temperature			150		$^\circ C$

Table 19: Timing ($V_{DD} = 3.3V$, $V_{DDP} = 5V$, $f_{XTAL} = 10MHz$, unless otherwise noted. Typical values are to $T_a = 25^\circ C$)

Symbol	Parameter	Test Conditions	Min.	Typ.	Max.	Unit
t_{ACT}	Activation time	(See Fig. 5)	50		220	μs
t_{DE}	Deactivation time	(See Fig. 7)	50	80	100	μs
t_3	Start of the window for sending CLK to the card	(See Fig. 6)	50		130	μs
t_5	End of the window for sending CLK to card	(See Fig. 6)	140		220	μs
$t_{debounce}$	Debounce time pins PRES and $\overline{\text{PRES}}$	(See Fig. 8)	5	8	11	ms

Note 1: All parameters remain within limits but are tested only statistically for the temperature range. When a parameter is specified as a function of V_{DD} or V_{CC} it means their actual value at the moment of measurement.

Note 2: To meet these specifications, pin V_{CC} should be decoupled to CGND using two ceramic multilayer capacitors of low ESR both with values of 100 nF and 100 nF (see Fig.10).

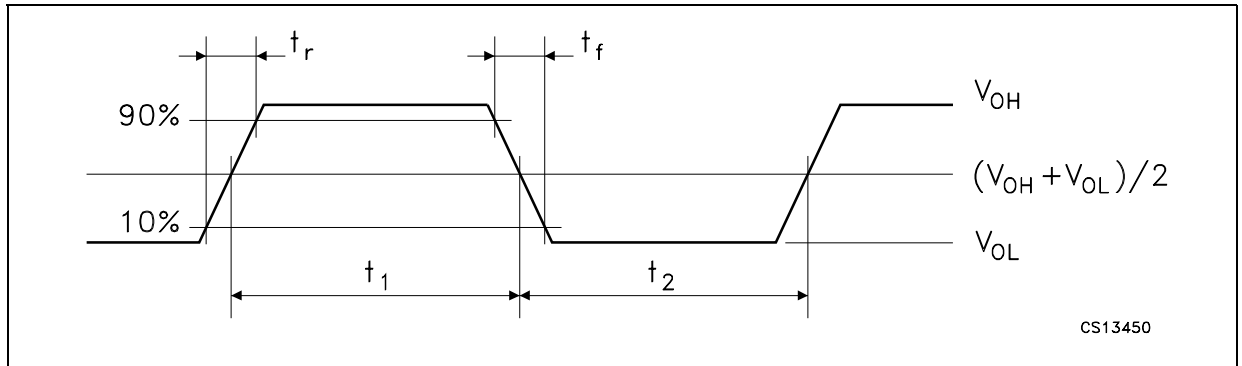
Note 3: Permitted capacitor values are 100 + 100 nF, or 220 nF.

Note 4: Transition time and duty factor definitions are shown in Fig.3; $\delta = t_1/(t_1 + t_2)$.

Note 5: Pin $\overline{\text{CMDVCC}}$ is active LOW; pin RSTIN is active HIGH; for CLKDIV1 and CLKDIV2 functions see Table 20.

Note 6: Pin PRES is active LOW; pin $\overline{\text{PRES}}$ is active HIGH see Figs. 8 and 9; PRES has an integrated 1.25 μA current source to GND ($\overline{\text{PRES}}$ to V_{DD}); the card is considered present if at least one of the inputs $\overline{\text{PRES}}$ or PRES is active.

Figure 3: Definition of output and input transition times



FUNCTIONAL DESCRIPTION

Throughout this document it is assumed that the reader is familiar with ISO7816 terminology.

POWER SUPPLY

The supply pins for the IC are V_{DD} and GND. V_{DD} should be in the range of 2.7 to 6.5 V. All signals interfacing with the system controller are referred to V_{DD} , therefore V_{DD} should also supply the system controller. All card reader contacts remain inactive during power-on or power-off.

The internal circuits are maintained in the reset state until V_{DD} reaches $V_{th2} + V_{hys2}$ and for the duration of the internal Power-on reset pulse, t_W (see Fig.4). When V_{DD} falls below V_{th2} , an automatic deactivation of the contacts is performed.

A DC/DC converter is incorporated to generate the 5 or 3 V card supply voltage (V_{CC}). The DC/DC converter should be supplied separately by V_{DDP} and PGND. Due to the possibility of large transient currents, the two 100 nF capacitors of the DC/DC converter should be located as near as possible to the IC and have an ESR less than 100 m Ω .

The DC/DC converter functions as a voltage doubler or a voltage follower according to the respective values of V_{CC} and V_{DDP} (both have thresholds with a hysteresis of 100 mV).

The DC/DC converter function changes as follows:

$V_{CC} = 5$ V and $V_{DDP} > 5.8$ V; voltage follower

$V_{CC} = 5$ V and $V_{DDP} < 5.7$ V; voltage doubler

$V_{CC} = 3$ V and $V_{DDP} > 4.1$ V; voltage follower

$V_{CC} = 3$ V and $V_{DDP} < 4.0$ V; voltage doubler.

Supply voltages V_{DD} and V_{DDP} may be applied to the IC in any sequence.

After powering the device, \overline{OFF} remains LOW until \overline{CMDVCC} is set HIGH.

During power off, \overline{OFF} falls LOW when V_{DD} is below the falling threshold voltage.

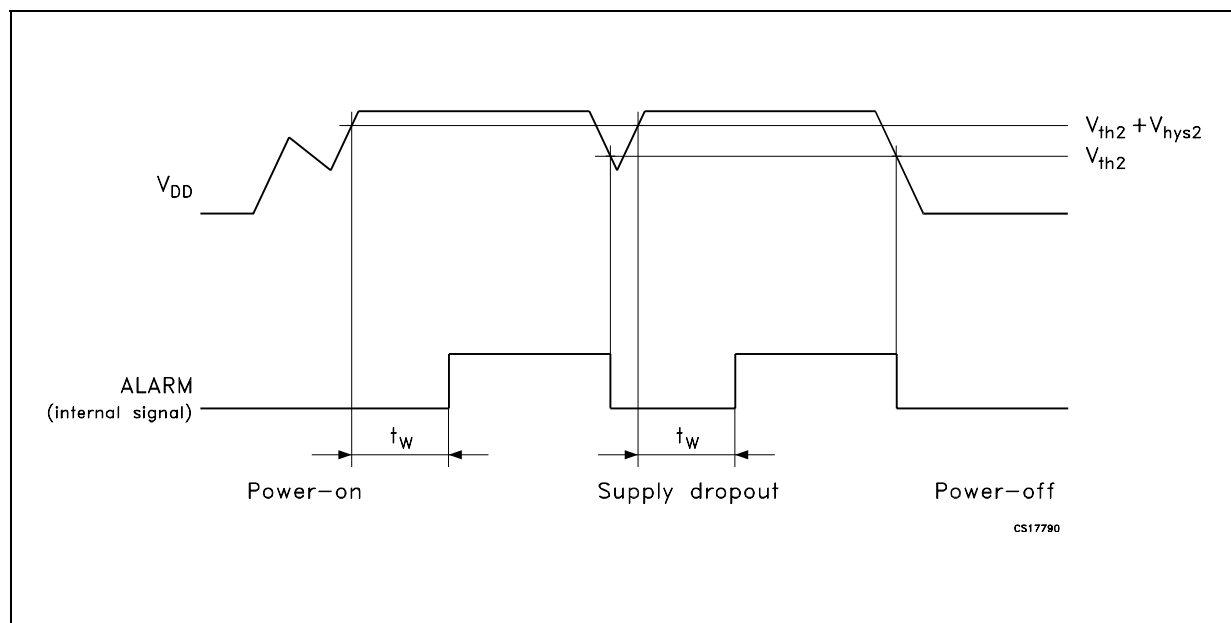
VOLTAGE SUPERVISOR

- WITHOUT EXTERNAL DIVIDER ON PIN PORADJ

The voltage supervisor surveys the V_{DD} supply. A defined reset pulse of approximately 8ms (t_W) is used internally to keep the IC inactive during power-on or power-off of the V_{DD} supply (see Fig.4).

As long as V_{DD} is less than $V_{th2} + V_{hys2}$, the IC remains inactive whatever the levels on the command lines. This state also lasts for the duration of t_W after V_{DD} has reached a level higher than $V_{th2} + V_{hys2}$. When V_{DD} falls below V_{th2} , a deactivation sequence of the contacts is performed.

Figure 4: Voltage supervisor



WITH AN EXTERNAL DIVIDER ON PIN PORADJ

If an external resistor bridge is connected to pin PORADJ (R1 and R2 in Fig.1), then the following occurs:

- The internal threshold voltage V_{th2} is overridden by the external voltage and by the hysteresis, therefore:

$$V_{th2(ext)(rise)} = (1 + R1/R2) \times (V_{bridge} + V_{hys(ext)}/2)$$

$$V_{th2(ext)(fall)} = (1 + R1/R2) \times (V_{bridge} - V_{hys(ext)}/2)$$

where $V_{bridge} = 1.18 \text{ V typ.}$ and $V_{hys(ext)} = 60 \text{ mV typ.}$

- The reset pulse width t_w is doubled to approximately 16 ms.

Input PORADJ is biased internally with a pull-down current source of $4 \mu\text{A}$ which is removed when the voltage on pin PORADJ exceeds 1 V.

This ensures that after detection of the external bridge by the IC during power-on, the input current on pin PORADJ does not cause inaccuracy of the bridge voltage.

The minimum threshold voltage should be higher than 2 V. The maximum threshold voltage may be up to V_{DD} .

APPLICATION EXAMPLES

The voltage supervisor is used as Power-on reset and as supply dropout detection during a card session. Supply dropout detection is to ensure that a proper deactivation sequence is followed before the voltage is too low. For the internal voltage supervisor to function, the system microcontroller should operate down to 2.35 V to ensure a proper deactivation sequence. If this is not possible, external resistor values can be chosen to overcome the problem.

CLOCK CIRCUITRY

The card clock signal (CLK) is derived from a clock signal input to pin XTAL1 or from a crystal operating at up to 26 MHz connected between pins XTAL1 and XTAL2.

The clock frequency can be f_{XTAL} , $1/2 \times f_{XTAL}$, $1/4 \times f_{XTAL}$ or $1/8 \times f_{XTAL}$. Frequency selection is made via inputs CLKDIV1 and CLKDIV2 (see Table 20).

Table 20: Clock frequency selection; (note 1)

CLKDIV1	CLKDIV2	f _{CLK}
0	0	f _{XTAL} /8
0	1	f _{XTAL} /4
1	1	f _{XTAL} /2
1	0	f _{XTAL}

NOTE 1: The status of pins CLKDIV1 and CLKDIV2 must not be changed simultaneously; a delay of 10 ns minimum between changes is needed; the minimum duration of any state of CLK is eight periods of XTAL1.

The frequency change is synchronous, which means that during transition no pulse is shorter than 45% of the smallest period, and that the first and last clock pulses about the instant of change have the correct width.

When changing the frequency dynamically, the change is effective for only eight periods of XTAL1 after the command. The duty factor of f_{XTAL} depends on the signal present at pin XTAL1. In order to reach a 45 to 55% duty factor on pin CLK, the input signal on pin XTAL1 should have a duty factor of 48 to 52% and transition times of less than 5% of the input signal period.

If a crystal is used, the duty factor on pin CLK may be 45 to 55% depending on the circuit layout and on the crystal characteristics and frequency. In other cases, the duty factor on pin CLK is guaranteed between 45 and 55% of the clock period.

The crystal oscillator runs as soon as the IC is powered up. If the crystal oscillator is used, or if the clock pulse on pin XTAL1 is permanent, the clock pulse is applied to the card as shown in the activation sequences shown in Figs 5 and 6.

If the signal applied to XTAL1 is controlled by the system microcontroller, the clock pulse will be applied to the card when it is sent by the system microcontroller (after completion of the activation sequence).

I/O TRANSCEIVERS

The three data lines I/O, AUX1 and AUX2 are identical. The idle state is realized by both I/O and I/OUC lines being pulled HIGH via a 11 kΩ resistor (I/O to V_{CC} and I/OUC to V_{DD}). Pin I/O is referenced to V_{CC}, and pin I/OUC to V_{DD}, thus allowing operation when V_{CC} is not equal to V_{DD}. The first side of the transceiver to receive a falling edge becomes the master. An anti-latch circuit disables the detection of falling edges on the line of the other side, which then becomes a slave. After a time delay t_{d(edge)}, an N transistor on the slave side is turned on, thus transmitting the logic 0 present on the master side. When the master side returns to logic 1, a P transistor on the slave side is turned on during the time delay t_{pu} and then both sides return to their idle states. This active pull-up feature ensures fast LOW-to-HIGH transitions; it is able to deliver more than 1 mA at an output voltage of up to 0.9 V_{CC} into an 80 pF load. At the end of the active pull-up pulse, the output voltage depends only on the internal pull-up resistor and the load current. The current to and from the card I/O lines is limited internally to 15 mA and the maximum frequency on these lines is 1 MHz.

INACTIVE MODE

After a Power-on reset, the circuit enters the inactive mode. A minimum number of circuits are active while waiting for the microcontroller to start a session:

- All card contacts are inactive (approximately 200 Ω to GND)
- Pins I/OUC, AUX1UC and AUX2UC are in the high-impedance state (11 kΩ pull-up resistor to V_{DD})
- Voltage generators are stopped
- XTAL oscillator is running
- Voltage supervisor is active
- The internal oscillator is running at its low frequency.

ACTIVATION SEQUENCE

After power-on and after the internal pulse width delay, the system microcontroller can check the presence of a card using the signals OFF and CMDVCC as shown in Table 21.

If the card is in the reader (this is the case if $\overline{\text{PRES}}$ or PRES is active), the system microcontroller can start a card session by pulling $\overline{\text{CMDVCC}}$ LOW. The following sequence then occurs (see Fig.6):

1. $\overline{\text{CMDVCC}}$ is pulled LOW and the internal oscillator changes to its high frequency (t_0).
2. The voltage doubler is started (between t_0 and t_1).
3. V_{CC} rises from 0 to 5 V (or 3 V) with a controlled slope ($t_2 = t_1 + 1.5 \times T$) where T is 64 times the period of the internal oscillator (approximately 25 μs).
4. I/O, AUX1 and AUX2 are enabled ($t_3 = t_1 + 4T$) (these were pulled LOW until this moment).
5. CLK is applied to the C3 contact of the card reader (t_4).
6. RST is enabled ($t_5 = t_1 + 7T$).

The clock may be applied to the card using the following sequence (see Fig.5):

1. Set RSTIN HIGH.
2. Set $\overline{\text{CMDVCC}}$ LOW.
3. Reset RSTIN LOW between t_3 and t_5 ; CLK will start at this moment.
4. RST remains LOW until t_5 , when RST is enabled to be the copy of RSTIN.
5. After t_5 , RSTIN has no further affect on CLK; this allows a precise count of CLK pulses before toggling RST.

If the applied clock is not needed, then $\overline{\text{CMDVCC}}$ may be set LOW with RSTIN LOW. In this case, CLK will start at t_3 (minimum 200 ns after the transition on I/O), and after t_5 , RSTIN may be set HIGH in order to obtain an Answer To Request (ATR) from the card.

Activation should not be performed with RSTIN held permanently HIGH.

Table 21: Card presence indicator

$\overline{\text{OFF}}$	$\overline{\text{CMDVCC}}$	INDICATION
H	H	card present
L	H	card not present

Figure 5: Activation sequence using RSTIN and $\overline{\text{CMDVCC}}$

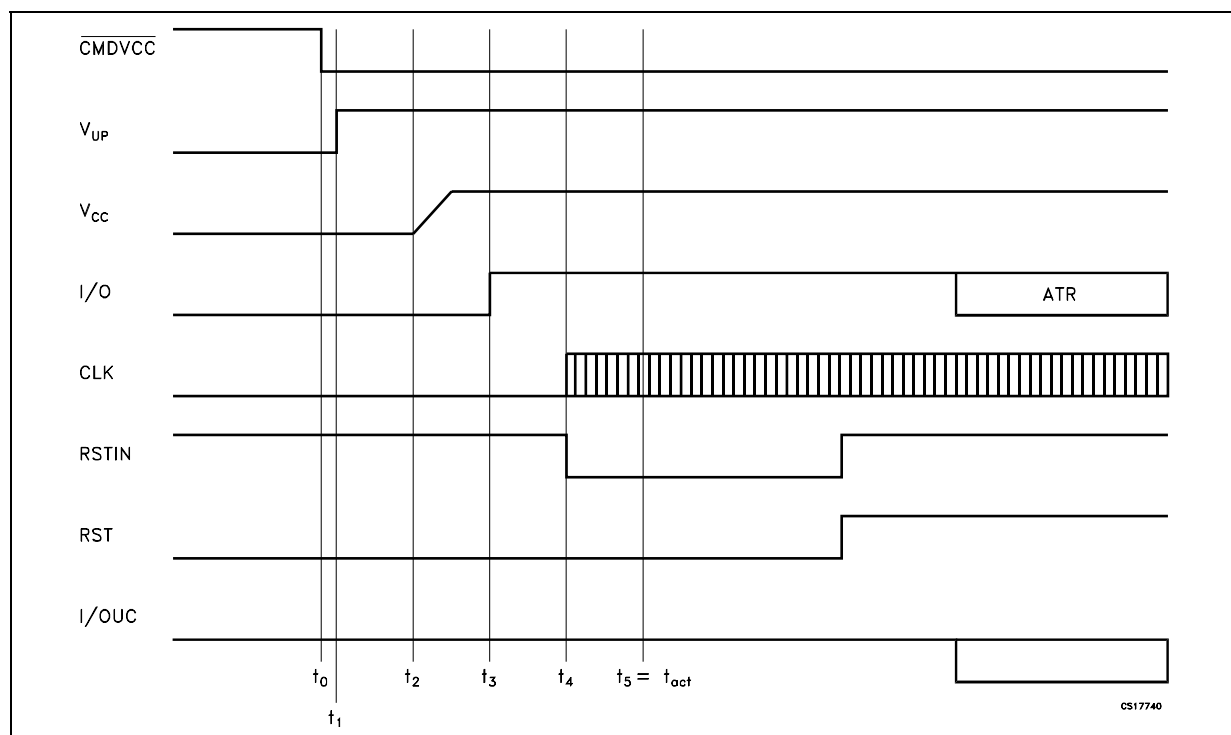
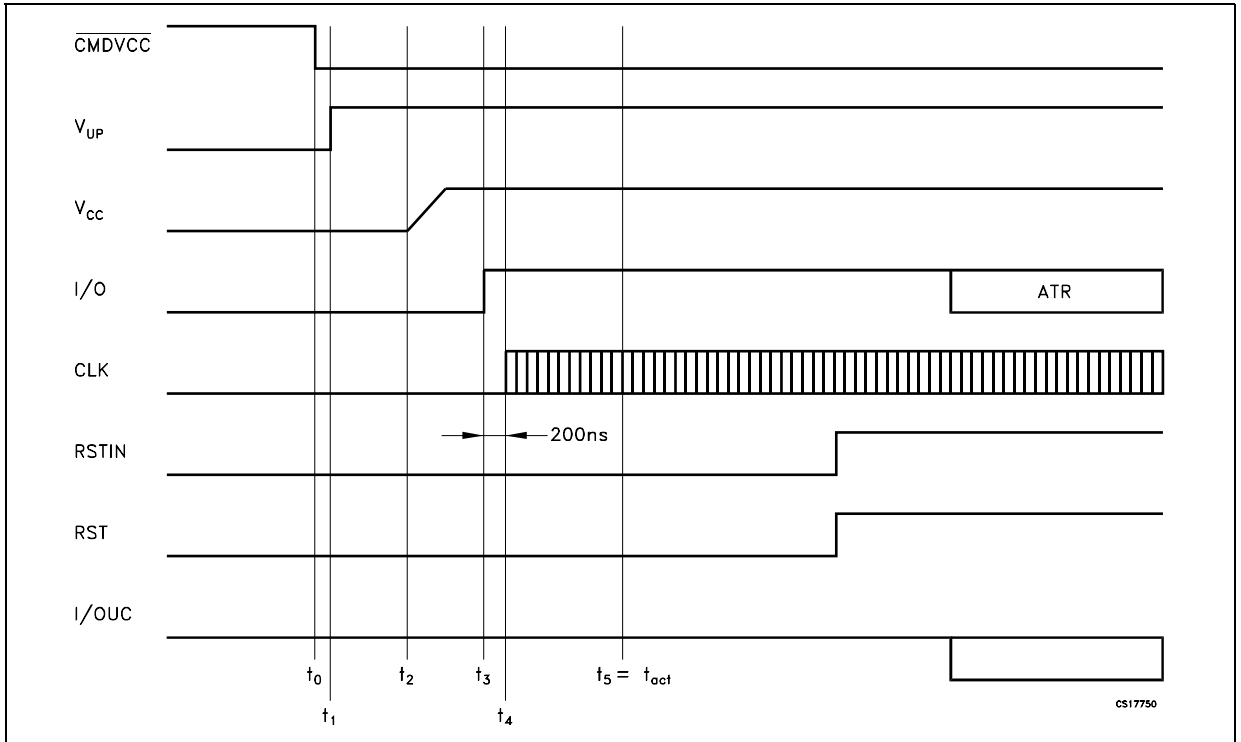


Figure 6: Activation sequence at t_3 

ACTIVE MODE

When the activation sequence is completed, the ST8024 will be in its active mode. Data are exchanged between the card and the microcontroller via the I/O lines.

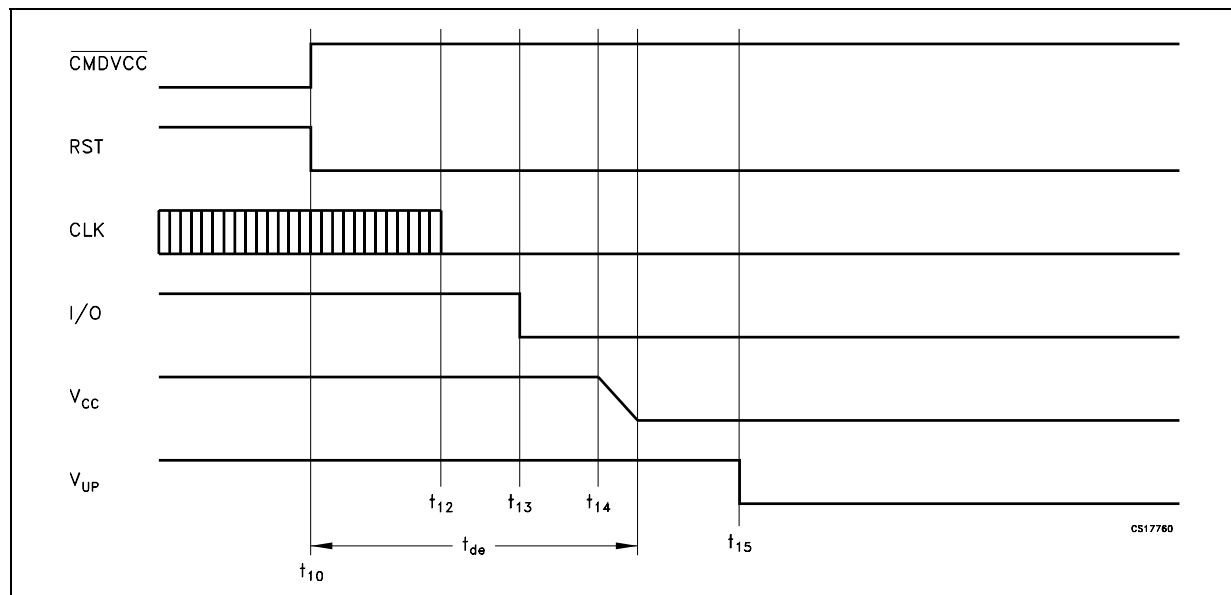
The ST8024 is designed for cards without V_{PP} (the voltage required to program or erase the internal non-volatile memory).

DEACTIVATION SEQUENCE

When a session is completed, the microcontroller sets the $\overline{\text{CMDVCC}}$ line HIGH. The circuit then executes an automatic deactivation sequence by counting the sequencer back and finishing in the inactive mode (see Fig.7):

1. RST goes LOW (t_{10}).
2. CLK is held LOW ($t_{12} = t_{10} + 0.5 \times T$) where T is 64 times the period of the internal oscillator (approximately 25 μs).
3. I/O, AUX1 and AUX2 are pulled LOW ($t_{13} = t_{10} + T$).
4. V_{CC} starts to fall towards zero ($t_{14} = t_{10} + 1.5 \times T$).
5. The deactivation sequence is complete at t_{de} , when V_{CC} reaches its inactive state.
6. V_{UP} falls to zero ($t_{15} = t_{10} + 5T$) and all card contacts become low-impedance to GND; I/OUC, AUX1UC and AUX2UC remain at V_{DD} (pulled-up via a 11 k Ω resistor).
7. The internal oscillator returns to its lower frequency.

Figure 7: Deactivation sequence



V_{CC} GENERATOR

The V_{CC} generator has a capacity to supply up to 80 mA continuously at 5 V and 65 mA at 3 V. An internal overload detector operates at approximately 120 mA. Current samples to the detector are internally filtered, allowing spurious current pulses up to 200 mA with a duration in the order of μs to be drawn by the card without causing deactivation. The average current must stay below the specified maximum current value. For reasons of V_{CC} voltage accuracy, a 100 nF capacitor with an ESR < 100 m Ω should be tied to CGND near to pin V_{CC}, and 100 nF capacitor with the same ESR should be tied to CGND near card reader contact C1.

FAULT DETECTION

The following fault conditions are monitored:

- Short-circuit or high current on V_{CC}
- Removal of a card during a transaction
- V_{DD} dropping
- DC/DC converter operating out of the specified values (V_{DDP} too low or current from V_{UP} too high)
- Overheating.

There are two different cases (see Fig.8):

- **CMDVCC HIGH** outside a card session. Output $\overline{\text{OFF}}$ is LOW if a card is not in the card reader, and HIGH if a card is in the reader. A voltage drop on the V_{DD} supply is detected by the supply supervisor, this generates an internal Power-on reset pulse but does not act upon $\overline{\text{OFF}}$. No short-circuit or overheating is detected because the card is not powered-up.

- **CMDVCC LOW** within a card session. Output $\overline{\text{OFF}}$ goes LOW when a fault condition is detected. As soon as this occurs, an emergency deactivation is performed automatically (see Fig.9). When the system controller resets $\overline{\text{CMDVCC}}$ to HIGH it may sense the $\overline{\text{OFF}}$ level again after completing the deactivation sequence. This distinguishes between a hardware problem or a card extraction ($\overline{\text{OFF}}$ goes HIGH again if a card is present).

Depending on the type of card-present switch within the connector (normally-closed or normally-open) and on the mechanical characteristics of the switch, bouncing may occur on the PRES signals at card insertion or withdrawal.

There is a debounce feature in the device with an 8 ms typical duration (see Fig.8). When a card is inserted, output $\overline{\text{OFF}}$ goes HIGH only at the end of the debounce time.

When the card is extracted, an automatic deactivation sequence of the card is performed on the first true/false transition on PRES or $\overline{\text{PRES}}$ and output $\overline{\text{OFF}}$ goes LOW.

Figure 8: Behavior of $\overline{\text{OFF}}$, $\overline{\text{CMDVCC}}$, PRES and V_{CC}

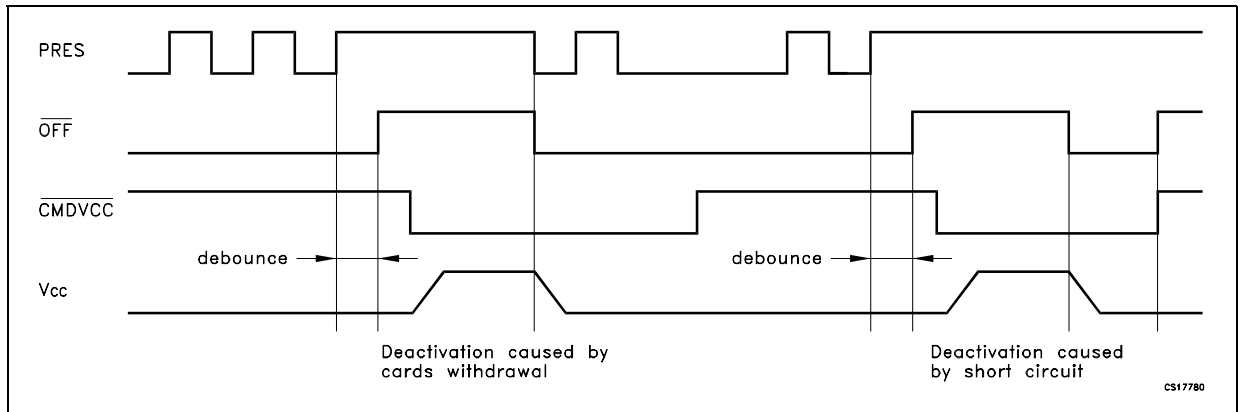
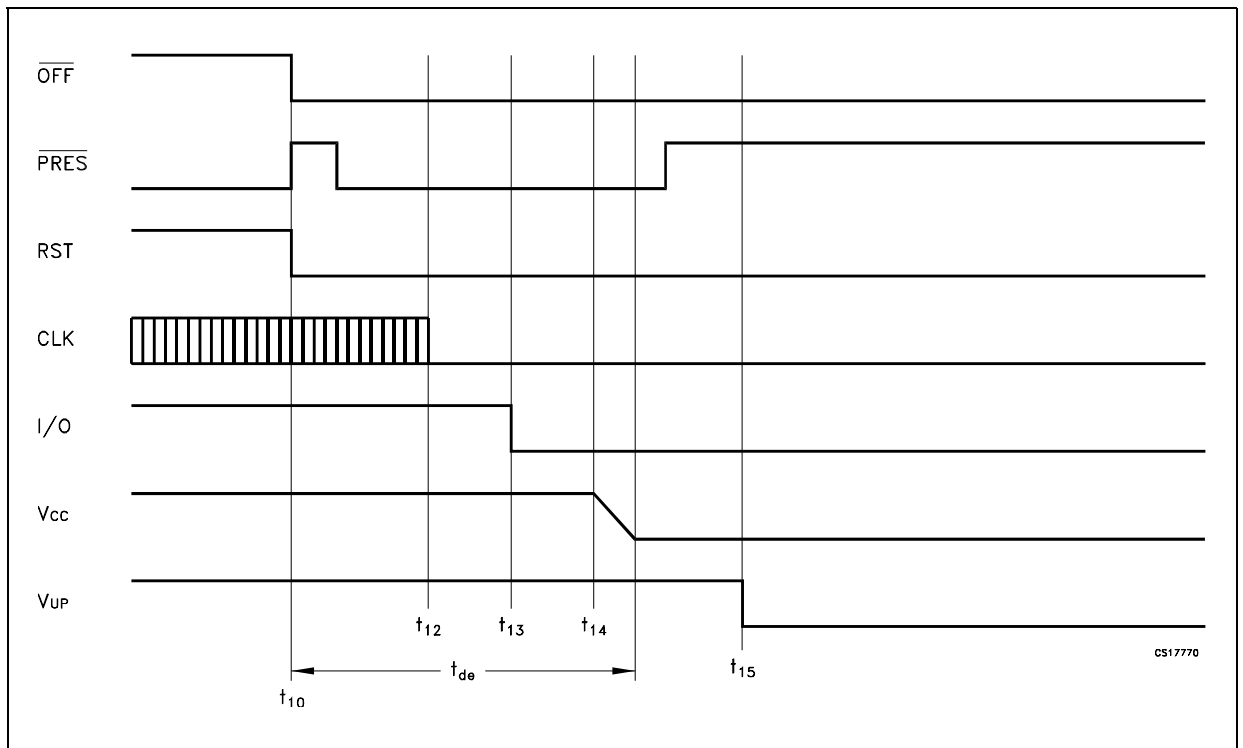
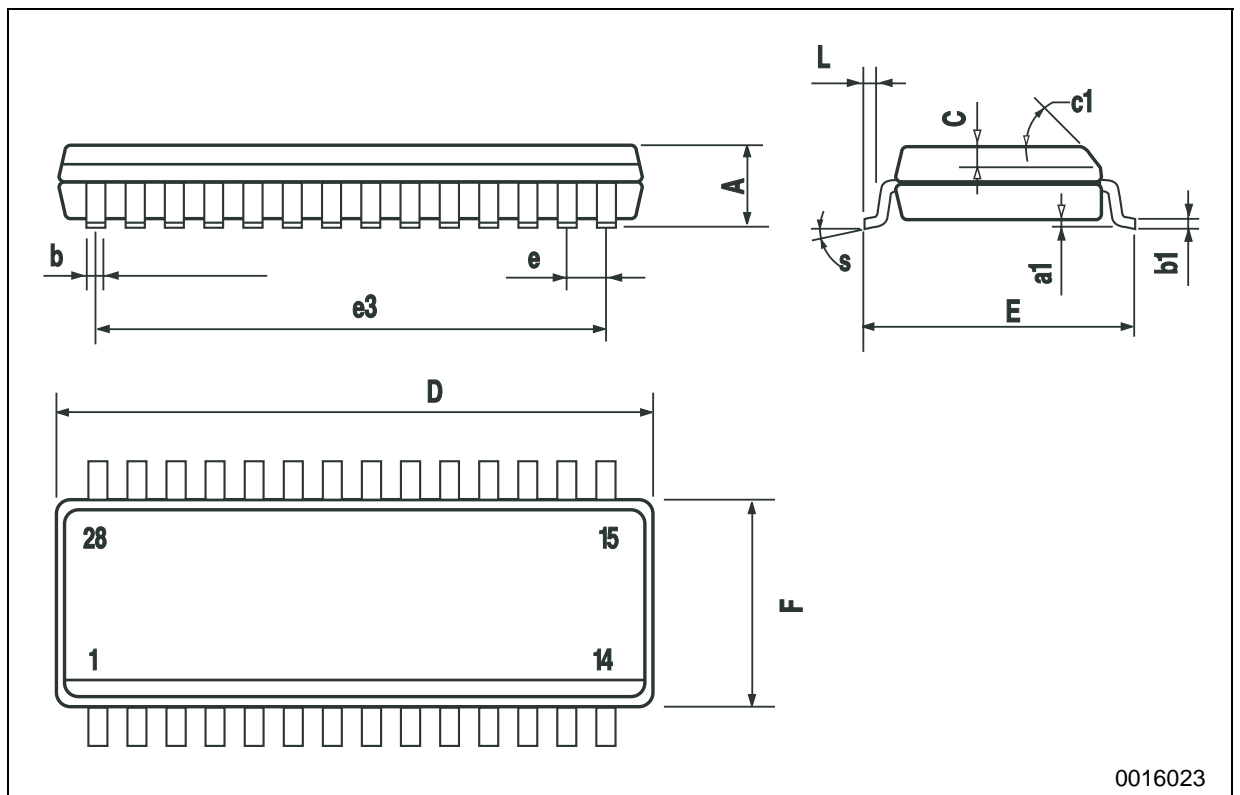


Figure 9: Emergency deactivation sequence (card extraction)



SO-28 MECHANICAL DATA

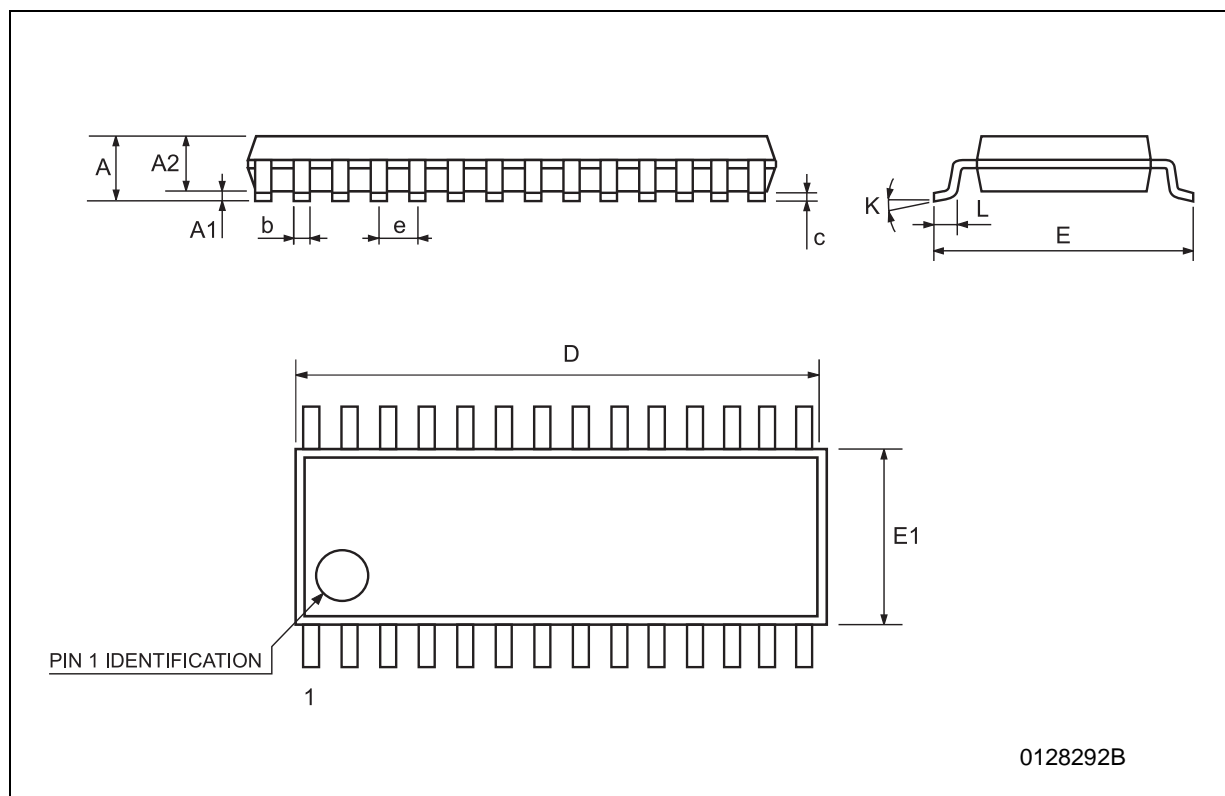
DIM.	mm.			inch		
	MIN.	TYP	MAX.	MIN.	TYP.	MAX.
A			2.65			0.104
a1	0.1		0.3	0.004		0.012
b	0.35		0.49	0.014		0.019
b1	0.23		0.32	0.009		0.012
C		0.5			0.020	
c1	45° (typ.)					
D	17.70		18.10	0.697		0.713
E	10.00		10.65	0.393		0.419
e		1.27			0.050	
e3		16.51			0.650	
F	7.40		7.60	0.291		0.300
L	0.50		1.27	0.020		0.050
S	8° (max.)					



0016023

TSSOP28 MECHANICAL DATA

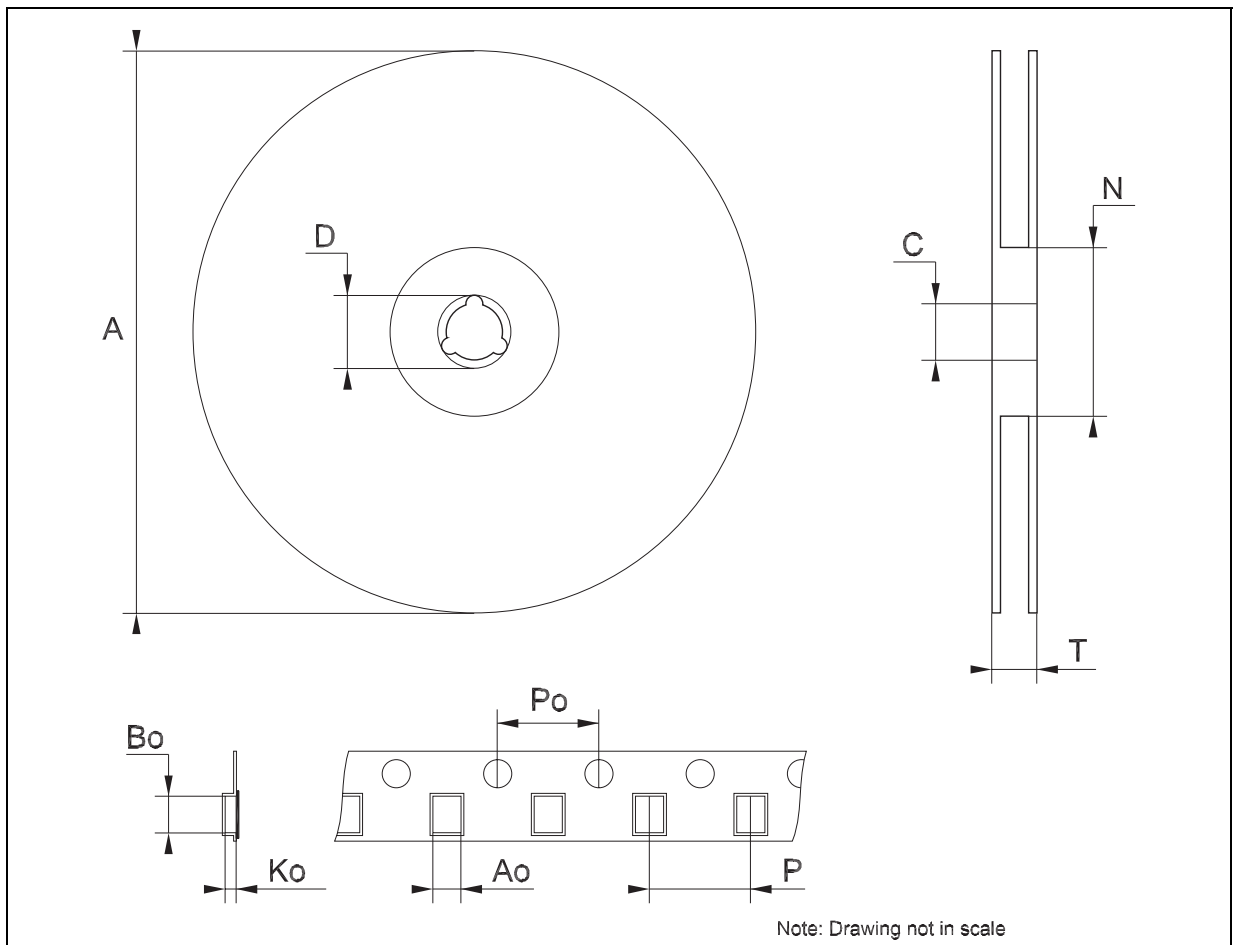
DIM.	mm.			inch		
	MIN.	TYP	MAX.	MIN.	TYP.	MAX.
A			1.2			0.047
A1	0.05		0.15	0.002	0.004	0.006
A2	0.8	1	1.05	0.031	0.039	0.041
b	0.19		0.30	0.007		0.012
c	0.09		0.20	0.004		0.0079
D	9.6	9.7	9.8	0.378	0.382	0.386
E	6.2	6.4	6.6	0.244	0.252	0.260
E1	4.3	4.4	4.48	0.169	0.173	0.176
e		0.65 BSC			0.0256 BSC	
K	0°		8°	0°		8°
L	0.45	0.60	0.75	0.018	0.024	0.030



0128292B

Tape & Reel SO-28 MECHANICAL DATA

DIM.	mm.			inch		
	MIN.	TYP	MAX.	MIN.	TYP.	MAX.
A			330			12.992
C	12.8		13.2	0.504		0.519
D	20.2			0.795		
N	60			2.362		
T			30.4			1.197
Ao	10.8		11.0	0.425		0.433
Bo	18.2		18.4	0.716		0.724
Ko	2.9		3.1	0.114		0.122
Po	3.9		4.1	0.153		0.161
P	11.9		12.1	0.468		0.476



Tape & Reel TSSOP28 MECHANICAL DATA

DIM.	mm.			inch		
	MIN.	TYP	MAX.	MIN.	TYP.	MAX.
A			330			12.992
C	12.8		13.2	0.504		0.519
D	20.2			0.795		
N	60			2.362		
T			22.4			0.882
Ao	6.8		7	0.268		0.276
Bo	10.1		10.3	0.398		0.406
Ko	1.7		1.9	0.067		0.075
Po	3.9		4.1	0.153		0.161
P	11.9		12.1	0.468		0.476

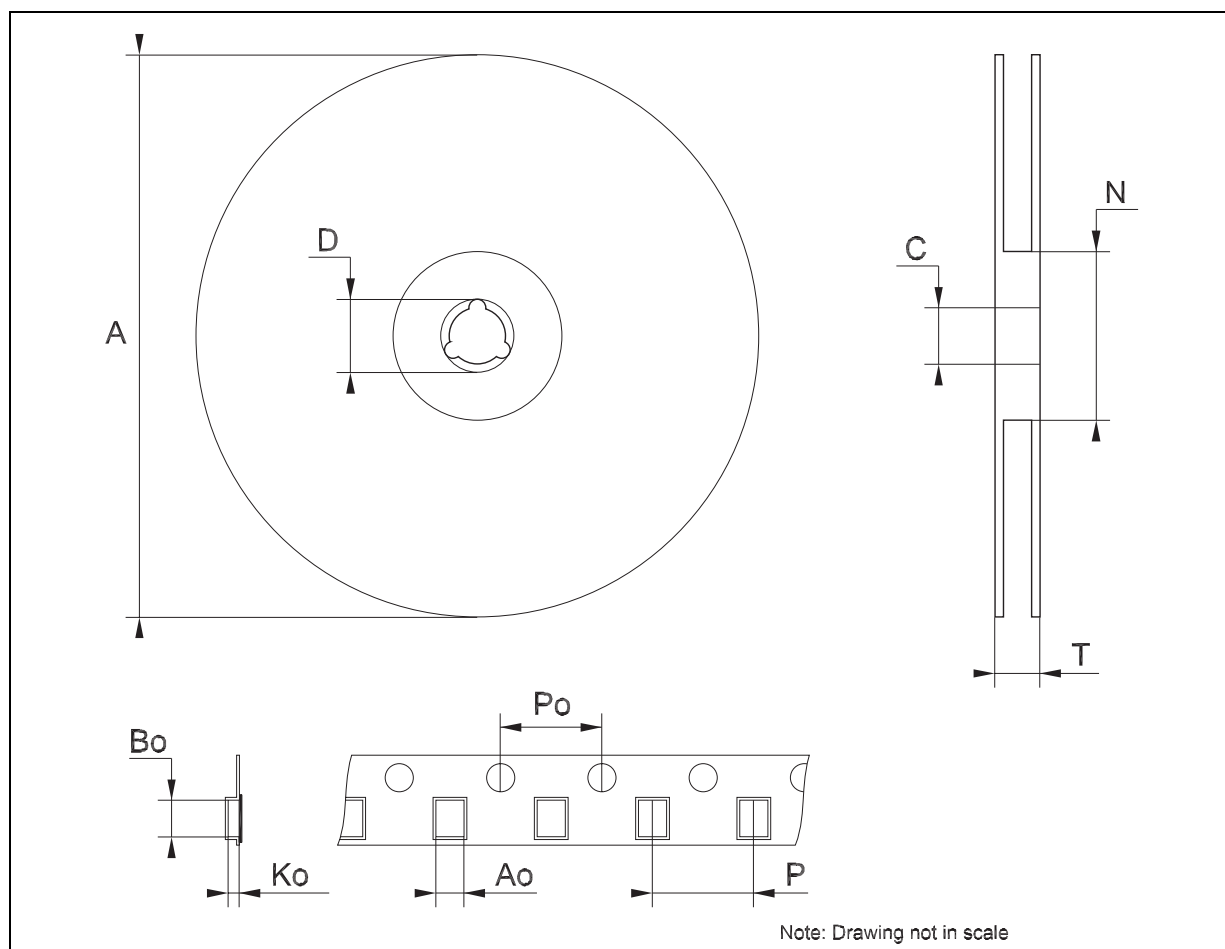


Table 22: Revision History

Date	Revision	Description of Changes
31-Jan-2005	1	First Release.

Information furnished is believed to be accurate and reliable. However, STMicroelectronics assumes no responsibility for the consequences of use of such information nor for any infringement of patents or other rights of third parties which may result from its use. No license is granted by implication or otherwise under any patent or patent rights of STMicroelectronics. Specifications mentioned in this publication are subject to change without notice. This publication supersedes and replaces all information previously supplied. STMicroelectronics products are not authorized for use as critical components in life support devices or systems without express written approval of STMicroelectronics.

The ST logo is a registered trademark of STMicroelectronics

All other names are the property of their respective owners

© 2005 STMicroelectronics - All Rights Reserved

STMicroelectronics group of companies

Australia - Belgium - Brazil - Canada - China - Czech Republic - Finland - France - Germany - Hong Kong - India - Israel - Italy - Japan - Malaysia - Malta - Morocco - Singapore - Spain - Sweden - Switzerland - United Kingdom - United States of America

www.st.com