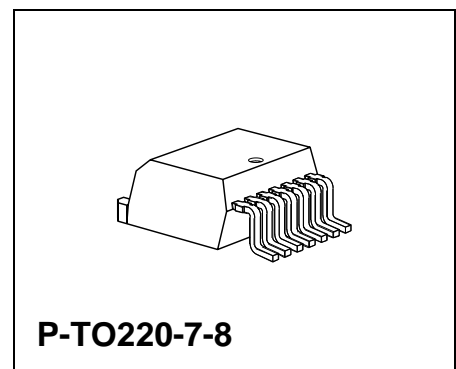
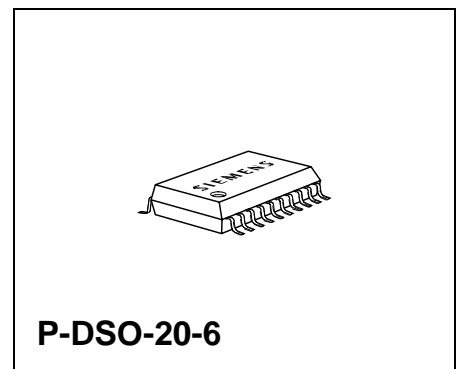
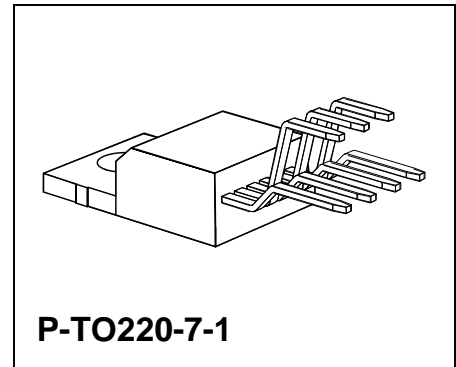


### Features

- High accuracy  $5\text{ V} \pm 2\%$
- Very low-drop voltage
- Very low quiescent current
- Low starting-current consumption
- Proof against reverse polarity
- Input voltage up to 42 V
- Overvoltage protection up to 65 V ( $\leq 400\text{ ms}$ )
- Short-circuit-proof
- External setting of reset delay
- Integrated watchdog circuit
- Wide temperature range
- Overtemperature protection
- Suitable for automotive use
- EMC proofed (100 V/m)



Type	Ordering Code	Package
▼ TLE 4261-2	Q67000-A9110	P-TO220-7-1
▼ TLE 4261-2 G	Q67000-A9140	P-DSO-20-6 (SMD)
▼ TLE 4261-2 GL	Q67006-A9193	P-TO220-7-8 (SMD)

- ▼ Please also refer to the new pin compatible device  
TLE 4271

### Functional Description

TLE 4261-2 is a high accuracy 5-V low-drop voltage regulator in a P-TO220-7 or in a P-DSO package. The maximum input voltage is 42 V (65 V/ $\leq 400\text{ ms}$ ). The device can produce an output current of more than 500 mA. It is short-circuit-proof and incorporates temperature protection that disables the circuit at impermissibly high temperatures.

## Application Description

The IC regulates an input voltage  $V_I$  in the range  $6\text{ V} < V_I < 40\text{ V}$  to  $V_{\text{Qrated}} = 5.0\text{ V}$ . A reset signal is generated for an output voltage  $V_O$  of  $< 4.75\text{ V}$ . The reset delay can be set with an external capacitor. A connected microprocessor is monitored by the integrated watchdog circuit; if pulses are missing, the reset output is set low. The pulse repetition rate can be set within wide limits with the capacitor for reset delay. If this input is connected to a voltage of  $> 6\text{ V}$ , the watchdog function is deactivated. The device also features an inhibit input, which is activated by a voltage of  $> 6\text{ V}$  and then works on this input through internal hysteresis up to approx.  $3\text{ V}$ . A voltage of  $< 2\text{ V}$  on the inhibit input turns off the regulator, current drain then dropping to max.  $50\text{ }\mu\text{A}$ .

## Design Notes for External Components

The input capacitor  $C_1$  causes a low-resistance powerline and limits the rise times of the input voltage. The IC is protected against rise times up to  $100\text{ V}/\mu\text{s}$ . It is possible to damp the tuned circuit consisting of supply inductance and input capacitance with a resistor of approx.  $1\text{ }\Omega$  in series to  $C_1$ .

The output capacitor maintains the stability of the regulating loop. Stability is guaranteed with a rating of  $22\text{ }\mu\text{F}$  min. at an ESR of  $3\text{ }\Omega$  max. in the operating temperature range.

## Circuit Description

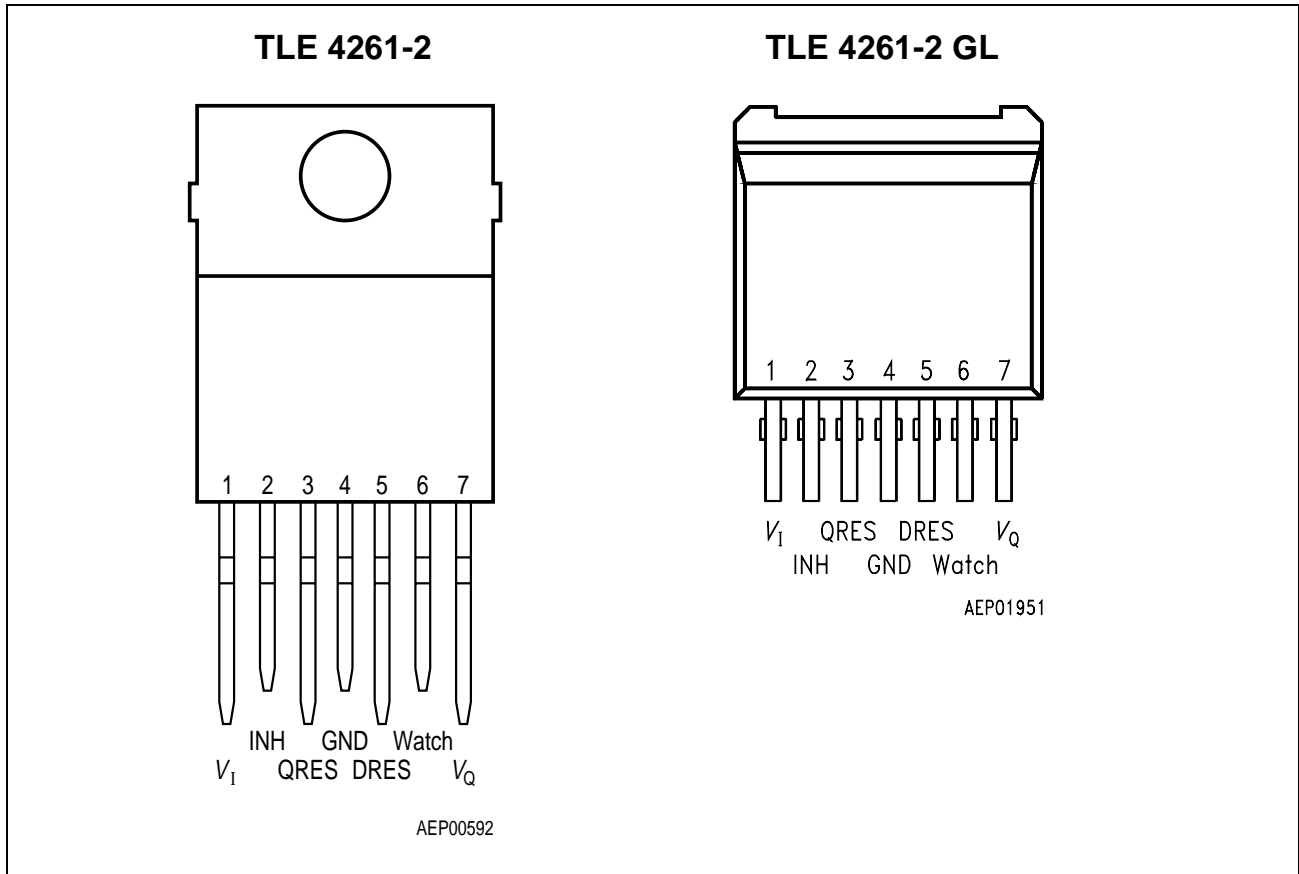
The control amplifier compares a reference voltage, which is kept highly accurate by resistance adjustment, to a voltage that is proportional to the output voltage and controls the base of the series PNP transistor via a buffer. Saturation control as a function of the load current prevents any over-saturation of the power element. If the output voltage drops below 95.5% of its typical value for more than  $2\text{ }\mu\text{s}$ , a reset signal is triggered on pin 3 and an external capacitor discharged on pin 5. The reset signal is not cancelled until the voltage on the capacitor has exceeded the upper switching threshold  $V_{\text{DT}}$ . A positive-edge-triggered watchdog circuit monitors the connected microprocessor and will likewise trigger a reset if pulses are missing. The IC can be disabled by a low level on the inhibit input and the current consumption drops to  $< 50\text{ }\mu\text{A}$ .

The IC also incorporates a number of circuits for protection against:

- Overload
- Overvoltage
- Overtemperature
- Reverse polarity

## Pin Configuration

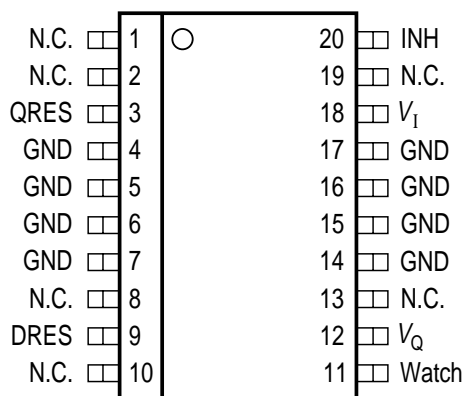
(top view)



## Pin Definitions and Functions

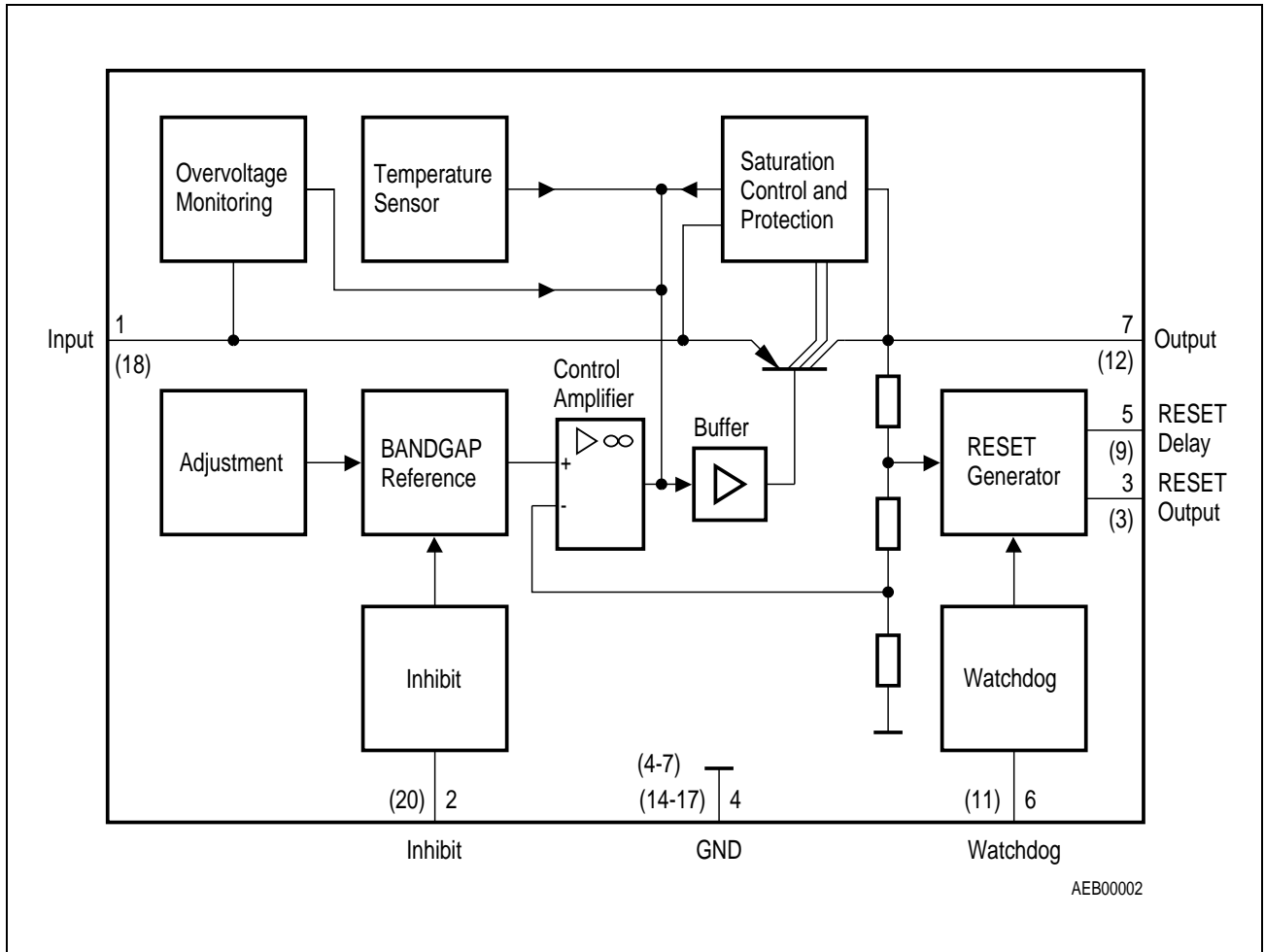
Pin No.	Symbol	Function
1	$V_1$	<b>Input voltage</b> ; block a capacitor directly to ground on the IC. The capacitor rating will depend on the vehicle electric system. Oscillation of the output voltage can be damped by a resistor of approx. $1 \Omega$ in series with the input capacitor.
2	INH	<b>Inhibit</b> ; switches off the IC when low.
3	QRES	<b>Reset output</b> ; open collector output controlled by the reset delay.
4	GND	<b>Ground</b>
5	DRES	<b>Reset delay</b> ; wired to ground using a capacitor.
6	Watch	<b>Watchdog</b> ; monitors the microprocessor when active.
7	$V_Q$	<b>5-V output</b> ; block to ground using a capacitor of $\geq 22\text{-}\mu\text{F}$ . ESR is $\leq 3 \Omega$ in the operating temperature range.

**TLE 4261-2 G**



AEP01182

Pin No.	Symbol	Function
18	$V_I$	<b>Input voltage</b> ; block a capacitor directly to ground on the IC. The capacitor rating will depend on the vehicle electric system. Oscillation of the output voltage can be damped by a resistor of approx. 1 $\Omega$ in series with the input capacitor.
20	INH	<b>Inhibit</b> ; switches off the IC when low.
3	QRES	<b>Reset output</b> ; open collector output controlled by the reset delay.
4 -7, 14 - 17	GND	<b>Ground</b>
9	DRES	<b>Reset delay</b> ; wired to ground using a capacitor.
11	Watch	<b>Watchdog</b> ; monitors the microprocessor when active.
12	$V_Q$	<b>5-V output</b> ; block to ground using a capacitor of $\geq 22\text{-}\mu\text{F}$ . ESR is $\leq 3 \Omega$ in the operating temperature range.
1, 2, 8, 10, 13, 19	N.C.	<b>Not connected</b>



Block Diagram

## Absolute Maximum Ratings

$T_J = -40$  to  $150$  °C

Parameter	Symbol	Limit Values		Unit	Remarks
		min.	max.		

### Input

Input voltage	$V_I$	- 42	42	V	-
	$V_I$	-	65	V	$t \leq 400$ ms
Input current	$I_I$	-	1.6	A	-

### Inhibit

Voltage	$V_2$	- 0.3	42	V	-
Current	$I_2$	-	5	mA	-

### Reset Output

Voltage	$V_R$	- 0.3	42	V	-
Current	$I_R$	-	-	-	internally limited

### Ground

Current	$I_{GND}$	-	0.5	A	-
---------	-----------	---	-----	---	---

### Reset Delay

Voltage	$V_D$	- 0.3	42	V	-
Current	$I_D$	-	-	-	internally limited

### Output

Differential voltage	$V_I - V_Q$	- 5.25	$V_I$	V	-
Current	$I_Q$	-	1.4	A	-

**Absolute Maximum Ratings** (cont'd) $T_J = -40$  to  $150$  °C

Parameter	Symbol	Limit Values		Unit	Remarks
		min.	max.		

**Temperature**

Junction temperature	$T_j$	–	150	°C	–
Storage temperature	$T_{stg}$	– 50	150	°C	–

**Operating Range**

Input voltage	$V_I$ <sup>1)</sup>	–	32	V	–
Junction temperature	$T_j$	– 40	150	°C	–

**Thermal Resistance**

System-air	$R_{thSA}$	–	65 (70) <sup>2)</sup>	K/W	–
System-case	$R_{thSC}$	–	3 (15) <sup>2)</sup>	K/W	–

<sup>1)</sup> see diagram

<sup>2)</sup> Figures in parenthesis refer to TLE 4261-2 G.

## Characteristics

$V_1 = 13.5 \text{ V}$ ;  $T_j = 25 \text{ °C}$ ;  $V_5 \geq 6 \text{ V}$  (unless otherwise specified)

Parameter	Symbol	Limit Values			Unit	Test Condition
		min.	typ.	max.		

## Normal Operation

Output voltage	$V_Q$	4.9	5.0	5.1	V	$I_Q = 100 \text{ mA}$ $-40 \text{ °C} \leq T_j \leq 125 \text{ °C}$
Output current	$I_Q$	–	–	50	$\mu\text{A}$	$0 \text{ V} \leq V_1 \leq 2 \text{ V}$ ; $V_2 = V_1$ ; $-40 \text{ °C} \leq T_j \leq 125 \text{ °C}$
Output current	$I_Q$	500	1000	–	mA	$V_1 = 17 \text{ V to } 28 \text{ V}$
Current consumption $I_q = I_1 - I_Q$	$I_q$	–	–	3.5	mA	$I_Q = 0 \text{ mA}$ , $V_W > 6 \text{ V}$
Current consumption $I_q = I_1 - I_Q$	$I_q$	–	–	10	mA	$6 \text{ V} \leq V_1 \leq 28 \text{ V}$ $I_Q = 150 \text{ mA}$
Current consumption $I_q = I_1 - I_Q$	$I_q$	–	5.0	65	mA	$6 \text{ V} \leq V_1 \leq 28 \text{ V}$ $I_Q = 500 \text{ mA}$
Current consumption $I_q = I_1 - I_Q$	$I_q$	–	40	80	mA	$V_1 \leq 6 \text{ V}$ $I_Q = 500 \text{ mA}$
Drop voltage	$V_{DR}$	–	0.35	0.5	V	$V_1 = 4.5 \text{ V}$ ; $I_Q = 0.5 \text{ A}$
Drop voltage	$V_{DR}$	–	0.2	0.3	V	$V_1 = 4.5 \text{ V}$ ; $I_Q = 0.15 \text{ A}$
Load regulation	$\Delta V_Q$	–	15	35	mV	$25 \text{ mA} \leq I_Q \leq 500 \text{ mA}$
Supply-voltage regulation	$\Delta V_Q$	–	15	50	mV	$V_1 \leq 6 \text{ V to } 28 \text{ V}$ ; $I_Q = 100 \text{ mA}$
Supply-voltage regulation	$\Delta V_Q$	–	5	25	mV	$V_1 \leq 6 \text{ V to } 16 \text{ V}$ ; $I_Q = 100 \text{ mA}$
Ripple rejection	$SVR$	–	54	–	dB	$f = 100 \text{ Hz}$ ; $V_r = 0.5 V_{SS}$
Temperature drift of output voltage	$\alpha_{VQ}$	–	$2 \times 10^{-4}$	–	$1/\text{°C}$	–



## Characteristics (cont'd)

$V_1 = 13.5 \text{ V}$ ;  $T_j = 25 \text{ }^\circ\text{C}$ ;  $V_5 \geq 6 \text{ V}$  (unless otherwise specified)

Parameter	Symbol	Limit Values			Unit	Test Condition
		min.	typ.	max.		

## Inhibit Operation

Current consumption	$I_1$	–	–	50	$\mu\text{A}$	$V_2 = 2 \text{ V}$ ; $I_Q = 0$
Current consumption	$I_2$	–	–	100	$\mu\text{A}$	$V_2 = 6 \text{ V}$
Switching threshold for inhibit	$V_2$	5.0	5.5	6.0	V	IC turned ON
Switching threshold for inhibit	$V_2$	2.0	2.7	3.7	V	IC turned OFF

## Reset Generator

Switching threshold	$V_{RT}$	94	95.5	97	%	in % of $V_Q$ ; $I_Q > 500 \text{ mA}$ ; $V_1 = 6 \text{ V}$
Saturation voltage, reset output	$V_R$	–	0.25	0.40	V	$I_R = 1 \text{ mA}$
Reverse current	$I_R$	–	–	1	$\mu\text{A}$	$V_R = 5 \text{ V}$
Charge current	$I_D$	18.75	25	31.25	$\mu\text{A}$	$V_C = 1.5 \text{ V}$
Switching threshold	$V_{ST}$	0.9	1	1.1	V	–
Delay switching threshold	$V_{DT}$	2.25	2.50	2.75	V	–
Saturation voltage, delay output	$V_C$	–	–	100	mV	$V_1 = 4.5 \text{ V}$ and $I_d$
Delay time	$t_D$	–	10	–	ms	$C_D = 100 \text{ nF}$
Delay time	$t_t$	–	2	–	$\mu\text{s}$	–

## Characteristics (cont'd)

$V_1 = 13.5 \text{ V}$ ;  $T_j = 25 \text{ °C}$ ;  $V_5 \geq 6 \text{ V}$  (unless otherwise specified)

Parameter	Symbol	Limit Values			Unit	Test Condition
		min.	typ.	max.		

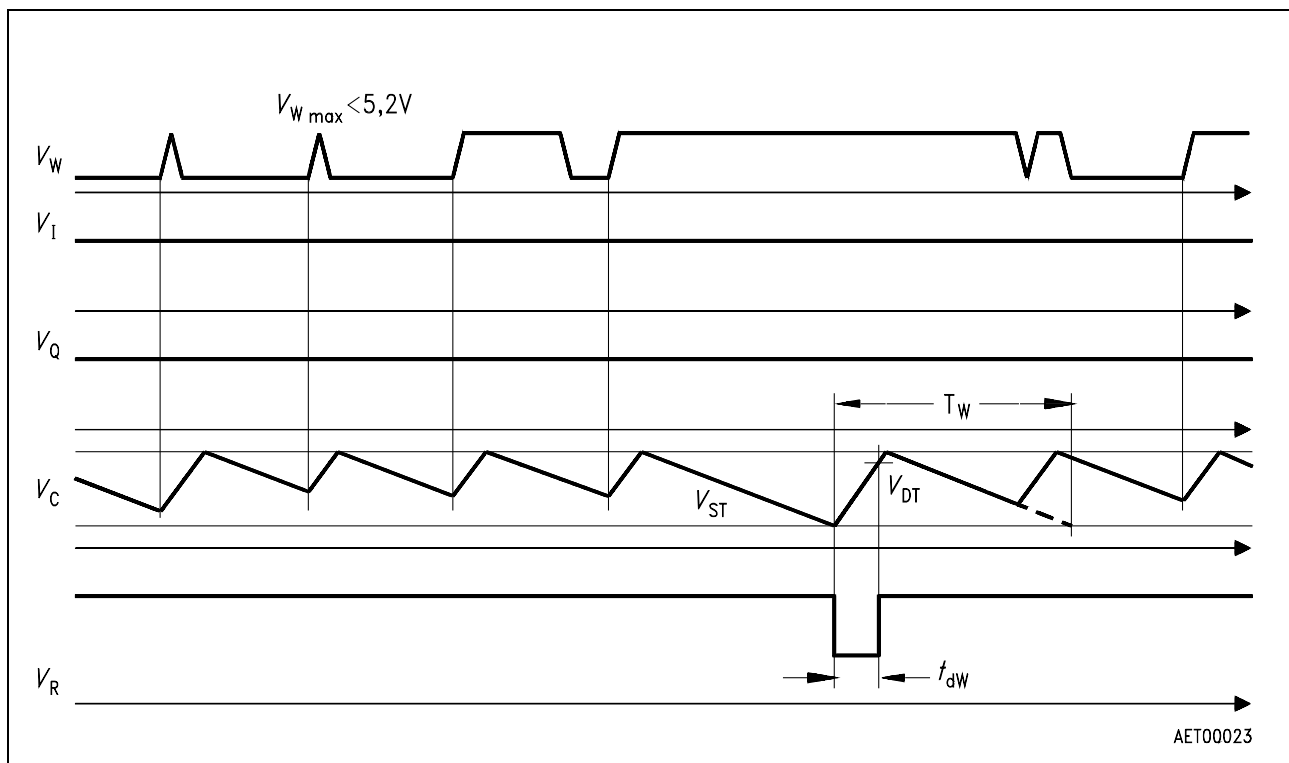
## Watchdog

Turn-OFF voltage	$V_W$	5.2	5.6	6.0	V	–
Discharge current	$I_{CD}$	5.6	7.5	9.4	$\mu\text{A}$	$V_C = 1.5 \text{ V}$
Switching voltage	$V_{CD}$	2.95	3.05	3.15	V	–
Pulse intervall	$T_W$	–	35	–	ms	$C_D = 100 \text{ nF}$

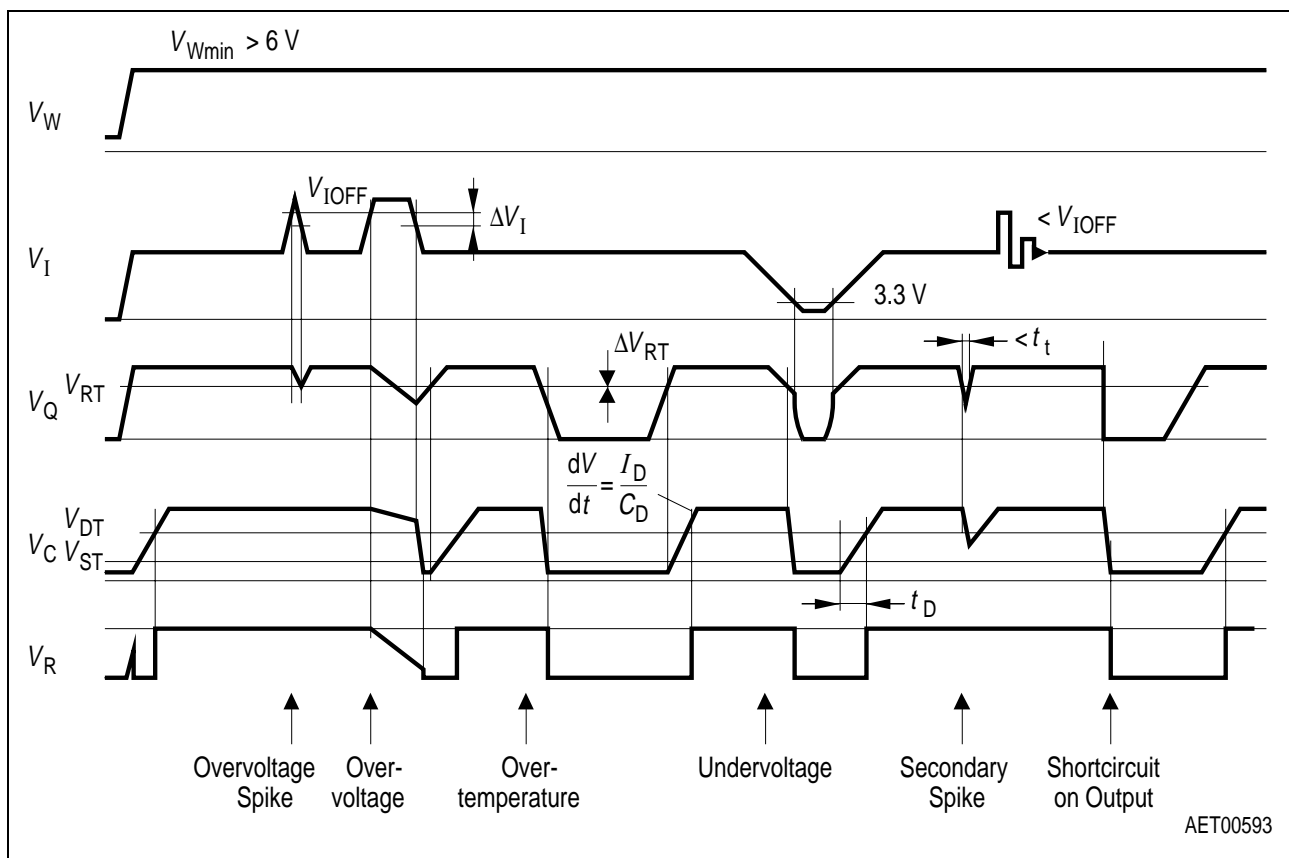
## General Data

Turn-Off voltage	$V_{IOFF}$	41	43	45	V	$I_Q < 1 \text{ mA}$
Turn-Off hysteresis	$\Delta V_1$	–	6.5	–	V	–
Leakage current	$I_{QS}$	–	–	50	$\mu\text{A}$	$V_Q = 0 \text{ V}$ ; $V_1 = 45 \text{ V}$
Reverse output current	$I_{QR}$	–	–	1.5	mA	$V_Q = 5 \text{ V}$ ; $V_1$ and $V_2$ open



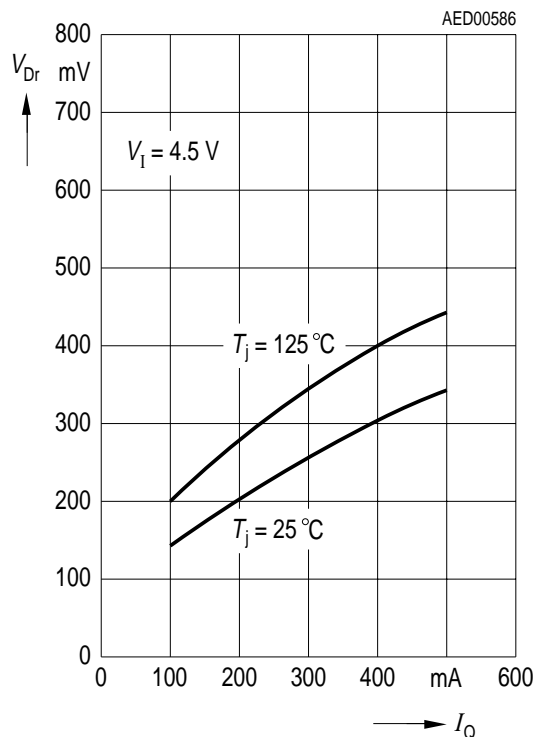


Time Response in Watchdog Condition

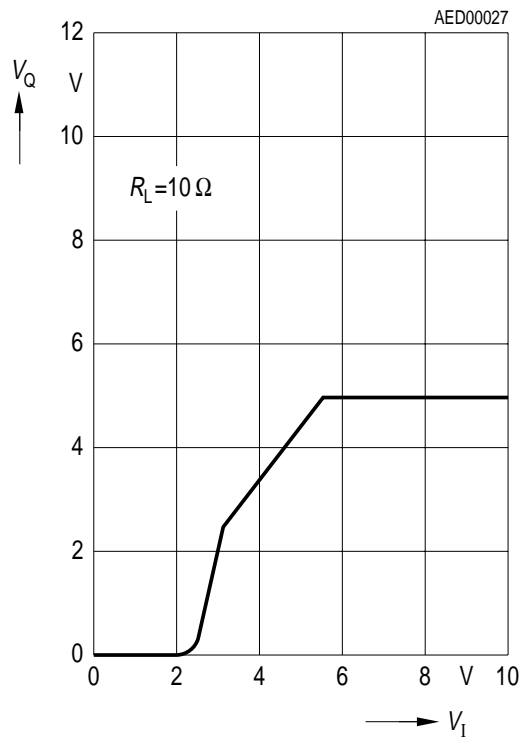


Timing with Watchdog OFF

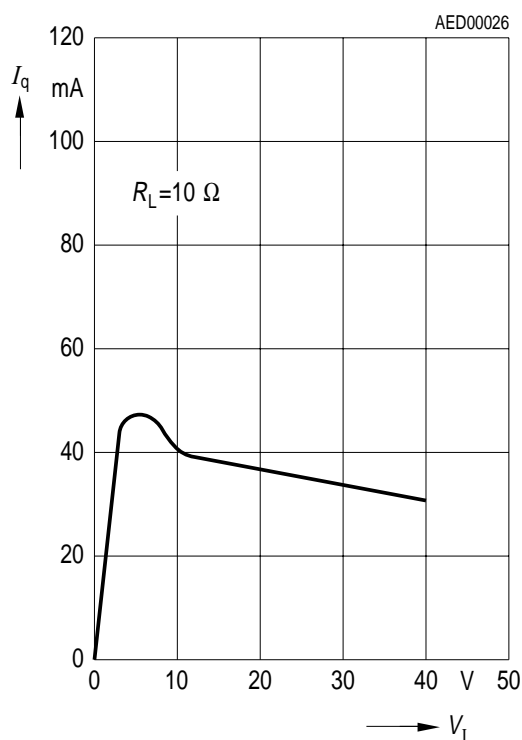
Drop Voltage versus Output Current



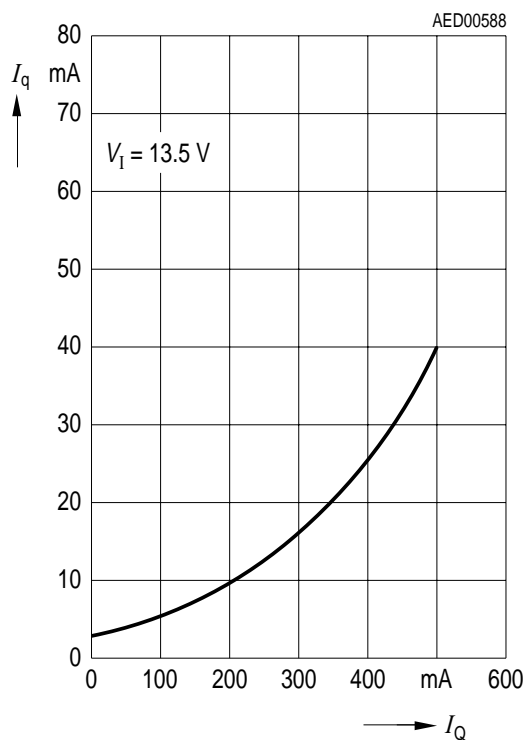
Output Voltage versus Input Voltage



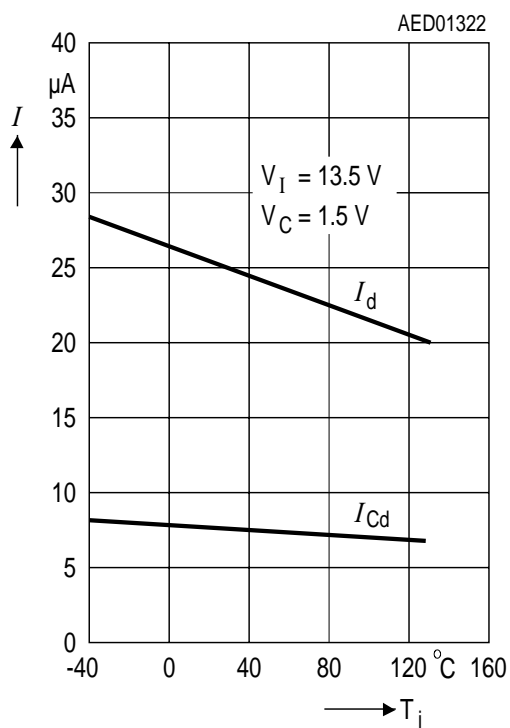
Current Consumption versus Input Voltage



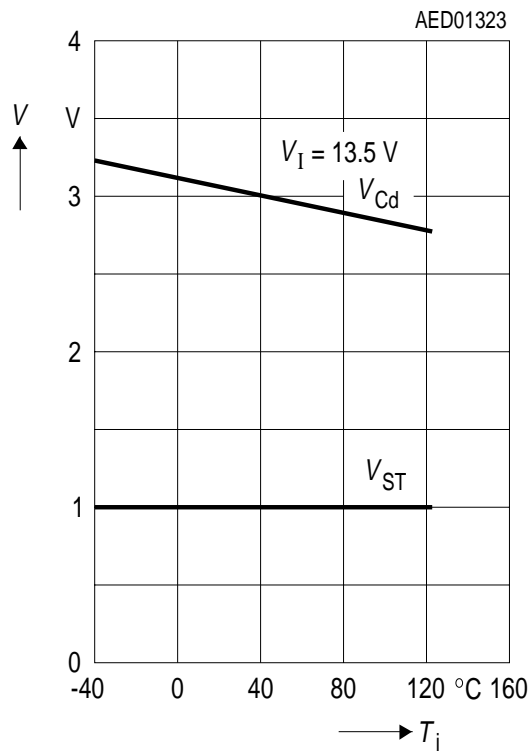
Current Consumption versus Output Current



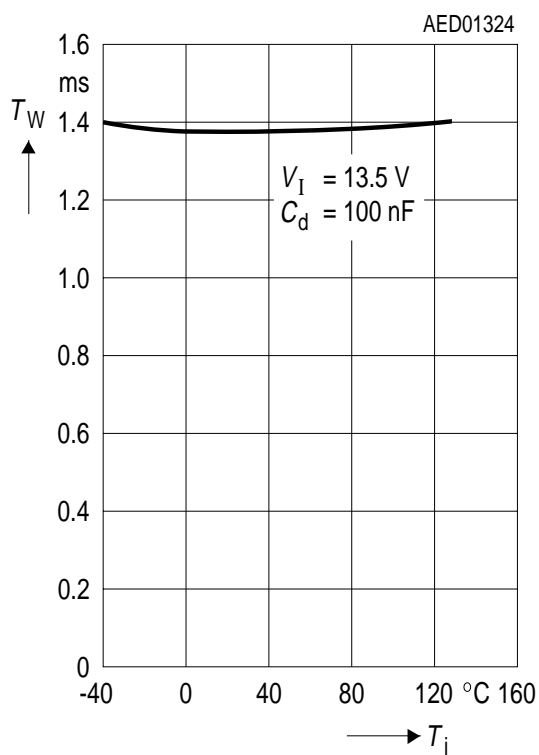
Charge Current  $I_D$  and Discharge Current  $I_{CD}$  versus Temperature



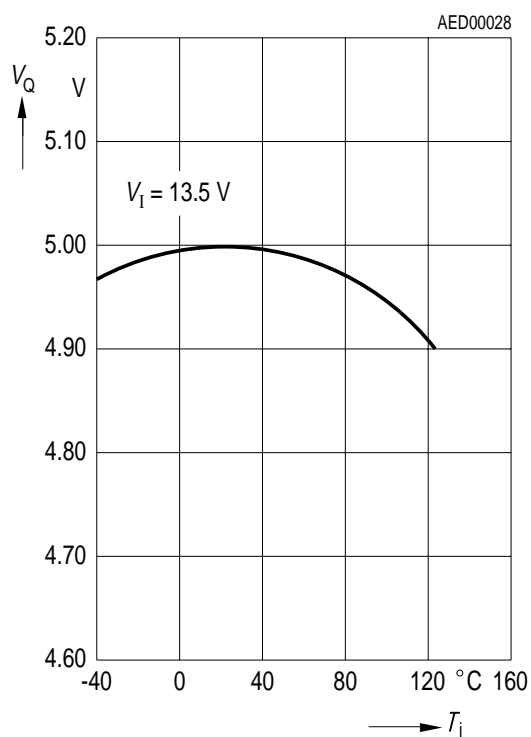
Switching Voltage  $V_{CD}$  and  $V_{ST}$  versus Temperature



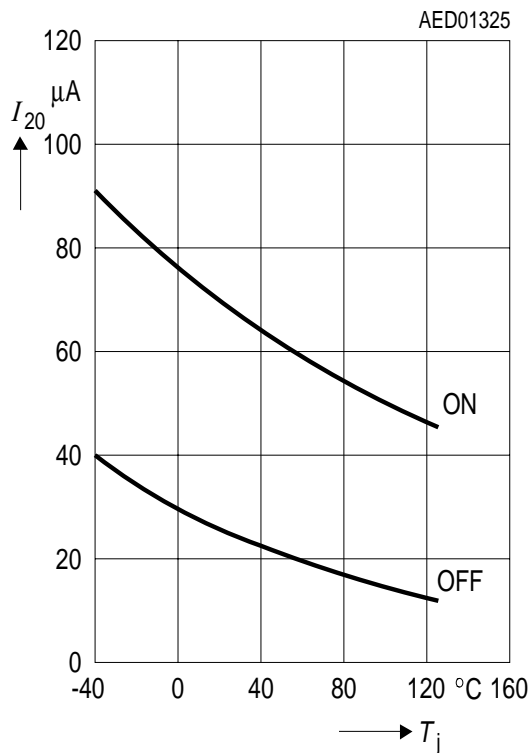
Pulse Interval  $T_W$  versus Temperature



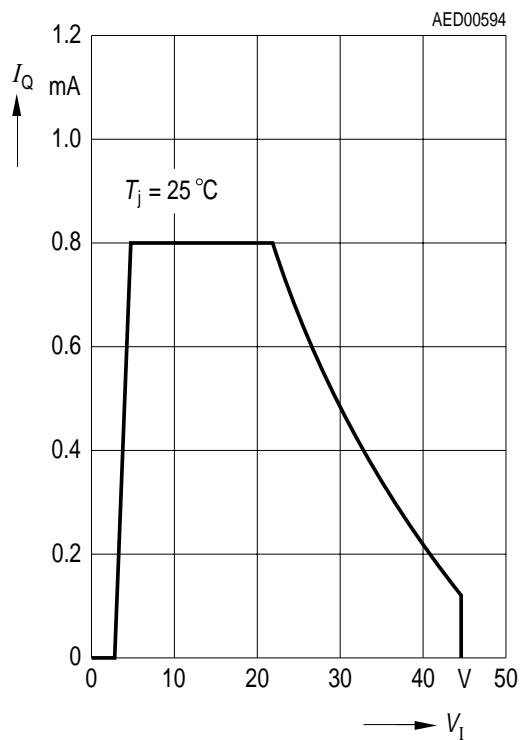
Output Voltage versus Temperature



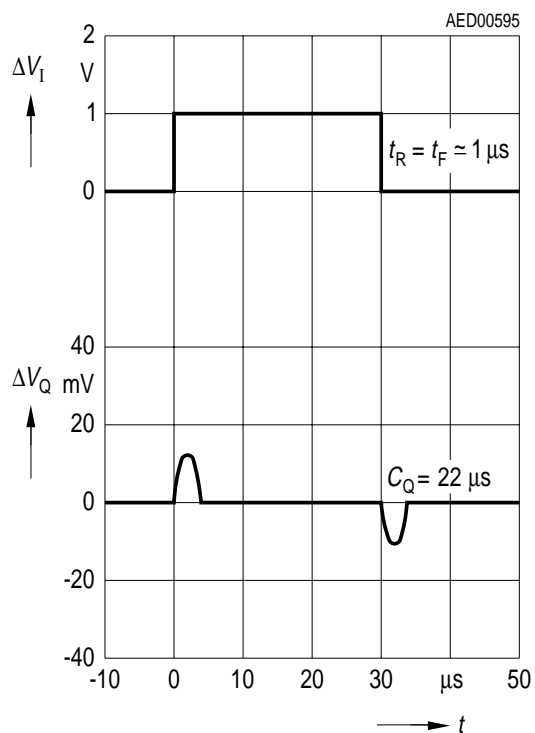
**Current Consumption of Inhibit at the Switching Point versus Temperature**



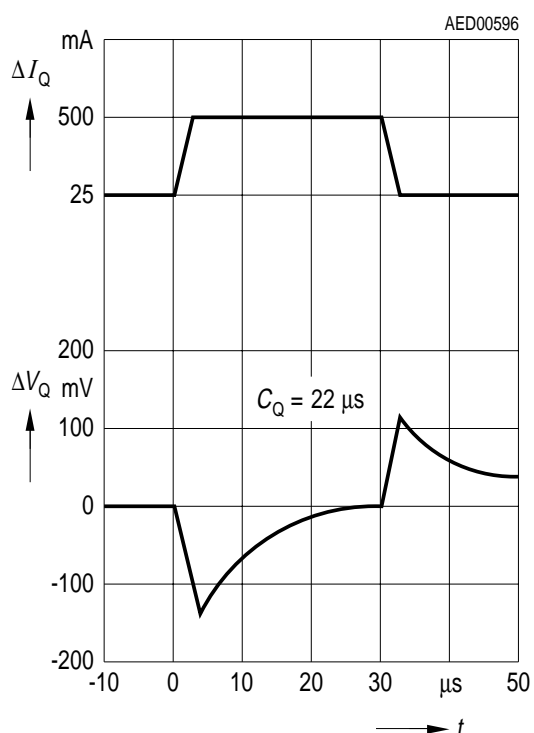
**Output Current versus Input Voltage**



**Input Step Response**



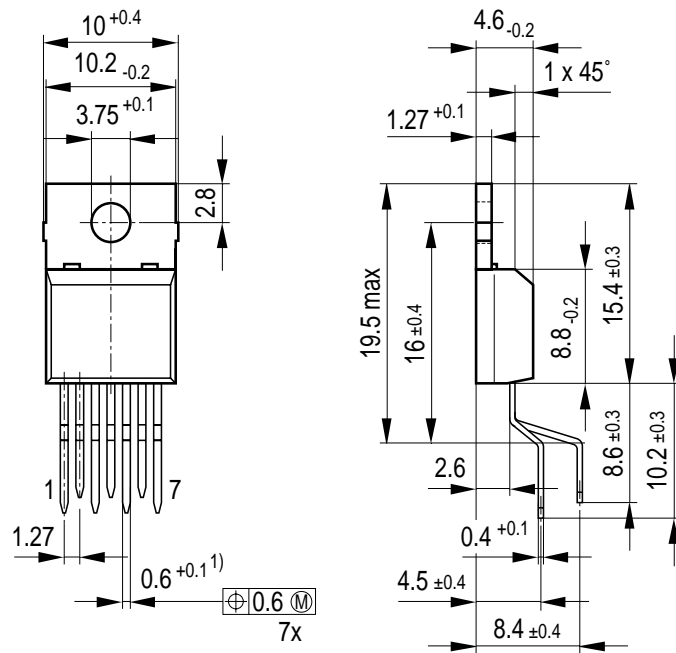
**Load Step Response**



Package Outlines

**P-TO220-7-1**

(Plastic Transistor Single Outline)



- 1)  $0.75_{-0.15}$  at dam bar (max 1.8 from body)
  - 1)  $0.75_{-0.15}$  im Dichtstegbereich (max 1.8 vom Körper)
- GPT05108

**Sorts of Packing**

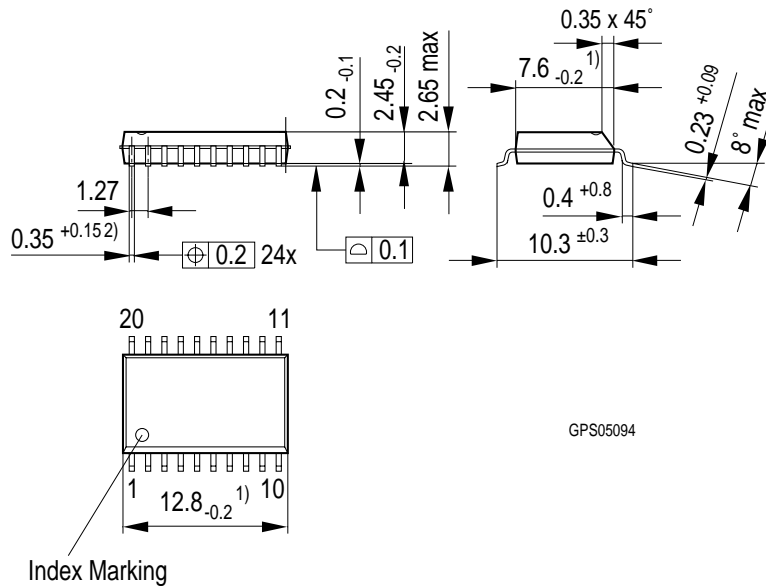
Package outlines for tubes, trays etc. are contained in our Data Book "Package Information".

Dimensions in mm





**P-DSO-20-6**  
(Plastic Dual Small Outline)



GPS05094

- 1) Does not include plastic or metal protrusions of 0.15 max per side
- 2) Does not include dambar protrusion of 0.05 max per side

**Sorts of Packing**

Package outlines for tubes, trays etc. are contained in our Data Book "Package Information".

SMD = Surface Mounted Device

Dimensions in mm