

SANYO	No.2969A	2SC4269
		NPN Epitaxial Planar Silicon Transistor VHF Converter, Local Oscillator Applications

Features

- High power gain : PG=15dB typ (f=0.4GHz)
- High cutoff frequency : $f_T=1.2\text{GHz typ}$

Absolute Maximum Ratings at Ta = 25°C

			unit
Collector to Base Voltage	V_{CBO}	30	V
Collector to Emitter Voltage	V_{CEO}	15	V
Emitter to Base Voltage	V_{EBO}	3	V
Collector Current	I_C	50	mA
Base Current	I_B	20	mA
Collector Dissipation	P_C	250	mW
Junction Temperature	T_j	150	°C
Storage Temperature	T_{stg}	-55 to +150	°C

Electrical Characteristics at Ta = 25°C

			min	typ	max	unit
Collector Cutoff Current	I_{CBO}	$V_{CB}=20V, I_E=0$			0.1	μA
Emitter Cutoff Current	I_{EBO}	$V_{EB}=2V, I_C=0$			1	μA
DC Current Gain	h_{FE}	$V_{CE}=10V, I_C=5mA$	40*		200*	
Gain-Bandwidth Product	f_T	$V_{CE}=10V, I_C=10mA$	0.6	1.2		GHz
Output Capacitance	c_{ob}	$V_{CB}=10V, f=1MHz$		0.75	1.1	pF
Reverse Transfer Capacitance	c_{re}	$V_{CB}=10V, f=1MHz$		0.5		pF
Power Gain	PG	$V_{CE}=10V, I_C=10mA, f=0.4GHz$		15		dB
Noise Figure	NF	$V_{CE}=10V, I_C=3mA, f=0.4GHz$		2.0		dB

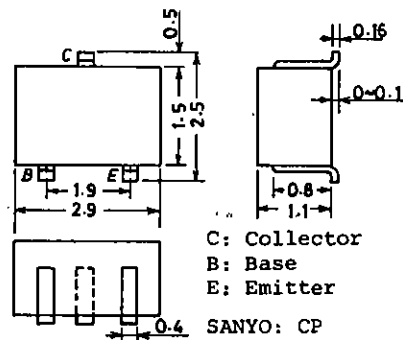
* : The 2SC4269 is classified by 5mA h_{FE} as follows:

40	2	80	60	3	120	100	4	200
----	---	----	----	---	-----	-----	---	-----

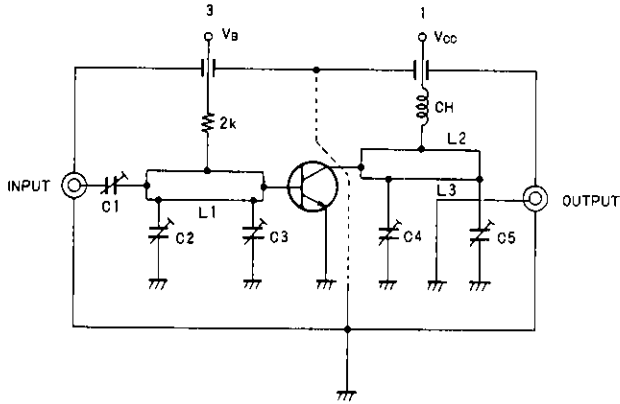
(Note) Marking : JT
 h_{FE} rank : 2,3,4

Package Dimensions 2018A

(unit : mm)

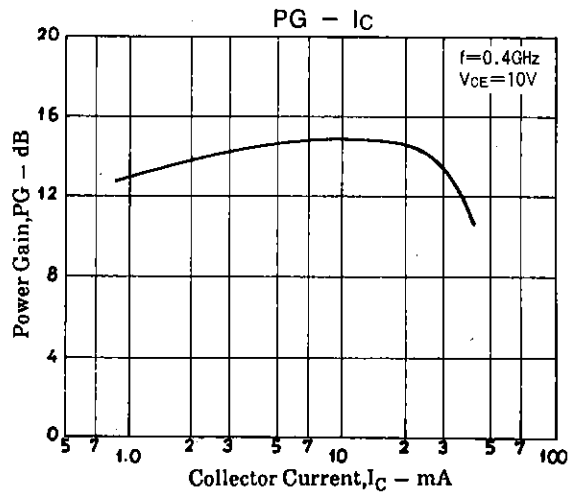
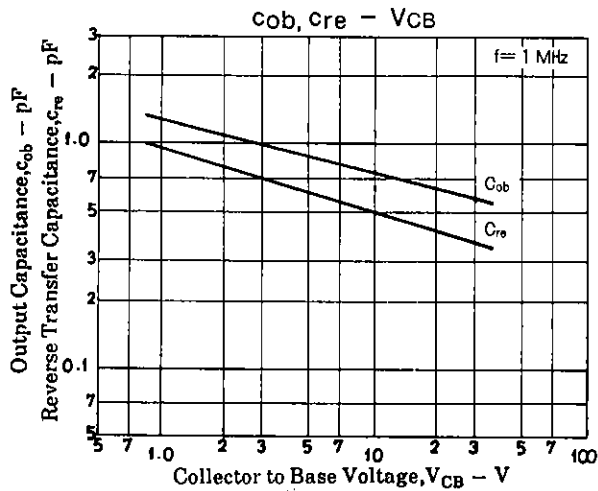
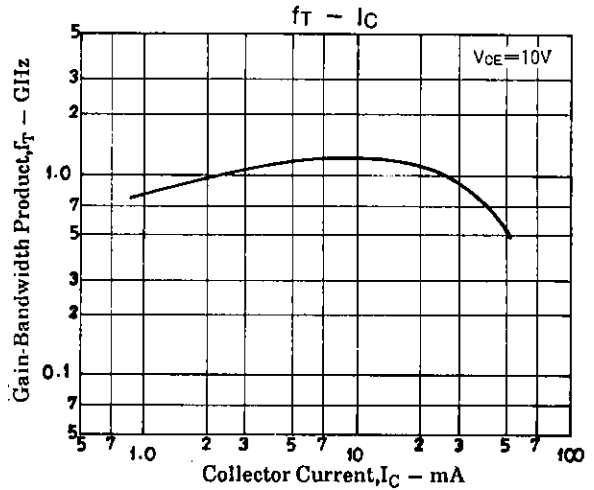
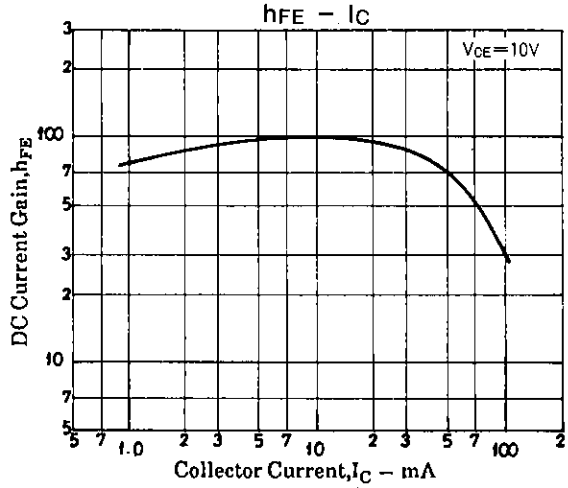


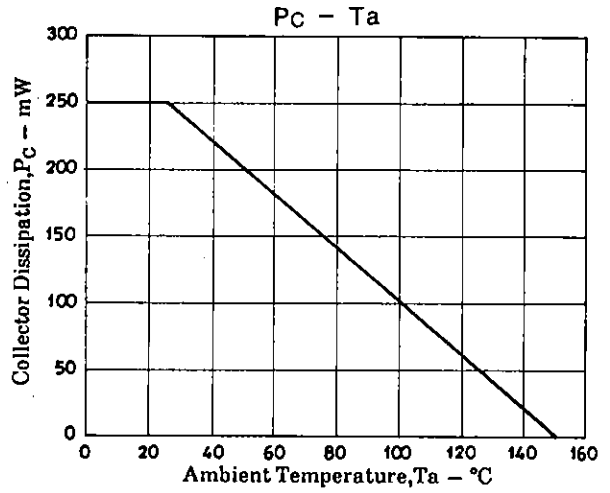
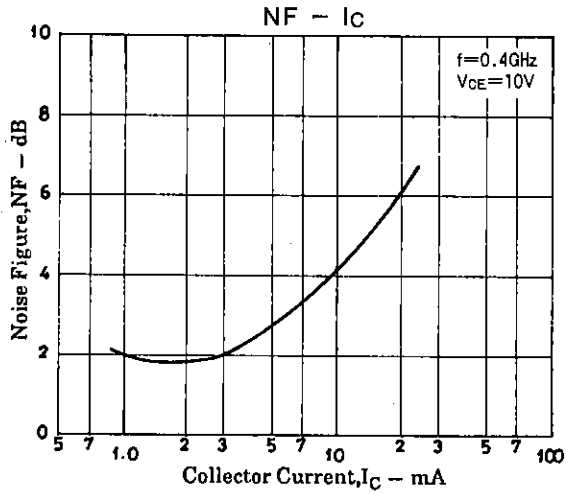
PG, NF Test Circuit



f = 400MHz	
C1	~20pF
C2	~10pF
C3	~10pF
C4	~20pF
C5	~30pF
L1	2φ, l = 40mm 2/3t
L2	2φ, l = 40mm 2/3t
L3	1φ, l = 40mm 1/2t

Unit (Resistance : Ω)

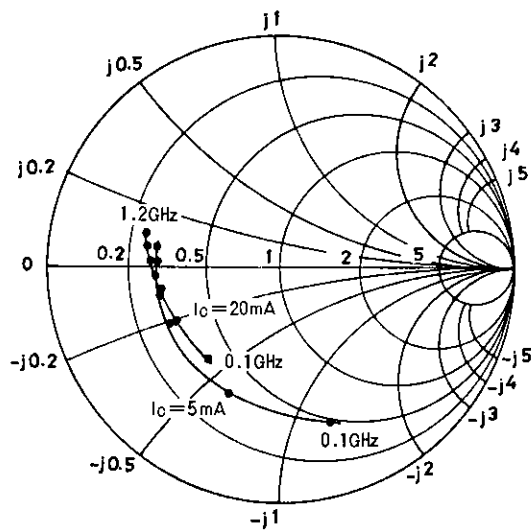




S parameter

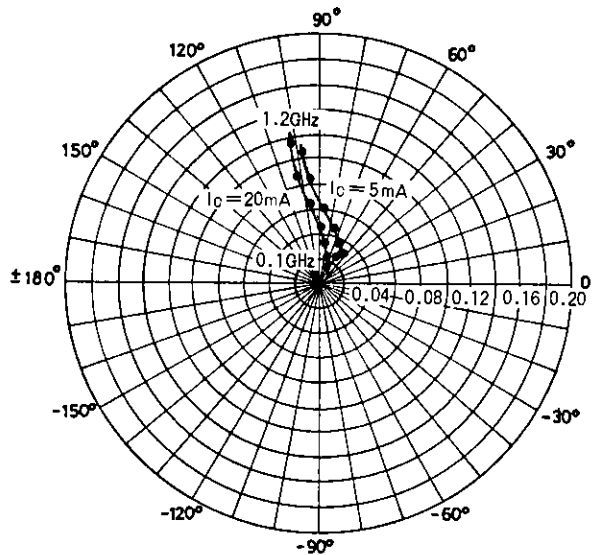
S11e : VCE=10V

f=100MHz, 200~1200MHz(200MHz step)



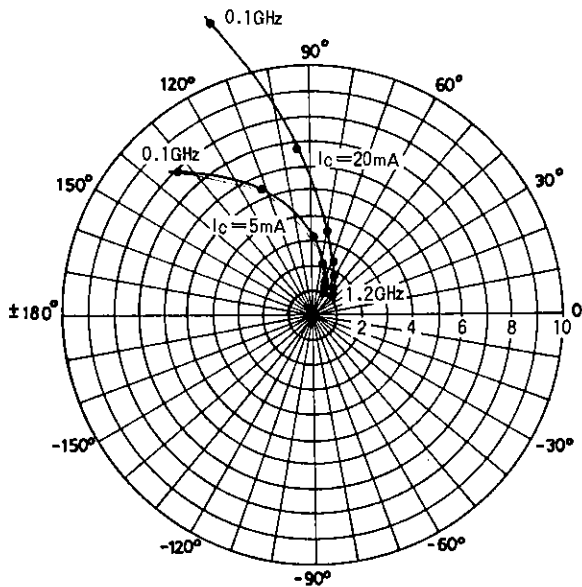
S12e : VCE=10V

f=100MHz, 200~1200MHz(200MHz step)



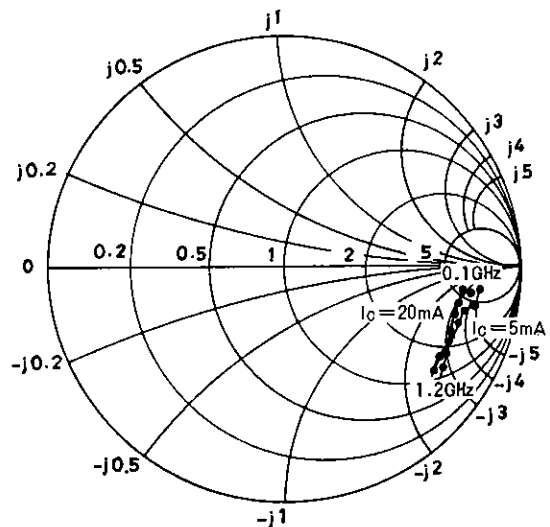
S21e : VCE=10V

f=100MHz, 200~1200MHz(200MHz step)



S22e : VCE=10V

f=100MHz, 200~1200MHz(200MHz step)



S parameter (Common emitter) $V_{CE}=10V, I_C=5\text{ mA}, Z_0=50\Omega$

Freq (MHz)	$ S_{11} $	$\angle S_{11}$	$ S_{21} $	$\angle S_{21}$	$ S_{12} $	$\angle S_{12}$	$ S_{22} $	$\angle S_{22}$
100	0.703	-69.5	7.836	133.2	0.022	56.2	0.873	-10.4
200	0.529	-111.8	5.462	111.6	0.029	49.5	0.809	-12.1
400	0.543	-152.3	3.089	89.2	0.036	59.4	0.771	-15.2
600	0.538	-166.4	2.123	78.2	0.046	74.4	0.767	-19.6
800	0.541	-175.3	1.626	69.3	0.061	86.1	0.766	-25.0
1000	0.550	177.0	1.332	63.2	0.082	93.7	0.768	-29.7
1200	0.561	171.4	1.144	57.1	0.107	96.9	0.773	-35.4

 $V_{CE}=10V, I_C=20\text{mA}, Z_0=50\Omega$

Freq (MHz)	$ S_{11} $	$\angle S_{11}$	$ S_{21} $	$\angle S_{21}$	$ S_{12} $	$\angle S_{12}$	$ S_{22} $	$\angle S_{22}$
100	0.521	-127.8	12.130	109.6	0.014	56.2	0.783	-9.5
200	0.517	-153.4	6.656	94.7	0.020	64.9	0.753	-9.2
400	0.532	-169.8	3.328	79.1	0.032	77.9	0.745	-12.4
600	0.544	-177.2	2.236	69.2	0.047	86.8	0.751	-17.4
800	0.565	176.9	1.655	60.5	0.065	94.8	0.761	-23.1
1000	0.583	172.2	1.334	54.4	0.087	99.7	0.769	-28.1
1200	0.597	167.0	1.129	48.4	0.114	101.2	0.776	-34.0

■ No products described or contained herein are intended for use in surgical implants, life-support systems, aerospace equipment, nuclear power control systems, vehicles, disaster/crime-prevention equipment and the like, the failure of which may directly or indirectly cause injury, death or property loss.

■ Anyone purchasing any products described or contained herein for an above-mentioned use shall:

- ① Accept full responsibility and indemnify and defend SANYO ELECTRIC CO., LTD., its affiliates, subsidiaries and distributors and all their officers and employees, jointly and severally, against any and all claims and litigation and all damages, cost and expenses associated with such use:
- ② Not impose any responsibility for any fault or negligence which may be cited in any such claim or litigation on SANYO ELECTRIC CO., LTD., its affiliates, subsidiaries and distributors or any of their officers and employees jointly or severally.

■ Information (including circuit diagrams and circuit parameters) herein is for example only; it is not guaranteed for volume production. SANYO believes information herein is accurate and reliable, but no guarantees are made or implied regarding its use or any infringements of intellectual property rights or other rights of third parties.