
Remote Control Receiver IC**PT2249A & PT2250A Series**

Description

The PT2249A / PT2250A Series are infra-red remote control receivers utilizing CMOS Technology. Remote Control System can be constructed together with the PT2248 remote control encoder. The PT2249A Series are packaged in 16 pins DIP (PT2249A version is also available in SOP package) and are capable of controlling 10 functions while the PT2250A Series are packaged in 24 pins DIP and are capable of controlling 18 functions. Several options, inverting/non-inverting IR signal input and/or dependent/independent cyclic (toggle) outputs, are provided to fit different application needs.

Features

- CMOS Technology
- Low Power Consumption
- Very High Noise Immunity
- Able to output parallel multiple keying signals sent from the transmitter (PT2249A is able to output up to 5 functions simultaneously while PT2250A is able to output up to 6 functions simultaneously)
- Outputs for single pulse, hold pulse and cyclic pulse are provided
- A single terminal type oscillator by means of RC is provided
- Code Detection Circuit prevents interference from various types of machines and apparatus
- Digital Filtering and Code Checking prevent interference from light sources such as PL Lamp without sacrificing the receiving sensitivity

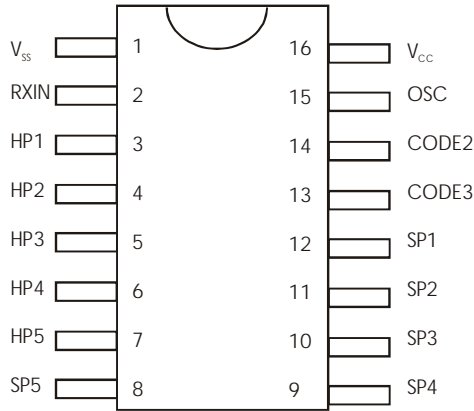
Applications

- Audio Equipment Remote Control
- Television (TV) Remote Control
- Video Cassette Recorder (VCR) Remote Control

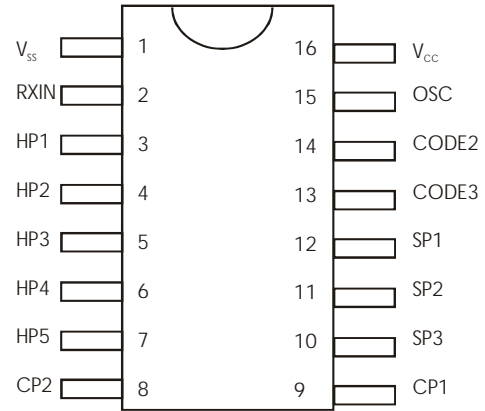
Remote Control Receiver IC

PT2249A & PT2250A Series

Pin Configurations

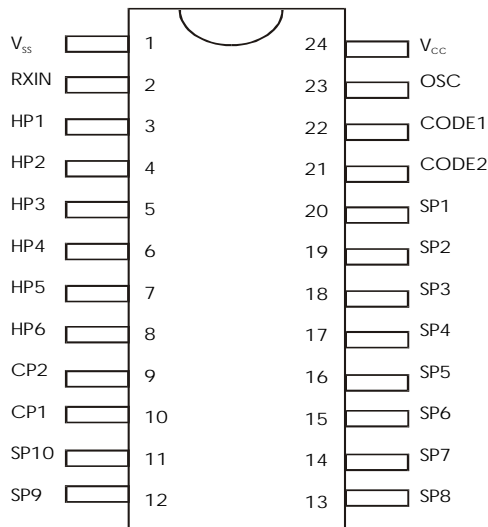


PT2249A (16 PDIP 300 mil)
 PT2249A-SN (16 SOP 150 mil)



(16 PDIP 300 mil)

PT2249AI / PT2249AIN
 PT2249AL / PT2249ALN
 PT2249AH / PT2249AHN



(24 PDIP 600 mil)

PT2250A /PT2250AN
 PT2250AL / PT2250ALN

A - Advanced Version
N - Inversed RXIN Input
I - Independent Cyclic (Toggle) Outputs
L - Advanced Dependent Cyclic (Toggle) Outputs
H - Output Format same as "L", except that when HP1 or HP2 is active, it will clear CP1.

Remote Control Receiver IC

PT2249A & PT2250A Series

Application Circuit

