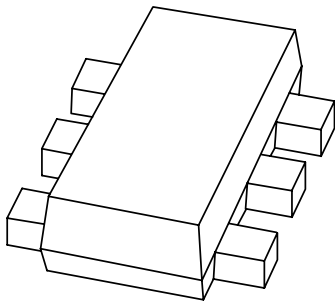


DATA SHEET



BC847BVN NPN/PNP general purpose transistor

Product specification
Supersedes data of 2001 Aug 30

2001 Nov 07

NPN/PNP general purpose transistor

BC847BVN

FEATURES

- 300 mW total power dissipation
- Very small 1.6 mm x 1.2 mm ultra thin package
- Excellent coplanarity due to straight leads
- Replaces two SC-75/SC-89 packaged transistors on same PCB area
- Reduced required PCB area
- Reduced pick and place costs.

APPLICATIONS

- General purpose switching and amplification
- Switch mode power supply complementary MOSFET driver
- Complementary driver for audio amplifiers.

DESCRIPTION

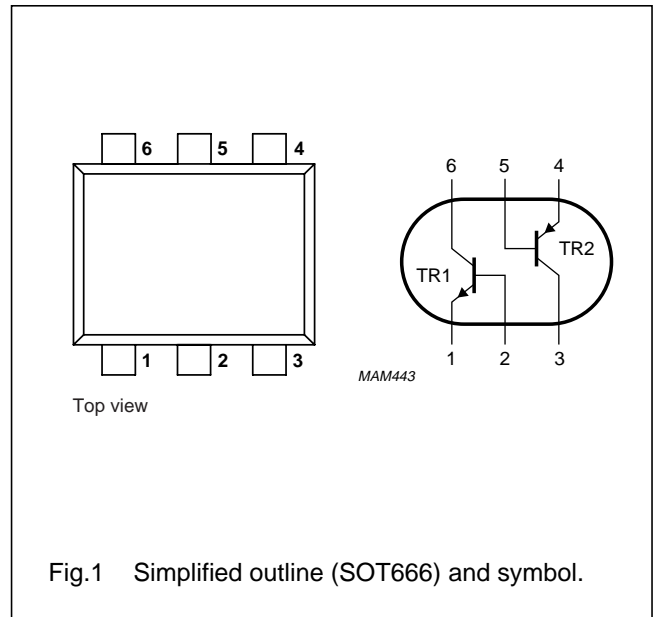
NPN/PNP transistor pair in a SOT666 plastic package.

MARKING

| TYPE NUMBER | MARKING CODE |
|-------------|--------------|
| BC847BVN | 13 |

PINNING

| PIN | DESCRIPTION |
|------|--------------------|
| 1, 4 | emitter TR1; TR2 |
| 2, 5 | base TR1; TR2 |
| 6, 3 | collector TR1; TR2 |



LIMITING VALUES

In accordance with the Absolute Maximum Rating System (IEC 60134).

| SYMBOL | PARAMETER | CONDITIONS | MIN. | MAX. | UNIT |
|--|-------------------------------|--|------|------|------------------|
| Per transistor; for the PNP transistor with negative polarity | | | | | |
| V_{CBO} | collector-base voltage | open emitter | – | 50 | V |
| V_{CEO} | collector-emitter voltage | open base | – | 45 | V |
| V_{EBO} | emitter-base voltage | open collector | – | 5 | V |
| I_C | collector current (DC) | | – | 100 | mA |
| I_{CM} | peak collector current | | – | 200 | mA |
| I_{BM} | peak base current | | – | 200 | mA |
| P_{tot} | total power dissipation | $T_{amb} \leq 25\text{ }^\circ\text{C}$; note 1 | – | 200 | mW |
| T_{stg} | storage temperature | | –65 | +150 | $^\circ\text{C}$ |
| T_j | junction temperature | | – | 150 | $^\circ\text{C}$ |
| T_{amb} | operating ambient temperature | | –65 | +150 | $^\circ\text{C}$ |
| Per device | | | | | |
| P_{tot} | total power dissipation | $T_{amb} \leq 25\text{ }^\circ\text{C}$; note 1 | – | 300 | mW |

Note

1. Transistor mounted on an FR4 printed-circuit board.

NPN/PNP general purpose transistor

BC847BVN

THERMAL CHARACTERISTICS

| SYMBOL | PARAMETER | CONDITIONS | VALUE | UNIT |
|---------------|---|---------------|-------|------|
| $R_{th\ j-a}$ | thermal resistance from junction to ambient | notes 1 and 2 | 416 | K/W |

Notes

1. Transistor mounted on an FR4 printed-circuit board.
2. The only recommended soldering is reflow soldering.

CHARACTERISTICS

$T_{amb} = 25\text{ °C}$ unless otherwise specified.

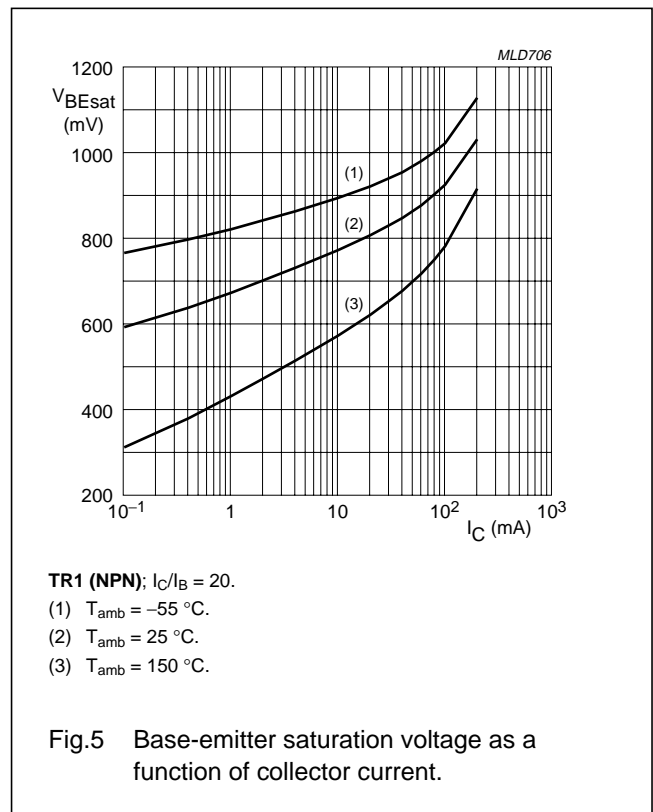
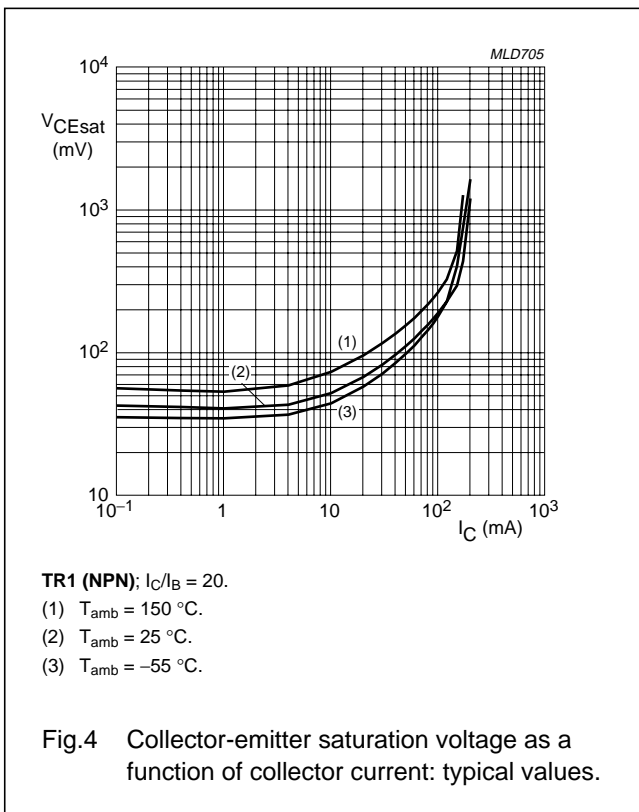
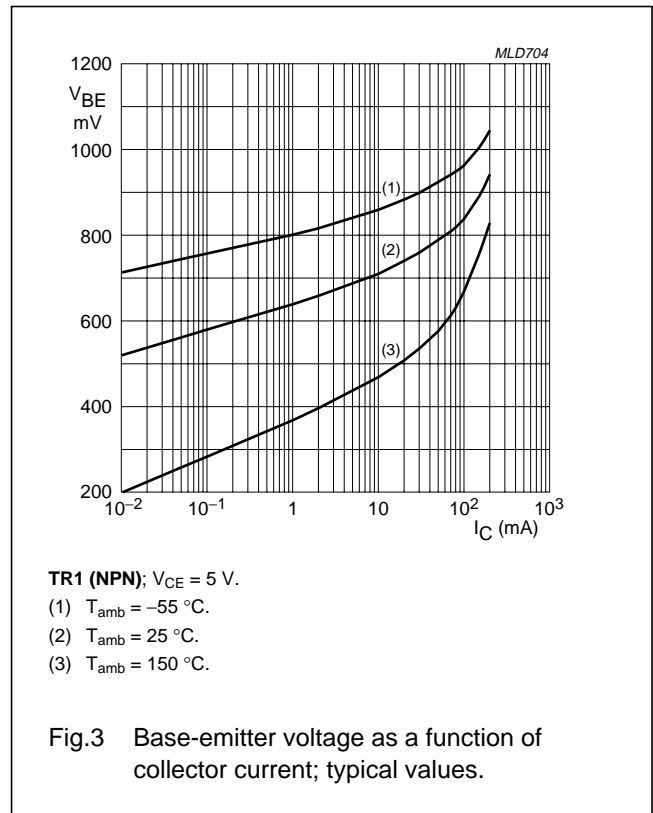
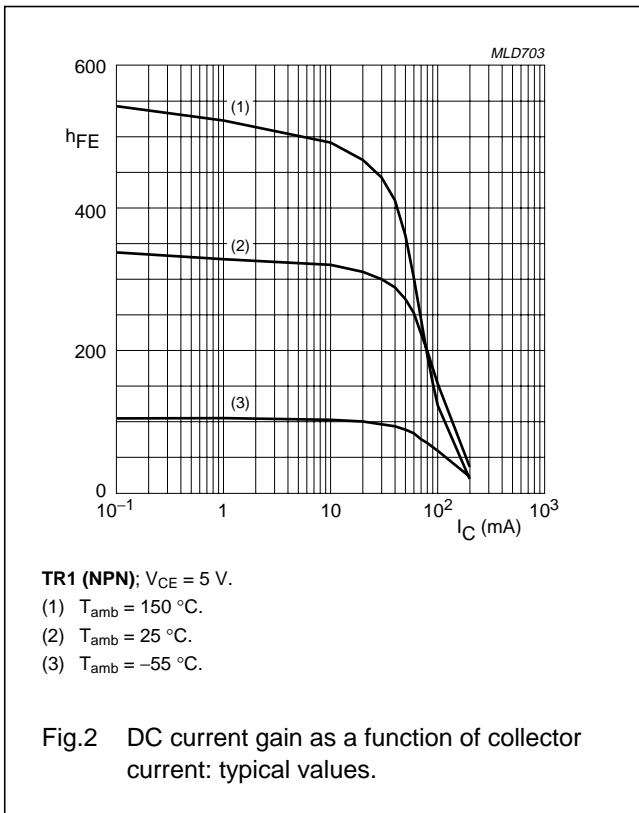
| SYMBOL | PARAMETER | CONDITIONS | MIN. | TYP. | MAX. | UNIT |
|--|--------------------------------------|---|------|------|------|---------------|
| Per transistor; for the PNP transistor with negative polarity | | | | | | |
| I_{CBO} | collector-base cut-off current | $V_{CB} = 30\text{ V}; I_E = 0$ | – | – | 15 | nA |
| | | $V_{CB} = 30\text{ V}; I_E = 0; T_j = 150\text{ °C}$ | – | – | 5 | μA |
| I_{EBO} | emitter-base cut-off current | $V_{EB} = 5\text{ V}; I_C = 0$ | – | – | 100 | nA |
| h_{FE} | DC current gain | $V_{CE} = 5\text{ V}; I_C = 2\text{ mA}$ | 200 | – | 450 | |
| V_{CEsat} | collector-emitter saturation voltage | $I_C = 10\text{ mA}; I_B = 0.5\text{ mA}$ | – | – | 100 | mV |
| | | $I_C = 100\text{ mA}; I_B = 5\text{ mA}; \text{note 1}$ | – | – | 300 | mV |
| V_{BEsat} | collector-emitter saturation voltage | $I_C = 10\text{ mA}; I_B = 0.5\text{ mA}$ | – | 755 | – | mV |
| f_T | transition frequency | $I_C = 10\text{ mA}; V_{CE} = 5\text{ V}; f = 100\text{ MHz}$ | 100 | – | – | MHz |
| NPN transistor | | | | | | |
| V_{BE} | base-emitter turn-on voltage | $V_{CE} = 5\text{ V}; I_C = 2\text{ mA}$ | 580 | 655 | 700 | mV |
| C_c | collector capacitance | $V_{CB} = 10\text{ V}; I_E = I_e = 0; f = 1\text{ MHz}$ | – | – | 1.5 | pF |
| C_e | emitter capacitance | $V_{EB} = 500\text{ mV}; I_C = I_c = 0; f = 1\text{ MHz}$ | – | 11 | – | pF |
| PNP transistor | | | | | | |
| V_{BE} | base-emitter turn-on voltage | $V_{CE} = -5\text{ V}; I_C = -2\text{ mA}$ | 600 | 655 | 750 | mV |
| C_c | collector capacitance | $V_{CB} = -10\text{ V}; I_C = I_c = 0; f = 1\text{ MHz}$ | – | – | 2.2 | pF |
| C_e | emitter capacitance | $V_{EB} = -500\text{ mV}; I_E = I_e = 0; f = 1\text{ MHz}$ | – | 10 | – | pF |

Note

1. Pulse test: $t_p \leq 300\text{ }\mu\text{s}$; $\delta \leq 0.02$.

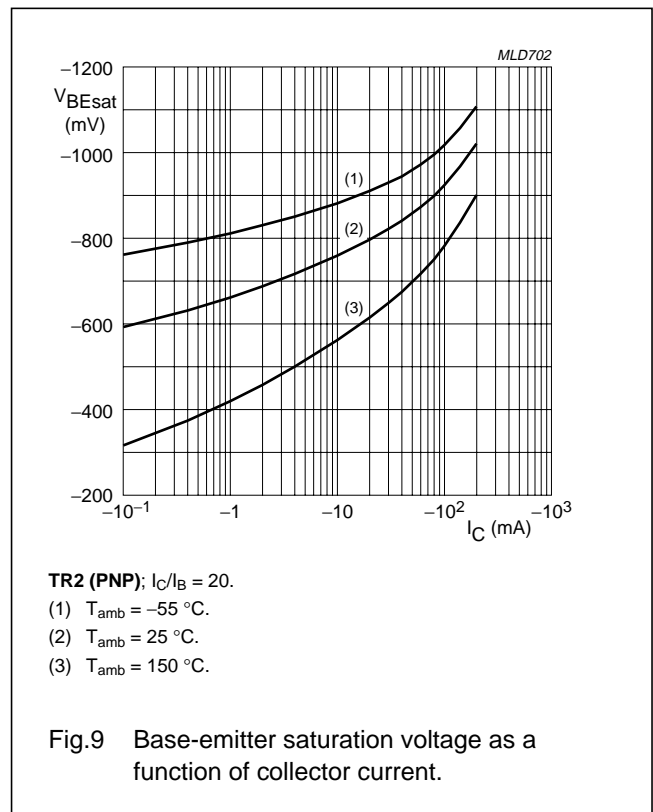
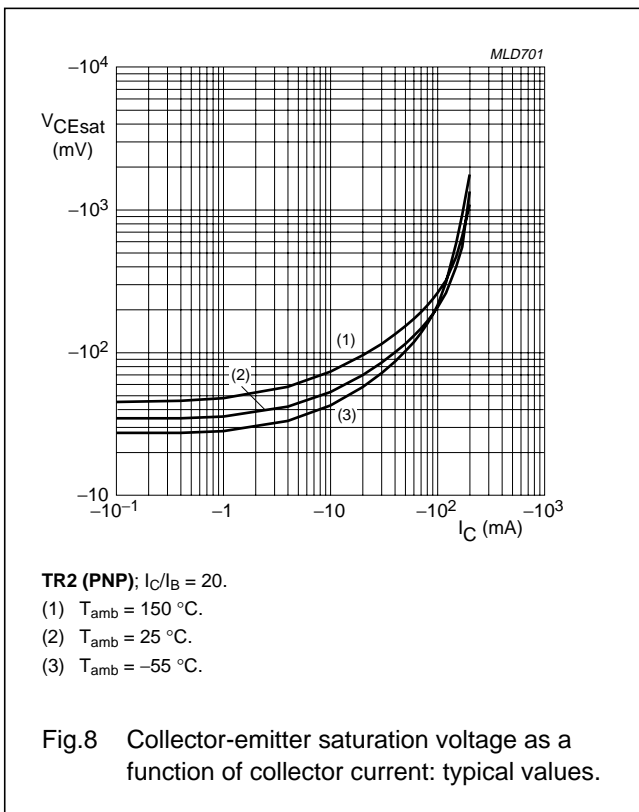
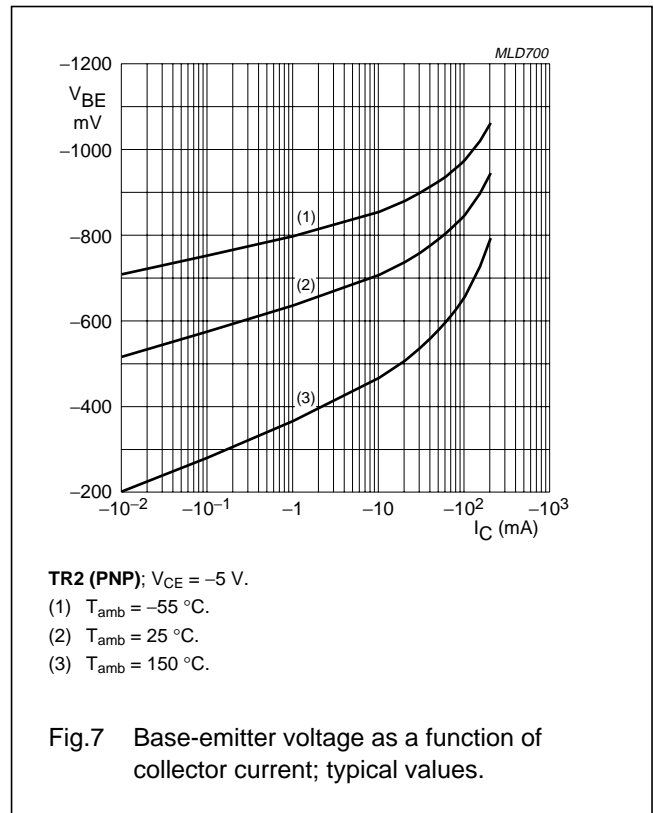
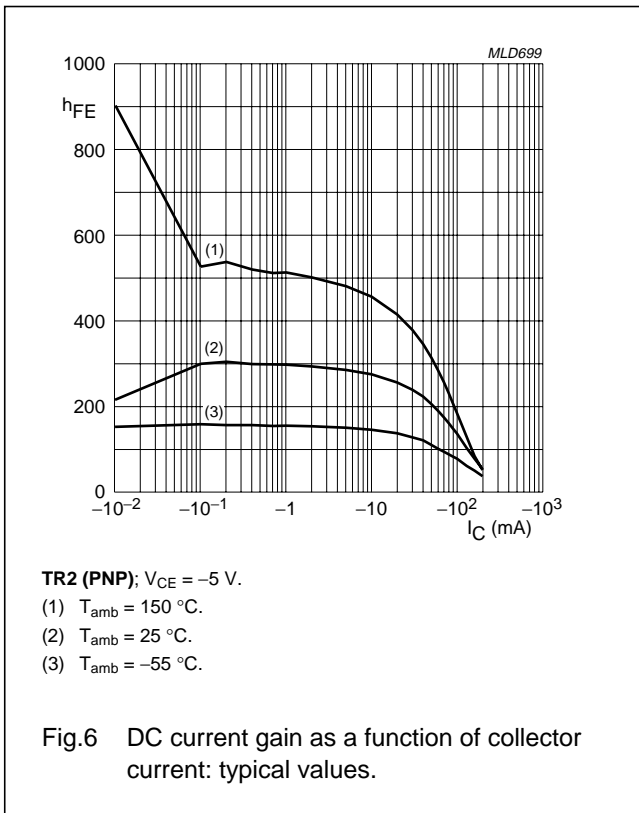
NPN/PNP general purpose transistor

BC847BVN



NPN/PNP general purpose transistor

BC847BVN



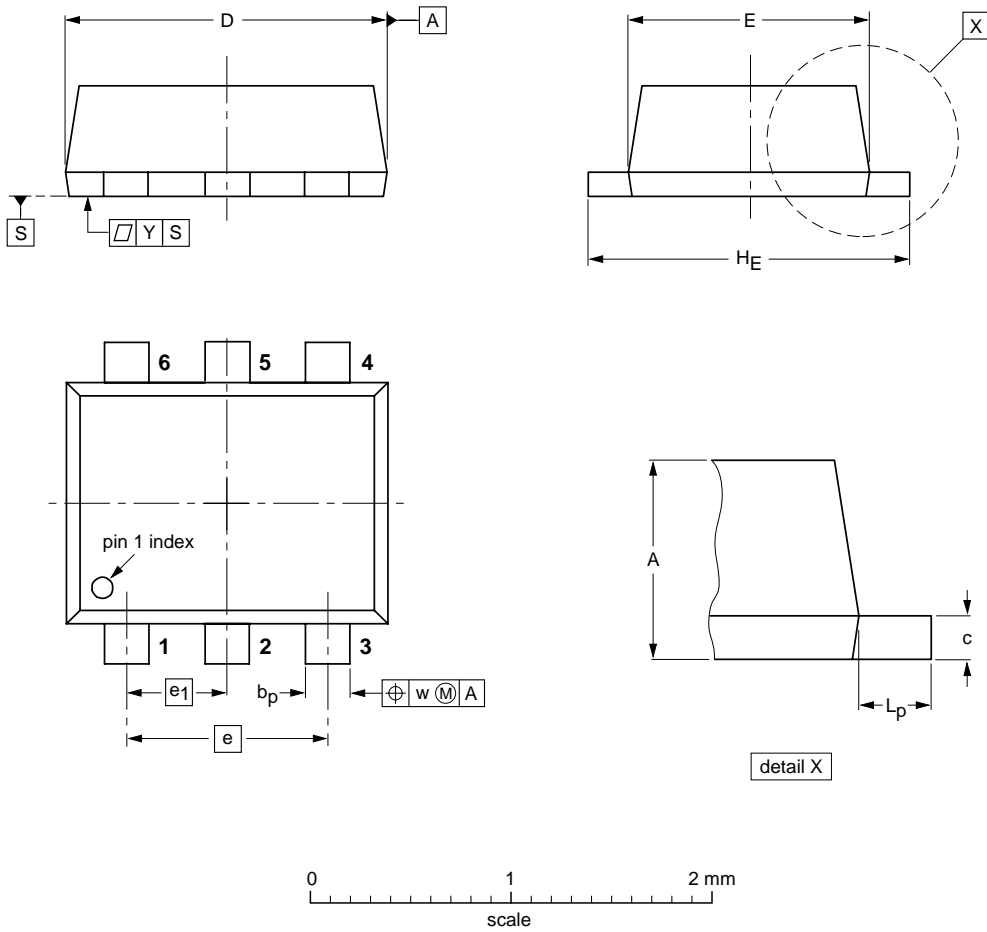
NPN/PNP general purpose transistor

BC847BVN

PACKAGE OUTLINE

Plastic surface mounted package; 6 leads

SOT666



DIMENSIONS (mm are the original dimensions)

| UNIT | A | b_p | c | D | E | e | e_1 | H_E | L_p | w | y |
|------|------------|--------------|--------------|------------|------------|-----|-------|------------|------------|-----|-----|
| mm | 0.6 0.5 | 0.27 0.17 | 0.18 0.08 | 1.7 1.5 | 1.3 1.1 | 1.0 | 0.5 | 1.7 1.5 | 0.3 0.1 | 0.1 | 0.1 |

| OUTLINE VERSION | REFERENCES | | | | EUROPEAN PROJECTION | ISSUE DATE |
|-----------------|------------|-------|------|--|---------------------|----------------------|
| | IEC | JEDEC | EIAJ | | | |
| SOT666 | | | | | | 01-01-04 01-08-27 |

NPN/PNP general purpose transistor

BC847BVN

DATA SHEET STATUS

| DATA SHEET STATUS ⁽¹⁾ | PRODUCT STATUS ⁽²⁾ | DEFINITIONS |
|----------------------------------|-------------------------------|--|
| Objective data | Development | This data sheet contains data from the objective specification for product development. Philips Semiconductors reserves the right to change the specification in any manner without notice. |
| Preliminary data | Qualification | This data sheet contains data from the preliminary specification. Supplementary data will be published at a later date. Philips Semiconductors reserves the right to change the specification without notice, in order to improve the design and supply the best possible product. |
| Product data | Production | This data sheet contains data from the product specification. Philips Semiconductors reserves the right to make changes at any time in order to improve the design, manufacturing and supply. Changes will be communicated according to the Customer Product/Process Change Notification (CPCN) procedure SNW-SQ-650A. |

Notes

1. Please consult the most recently issued data sheet before initiating or completing a design.
2. The product status of the device(s) described in this data sheet may have changed since this data sheet was published. The latest information is available on the Internet at URL <http://www.semiconductors.philips.com>.

DEFINITIONS

Short-form specification — The data in a short-form specification is extracted from a full data sheet with the same type number and title. For detailed information see the relevant data sheet or data handbook.

Limiting values definition — Limiting values given are in accordance with the Absolute Maximum Rating System (IEC 60134). Stress above one or more of the limiting values may cause permanent damage to the device. These are stress ratings only and operation of the device at these or at any other conditions above those given in the Characteristics sections of the specification is not implied. Exposure to limiting values for extended periods may affect device reliability.

Application information — Applications that are described herein for any of these products are for illustrative purposes only. Philips Semiconductors make no representation or warranty that such applications will be suitable for the specified use without further testing or modification.

DISCLAIMERS

Life support applications — These products are not designed for use in life support appliances, devices, or systems where malfunction of these products can reasonably be expected to result in personal injury. Philips Semiconductors customers using or selling these products for use in such applications do so at their own risk and agree to fully indemnify Philips Semiconductors for any damages resulting from such application.

Right to make changes — Philips Semiconductors reserves the right to make changes, without notice, in the products, including circuits, standard cells, and/or software, described or contained herein in order to improve design and/or performance. Philips Semiconductors assumes no responsibility or liability for the use of any of these products, conveys no licence or title under any patent, copyright, or mask work right to these products, and makes no representations or warranties that these products are free from patent, copyright, or mask work right infringement, unless otherwise specified.

Philips Semiconductors – a worldwide company

Contact information

For additional information please visit <http://www.semiconductors.philips.com>. Fax: +31 40 27 24825

For sales offices addresses send e-mail to: sales.addresses@www.semiconductors.philips.com.

© Koninklijke Philips Electronics N.V. 2001

SCA73

All rights are reserved. Reproduction in whole or in part is prohibited without the prior written consent of the copyright owner.

The information presented in this document does not form part of any quotation or contract, is believed to be accurate and reliable and may be changed without notice. No liability will be accepted by the publisher for any consequence of its use. Publication thereof does not convey nor imply any license under patent- or other industrial or intellectual property rights.

Printed in The Netherlands

613514/02/pp8

Date of release: 2001 Nov 07

Document order number: 9397 750 09039

Let's make things better.

**Philips
Semiconductors**



PHILIPS