

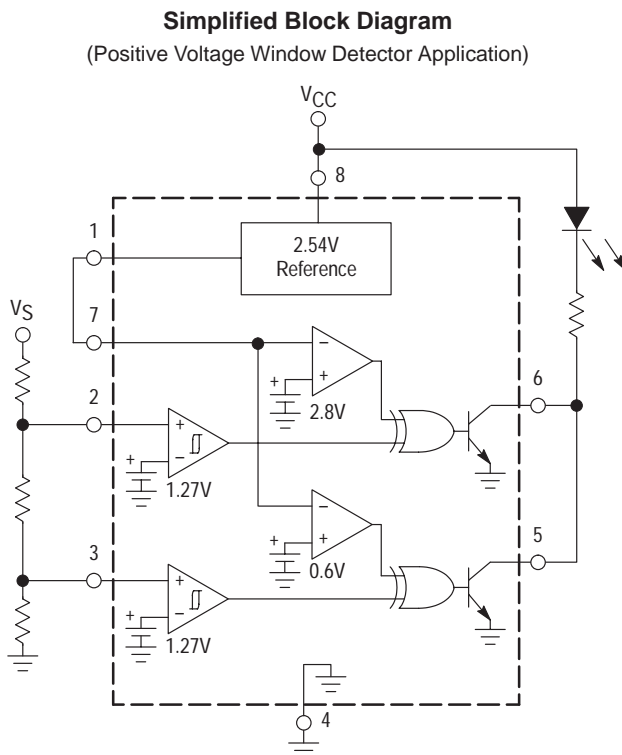
MC34161, MC33161

Universal Voltage Monitors

The MC34161/MC33161 are universal voltage monitors intended for use in a wide variety of voltage sensing applications. These devices offer the circuit designer an economical solution for positive and negative voltage detection. The circuit consists of two comparator channels each with hysteresis, a unique Mode Select Input for channel programming, a pinned out 2.54 V reference, and two open collector outputs capable of sinking in excess of 10 mA. Each comparator channel can be configured as either inverting or noninverting by the Mode Select Input. This allows over, under, and window detection of positive and negative voltages. The minimum supply voltage needed for these devices to be fully functional is 2.0 V for positive voltage sensing and 4.0 V for negative voltage sensing.

Applications include direct monitoring of positive and negative voltages used in appliance, automotive, consumer, and industrial equipment.

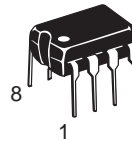
- Unique Mode Select Input Allows Channel Programming
- Over, Under, and Window Voltage Detection
- Positive and Negative Voltage Detection
- Fully Functional at 2.0 V for Positive Voltage Sensing and 4.0 V for Negative Voltage Sensing
- Pinned Out 2.54 V Reference with Current Limit Protection
- Low Standby Current
- Open Collector Outputs for Enhanced Device Flexibility



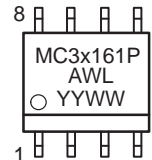
ON Semiconductor

<http://onsemi.com>

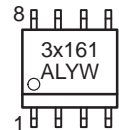
MARKING DIAGRAMS



PDIP-8
P SUFFIX
CASE 626

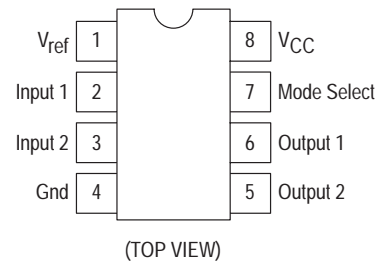


SO-8
D SUFFIX
CASE 751



x = 3 or 4
A = Assembly Location
WL, L = Wafer Lot
YY, Y = Year
WW, W = Work Week

PIN CONNECTIONS



ORDERING INFORMATION

Device	Package	Shipping
MC34161D	SO-8	98 Units/Rail
MC34161DR2	SO-8	2500 Tape & Reel
MC34161P	PDIP-8	50 Units/Rail
MC33161D	SO-8	98 Units/Rail
MC33161DR2	SO-8	2500 Tape & Reel
MC33161P	PDIP-8	50 Units/Rail

MC34161, MC33161

MAXIMUM RATINGS

Rating	Symbol	Value	Unit
Power Supply Input Voltage	V_{CC}	40	V
Comparator Input Voltage Range	V_{in}	- 1.0 to +40	V
Comparator Output Sink Current (Pins 5 and 6) (Note 1.)	I_{Sink}	20	mA
Comparator Output Voltage	V_{out}	40	V
Power Dissipation and Thermal Characteristics (Note 1.) P Suffix, Plastic Package, Case 626 Maximum Power Dissipation @ $T_A = 70^\circ\text{C}$ Thermal Resistance, Junction-to-Air	P_D $R_{\theta JA}$	800 100	mW $^\circ\text{C/W}$
D Suffix, Plastic Package, Case 751 Maximum Power Dissipation @ $T_A = 70^\circ\text{C}$ Thermal Resistance, Junction-to-Air	P_D $R_{\theta JA}$	450 178	mW $^\circ\text{C/W}$
Operating Junction Temperature	T_J	+150	$^\circ\text{C}$
Operating Ambient Temperature (Note 3.) MC34161 MC33161	T_A	0 to +70 - 40 to +85	$^\circ\text{C}$
Storage Temperature Range	T_{stg}	- 55 to +150	$^\circ\text{C}$

ELECTRICAL CHARACTERISTICS ($V_{CC} = 5.0\text{ V}$, for typical values $T_A = 25^\circ\text{C}$, for min/max values T_A is the operating ambient temperature range that applies [Notes 2. and 3.], unless otherwise noted.)

Characteristics	Symbol	Min	Typ	Max	Unit
-----------------	--------	-----	-----	-----	------

COMPARATOR INPUTS

Threshold Voltage, V_{in} Increasing ($T_A = 25^\circ\text{C}$) ($T_A = T_{min}$ to T_{max})	V_{th}	1.245 1.235	1.27 -	1.295 1.295	V
Threshold Voltage Variation ($V_{CC} = 2.0\text{ V}$ to 40 V)	ΔV_{th}	-	7.0	15	mV
Threshold Hysteresis, V_{in} Decreasing	V_H	15	25	35	mV
Threshold Difference $ V_{th1} - V_{th2} $	V_D	-	1.0	15	mV
Reference to Threshold Difference ($V_{ref} - V_{in1}$), ($V_{ref} - V_{in2}$)	V_{RTD}	1.20	1.27	1.32	V
Input Bias Current ($V_{in} = 1.0\text{ V}$) ($V_{in} = 1.5\text{ V}$)	I_{IB}	- -	40 85	200 400	nA

MODE SELECT INPUT

Mode Select Threshold Voltage (Figure 5) Channel 1 Channel 2	$V_{th(CH\ 1)}$ $V_{th(CH\ 2)}$	$V_{ref}+0.15$ 0.3	$V_{ref}+0.23$ 0.63	$V_{ref}+0.30$ 0.9	V
---	------------------------------------	-----------------------	------------------------	-----------------------	---

COMPARATOR OUTPUTS

Output Sink Saturation Voltage ($I_{Sink} = 2.0\text{ mA}$) ($I_{Sink} = 10\text{ mA}$) ($I_{Sink} = 0.25\text{ mA}$, $V_{CC} = 1.0\text{ V}$)	V_{OL}	- - -	0.05 0.22 0.02	0.3 0.6 0.2	V
Off-State Leakage Current ($V_{OH} = 40\text{ V}$)	I_{OH}	-	0	1.0	μA

REFERENCE OUTPUT

Output Voltage ($I_O = 0\text{ mA}$, $T_A = 25^\circ\text{C}$)	V_{ref}	2.48	2.54	2.60	V
Load Regulation ($I_O = 0\text{ mA}$ to 2.0 mA)	Reg_{load}	-	0.6	15	mV
Line Regulation ($V_{CC} = 4.0\text{ V}$ to 40 V)	Reg_{line}	-	5.0	15	mV
Total Output Variation over Line, Load, and Temperature	ΔV_{ref}	2.45	-	2.60	V
Short Circuit Current	I_{SC}	-	8.5	30	mA

TOTAL DEVICE

Power Supply Current (V_{Mode} , V_{in1} , $V_{in2} = \text{Gnd}$) ($V_{CC} = 5.0\text{ V}$) ($V_{CC} = 40\text{ V}$)	I_{CC}	- -	450 560	700 900	μA
Operating Voltage Range (Positive Sensing) (Negative Sensing)	V_{CC}	2.0 4.0	- -	40 40	V

- Maximum package power dissipation must be observed.
- Low duty cycle pulse techniques are used during test to maintain junction temperature as close to ambient as possible.
- $T_{low} = 0^\circ\text{C}$ for MC34161
-40 $^\circ\text{C}$ for MC33161
 $T_{high} = +70^\circ\text{C}$ for MC34161
+85 $^\circ\text{C}$ for MC33161

MC34161, MC33161

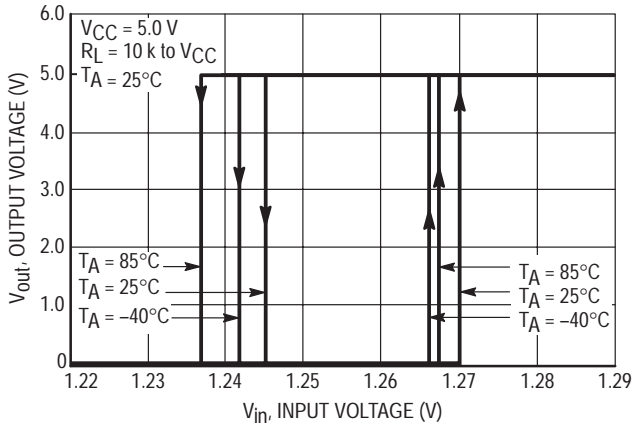


Figure 1. Comparator Input Threshold Voltage

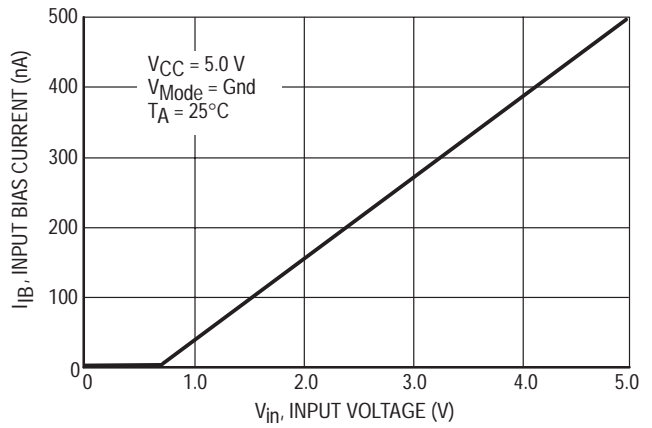


Figure 2. Comparator Input Bias Current versus Input Voltage

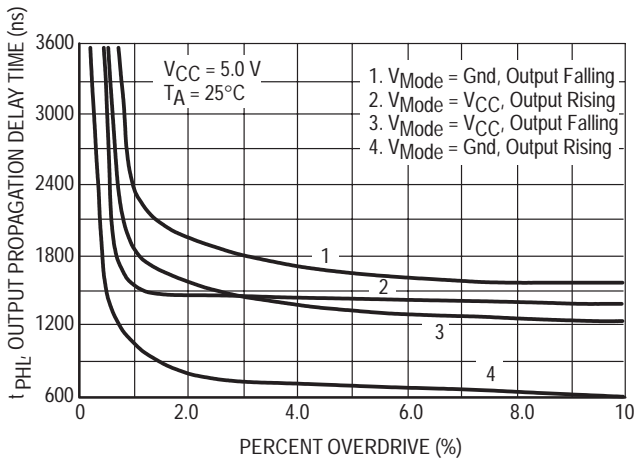


Figure 3. Output Propagation Delay Time versus Percent Overdrive

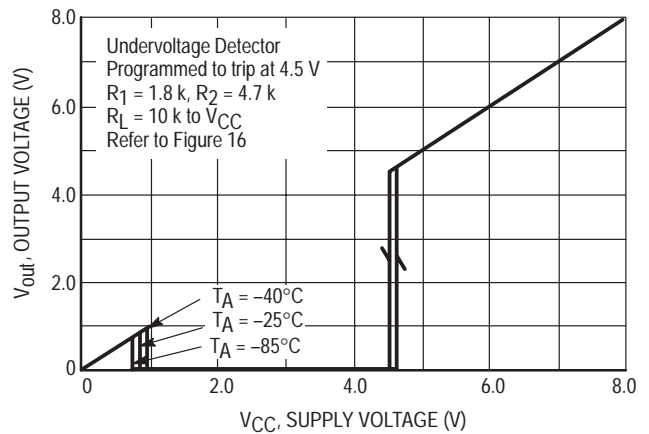


Figure 4. Output Voltage versus Supply Voltage

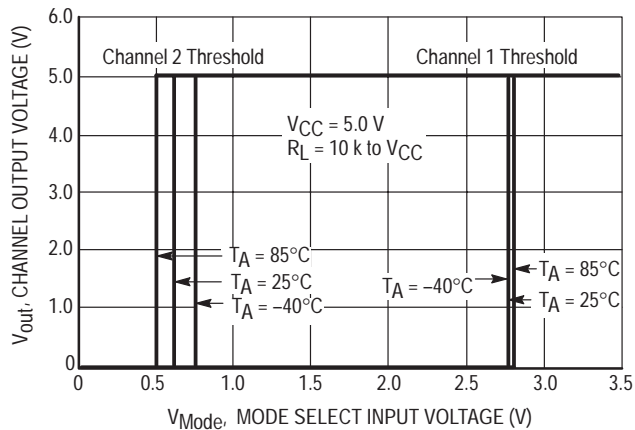


Figure 5. Mode Select Thresholds

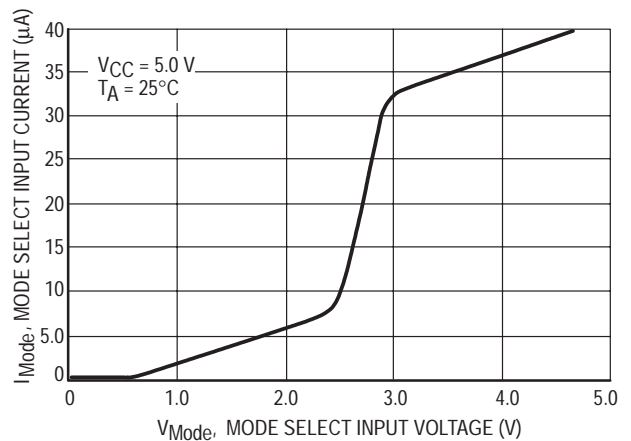


Figure 6. Mode Select Input Current versus Input Voltage

MC34161, MC33161

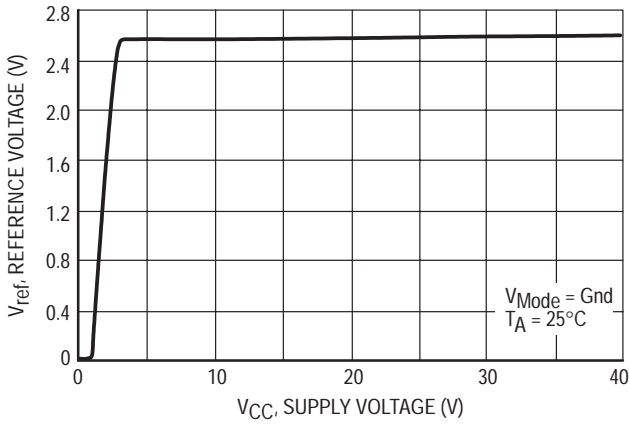


Figure 7. Reference Voltage versus Supply Voltage

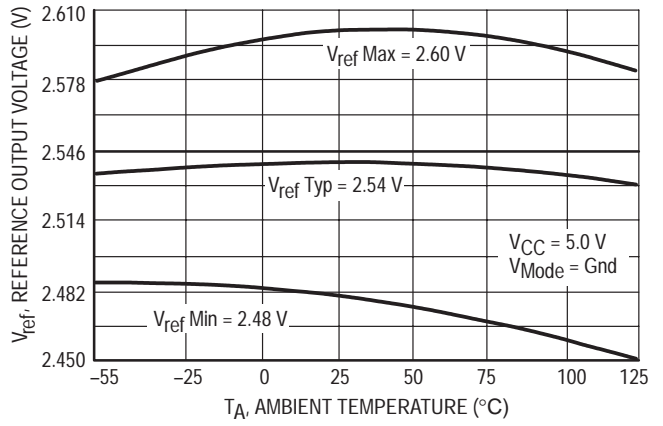


Figure 8. Reference Voltage versus Ambient Temperature

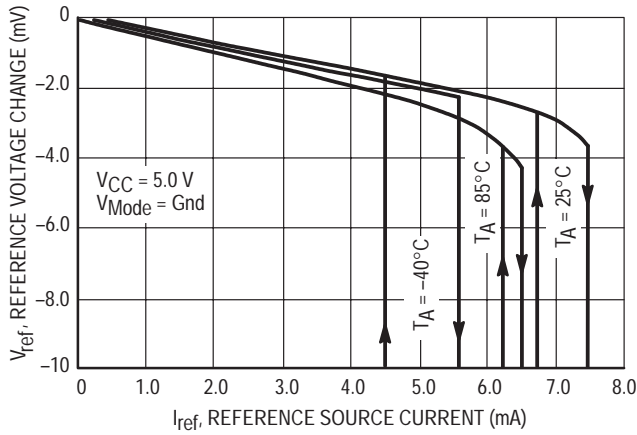


Figure 9. Reference Voltage Change versus Source Current

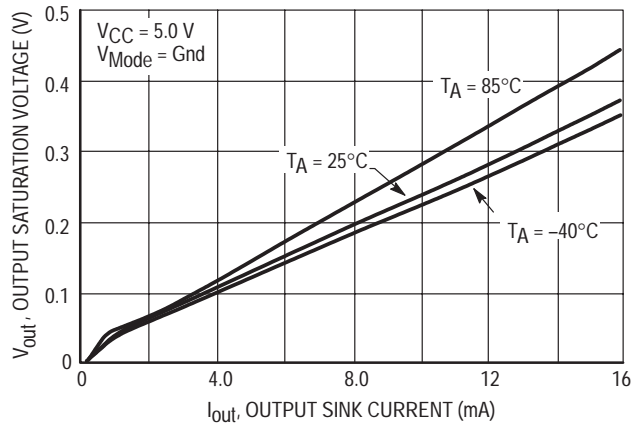


Figure 10. Output Saturation Voltage versus Output Sink Current

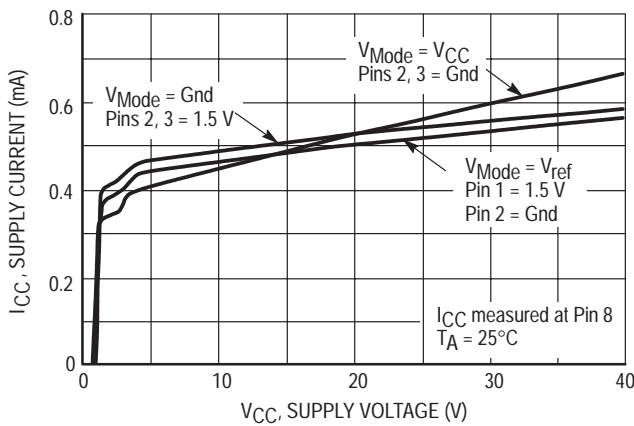


Figure 11. Supply Current versus Supply Voltage

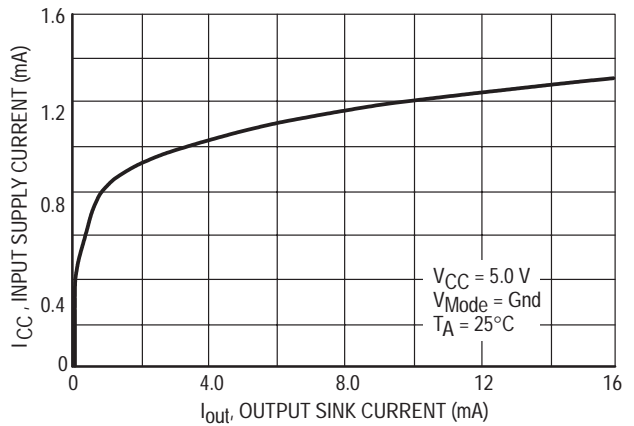


Figure 12. Supply Current versus Output Sink Current

MC34161, MC33161

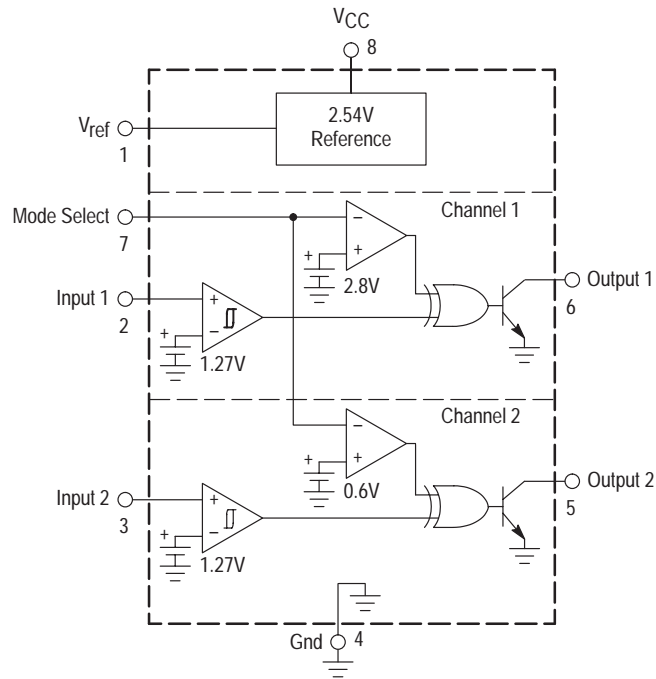


Figure 13. MC34161 Representative Block Diagram

Mode Select Pin 7	Input 1 Pin 2	Output 1 Pin 6	Input 2 Pin 3	Output 2 Pin 5	Comments
GND	0 1	0 1	0 1	0 1	Channels 1 & 2: Noninverting
V _{ref}	0 1	0 1	0 1	1 0	Channel 1: Noninverting Channel 2: Inverting
V _{CC} (>2.0 V)	0 1	1 0	0 1	1 0	Channels 1 & 2: Inverting

Figure 14. Truth Table

FUNCTIONAL DESCRIPTION

Introduction

To be competitive in today's electronic equipment market, new circuits must be designed to increase system reliability with minimal incremental cost. The circuit designer can take a significant step toward attaining these goals by implementing economical circuitry that continuously monitors critical circuit voltages and provides a fault signal in the event of an out-of-tolerance condition. The MC34161, MC33161 series are universal voltage monitors intended for use in a wide variety of voltage sensing applications. The main objectives of this series was to configure a device that can be used in as many voltage sensing applications as possible while minimizing cost. The flexibility objective is achieved by the utilization of a unique Mode Select input that is used in conjunction with traditional circuit building blocks. The cost objective is achieved by processing the device on a standard Bipolar Analog flow, and by limiting the package to eight pins. The device consists of two comparator channels each with hysteresis, a mode select input for channel programming, a pinned out reference, and two open collector outputs. Each comparator channel can be configured as either inverting or noninverting by the Mode Select input. This allows a single device to perform over, under, and window detection of positive and negative voltages. A detailed description of each section of the device is given below with the representative block diagram shown in Figure 13.

Input Comparators

The input comparators of each channel are identical, each having an upper threshold voltage of $1.27\text{ V} \pm 2.0\%$ with 25 mV of hysteresis. The hysteresis is provided to enhance output switching by preventing oscillations as the comparator thresholds are crossed. The comparators have an input bias current of 60 nA at their threshold which approximates a $21.2\text{ M}\Omega$ resistor to ground. This high impedance minimizes loading of the external voltage divider for well defined trip points. For all positive voltage sensing applications, both comparator channels are fully functional at a V_{CC} of 2.0 V . In order to provide enhanced device ruggedness for hostile industrial environments, additional circuitry was designed into the inputs to prevent device latch-up as well as to suppress electrostatic discharges (ESD).

Reference

The 2.54 V reference is pinned out to provide a means for the input comparators to sense negative voltages, as well as a means to program the Mode Select input for window detection applications. The reference is capable of sourcing in excess of 2.0 mA output current and has built-in short circuit protection. The output voltage has a guaranteed tolerance of $\pm 2.4\%$ at room temperature.

The 2.54 V reference is derived by gaining up the internal 1.27 V reference by a factor of two. With a power supply voltage of 4.0 V , the 2.54 V reference is in full regulation, allowing the device to accurately sense negative voltages.

Mode Select Circuit

The key feature that allows this device to be flexible is the Mode Select input. This input allows the user to program each of the channels for various types of voltage sensing applications. Figure 14 shows that the Mode Select input has three defined states. These states determine whether Channel 1 and/or Channel 2 operate in the inverting or noninverting mode. The Mode Select thresholds are shown in Figure 5. The input circuitry forms a tristate switch with thresholds at 0.63 V and $V_{ref} + 0.23\text{ V}$. The mode select input current is $10\text{ }\mu\text{A}$ when connected to the reference output, and $42\text{ }\mu\text{A}$ when connected to a V_{CC} of 5.0 V , refer to Figure 6.

Output Stage

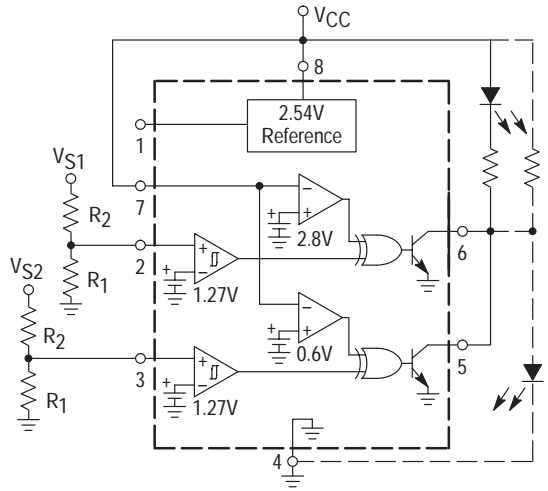
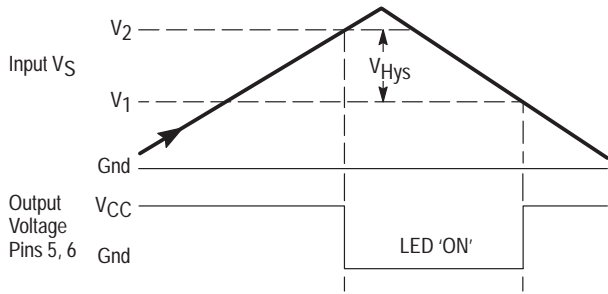
The output stage uses a positive feedback base boost circuit for enhanced sink saturation, while maintaining a relatively low device standby current. Figure 10 shows that the sink saturation voltage is about 0.2 V at 8.0 mA over temperature. By combining the low output saturation characteristics with low voltage comparator operation, this device is capable of sensing positive voltages at a V_{CC} of 1.0 V . These characteristics are important in undervoltage sensing applications where the output must stay in a low state as V_{CC} approaches ground. Figure 4 shows the Output Voltage versus Supply Voltage in an undervoltage sensing application. Note that as V_{CC} drops below the programmed 4.5 V trip point, the output stays in a well defined active low state until V_{CC} drops below 1.0 V .

APPLICATIONS

The following circuit figures illustrate the flexibility of this device. Included are voltage sensing applications for over, under, and window detectors, as well as three unique configurations. Many of the voltage detection circuits are shown with the open collector outputs of each channel connected together driving a light emitting diode (LED). This 'ORed' connection is shown for ease of explanation and it is only required for window detection applications.

Note that many of the voltage detection circuits are shown with a dashed line output connection. This connection gives the inverse function of the solid line connection. For example, the solid line output connection of Figure 15 has the LED 'ON' when input voltage V_S is above trip voltage V_2 , for overvoltage detection. The dashed line output connection has the LED 'ON' when V_S is below trip voltage V_2 , for undervoltage detection.

MC34161, MC33161



The above figure shows the MC34161 configured as a dual positive overvoltage detector. As the input voltage increases from ground, the LED will turn 'ON' when V_{S1} or V_{S2} exceeds V_2 . With the dashed line output connection, the circuit becomes a dual positive undervoltage detector. As the input voltage decreases from the peak towards ground, the LED will turn 'ON' when V_{S1} or V_{S2} falls below V_1 .

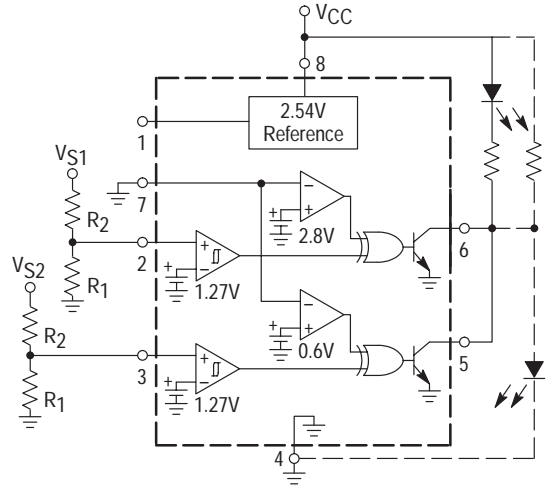
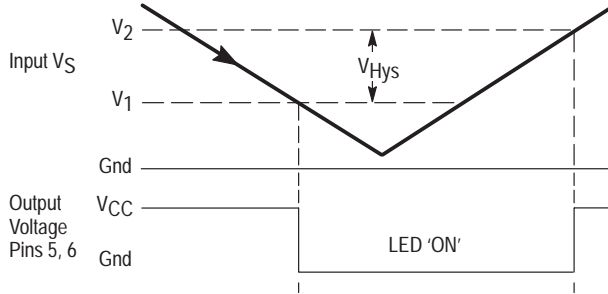
For known resistor values, the voltage trip points are:

$$V_1 = (V_{th} - V_H) \left(\frac{R_2}{R_1} + 1 \right) \quad V_2 = V_{th} \left(\frac{R_2}{R_1} + 1 \right)$$

For a specific trip voltage, the required resistor ratio is:

$$\frac{R_2}{R_1} = \frac{V_1}{V_{th} - V_H} - 1 \quad \frac{R_2}{R_1} = \frac{V_2}{V_{th}} - 1$$

Figure 15. Dual Positive Overvoltage Detector



The above figure shows the MC34161 configured as a dual positive undervoltage detector. As the input voltage decreases towards ground, the LED will turn 'ON' when V_{S1} or V_{S2} falls below V_1 . With the dashed line output connection, the circuit becomes a dual positive overvoltage detector. As the input voltage increases from ground, the LED will turn 'ON' when V_{S1} or V_{S2} exceeds V_2 .

For known resistor values, the voltage trip points are:

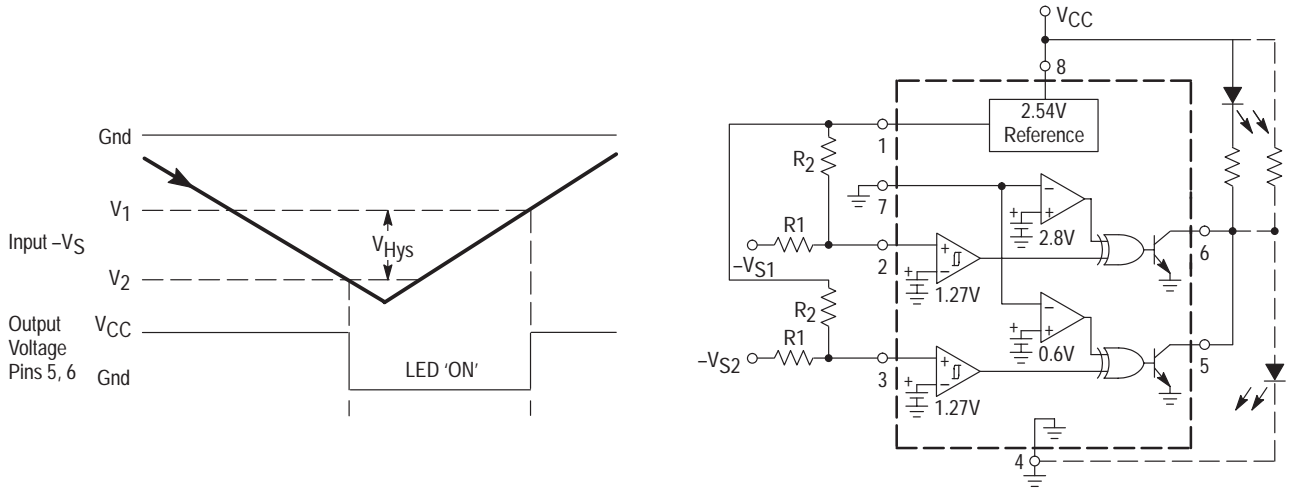
$$V_1 = (V_{th} - V_H) \left(\frac{R_2}{R_1} + 1 \right) \quad V_2 = V_{th} \left(\frac{R_2}{R_1} + 1 \right)$$

For a specific trip voltage, the required resistor ratio is:

$$\frac{R_2}{R_1} = \frac{V_1}{V_{th} - V_H} - 1 \quad \frac{R_2}{R_1} = \frac{V_2}{V_{th}} - 1$$

Figure 16. Dual Positive Undervoltage Detector

MC34161, MC33161



The above figure shows the MC34161 configured as a dual negative overvoltage detector. As the input voltage increases from ground, the LED will turn 'ON' when $-V_{S1}$ or $-V_{S2}$ exceeds V_2 . With the dashed line output connection, the circuit becomes a dual negative undervoltage detector. As the input voltage decreases from the peak towards ground, the LED will turn 'ON' when $-V_{S1}$ or $-V_{S2}$ falls below V_1 .

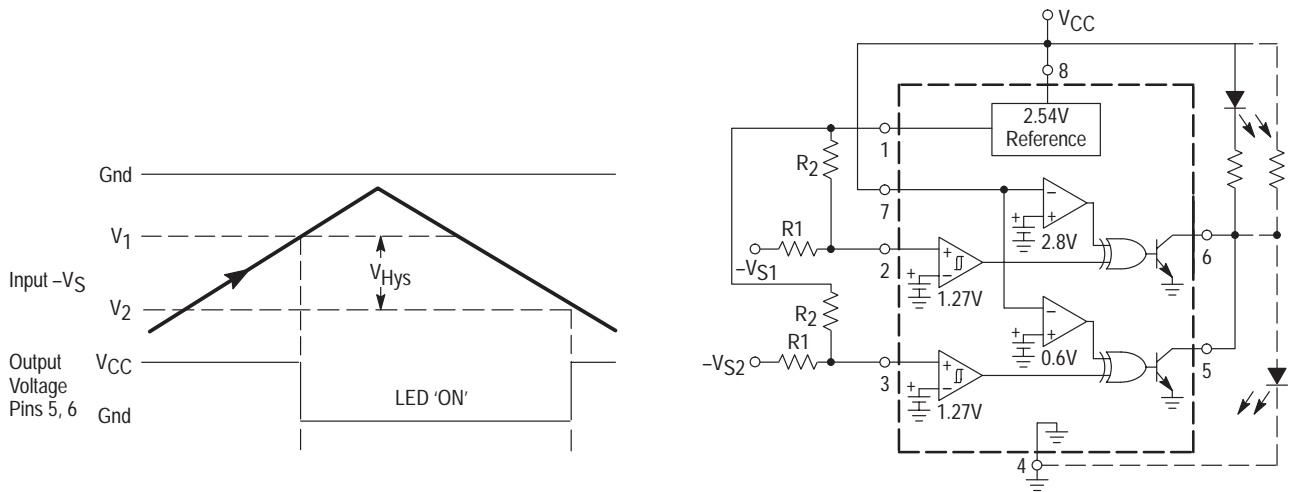
For known resistor values, the voltage trip points are:

$$V_1 = \frac{R_1}{R_2}(V_{th} - V_{ref}) + V_{th} \quad V_2 = \frac{R_1}{R_2}(V_{th} - V_H - V_{ref}) + V_{th} - V_H$$

For a specific trip voltage, the required resistor ratio is:

$$\frac{R_1}{R_2} = \frac{V_1 - V_{th}}{V_{th} - V_{ref}} \quad \frac{R_1}{R_2} = \frac{V_2 - V_{th} + V_H}{V_{th} - V_H - V_{ref}}$$

Figure 17. Dual Negative Overvoltage Detector



The above figure shows the MC34161 configured as a dual negative undervoltage detector. As the input voltage decreases towards ground, the LED will turn 'ON' when $-V_{S1}$ or $-V_{S2}$ falls below V_1 . With the dashed line output connection, the circuit becomes a dual negative overvoltage detector. As the input voltage increases from ground, the LED will turn 'ON' when $-V_{S1}$ or $-V_{S2}$ exceeds V_2 .

For known resistor values, the voltage trip points are:

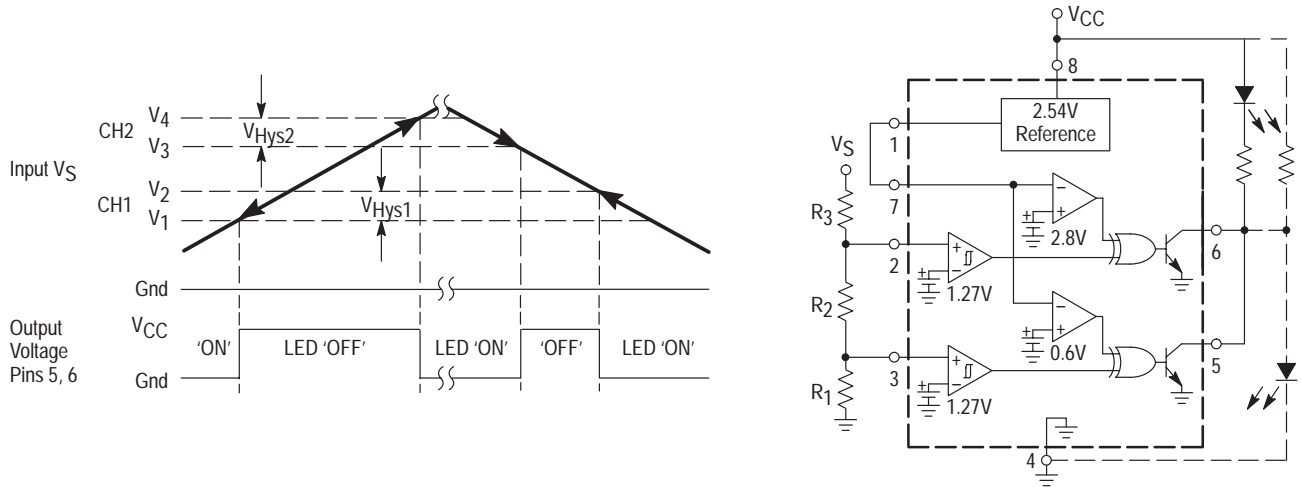
$$V_1 = \frac{R_1}{R_2}(V_{th} - V_{ref}) + V_{th} \quad V_2 = \frac{R_1}{R_2}(V_{th} - V_H - V_{ref}) + V_{th} - V_H$$

For a specific trip voltage, the required resistor ratio is:

$$\frac{R_1}{R_2} = \frac{V_1 - V_{th}}{V_{th} - V_{ref}} \quad \frac{R_1}{R_2} = \frac{V_2 - V_{th} + V_H}{V_{th} - V_H - V_{ref}}$$

Figure 18. Dual Negative Undervoltage Detector

MC34161, MC33161



The above figure shows the MC34161 configured as a positive voltage window detector. This is accomplished by connecting channel 1 as an undervoltage detector, and channel 2 as an overvoltage detector. When the input voltage V_S falls out of the window established by V_1 and V_4 , the LED will turn 'ON'. As the input voltage falls within the window, V_S increasing from ground and exceeding V_2 , or V_S decreasing from the peak towards ground and falling below V_3 , the LED will turn 'OFF'. With the dashed line output connection, the LED will turn 'ON' when the input voltage V_S is within the window.

For known resistor values, the voltage trip points are:

$$V_1 = (V_{th1} - V_{H1}) \left(\frac{R_3}{R_1 + R_2} + 1 \right) \quad V_3 = (V_{th2} - V_{H2}) \left(\frac{R_2 + R_3}{R_1} + 1 \right)$$

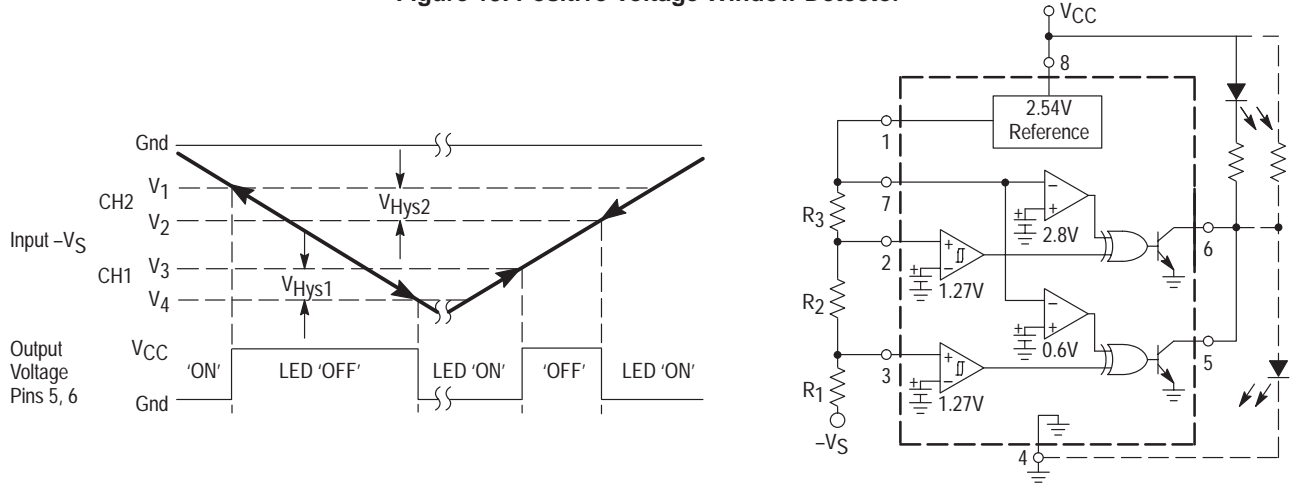
$$V_2 = V_{th1} \left(\frac{R_3}{R_1 + R_2} + 1 \right) \quad V_4 = V_{th2} \left(\frac{R_2 + R_3}{R_1} + 1 \right)$$

For a specific trip voltage, the required resistor ratio is:

$$\frac{R_2}{R_1} = \frac{V_3(V_{th2} - V_{H2})}{V_1(V_{th1} - V_{H1})} - 1 \quad \frac{R_3}{R_1} = \frac{V_3(V_1 - V_{th1} + V_{H1})}{V_1(V_{th2} - V_{H2})}$$

$$\frac{R_2}{R_1} = \frac{V_4 \times V_{th2}}{V_2 \times V_{th1}} - 1 \quad \frac{R_3}{R_1} = \frac{V_4(V_2 - V_{th1})}{V_2 \times V_{th2}}$$

Figure 19. Positive Voltage Window Detector



The above figure shows the MC34161 configured as a negative voltage window detector. When the input voltage $-V_S$ falls out of the window established by V_1 and V_4 , the LED will turn 'ON'. As the input voltage falls within the window, $-V_S$ increasing from ground and exceeding V_2 , or $-V_S$ decreasing from the peak towards ground and falling below V_3 , the LED will turn 'OFF'. With the dashed line output connection, the LED will turn 'ON' when the input voltage $-V_S$ is within the window.

For known resistor values, the voltage trip points are:

$$V_1 = \frac{R_1(V_{th2} - V_{ref})}{R_2 + R_3} + V_{th2}$$

$$V_2 = \frac{R_1(V_{th2} - V_{H2} - V_{ref})}{R_2 + R_3} + V_{th2} - V_{H2}$$

$$V_3 = \frac{(R_1 + R_2)(V_{th1} - V_{ref})}{R_3} + V_{th1}$$

$$V_4 = \frac{(R_1 + R_2)(V_{th1} - V_{H1} - V_{ref})}{R_3} + V_{th1} - V_{H1}$$

For a specific trip voltage, the required resistor ratio is:

$$\frac{R_1}{R_2 + R_3} = \frac{V_1 - V_{th2}}{V_{th2} - V_{ref}}$$

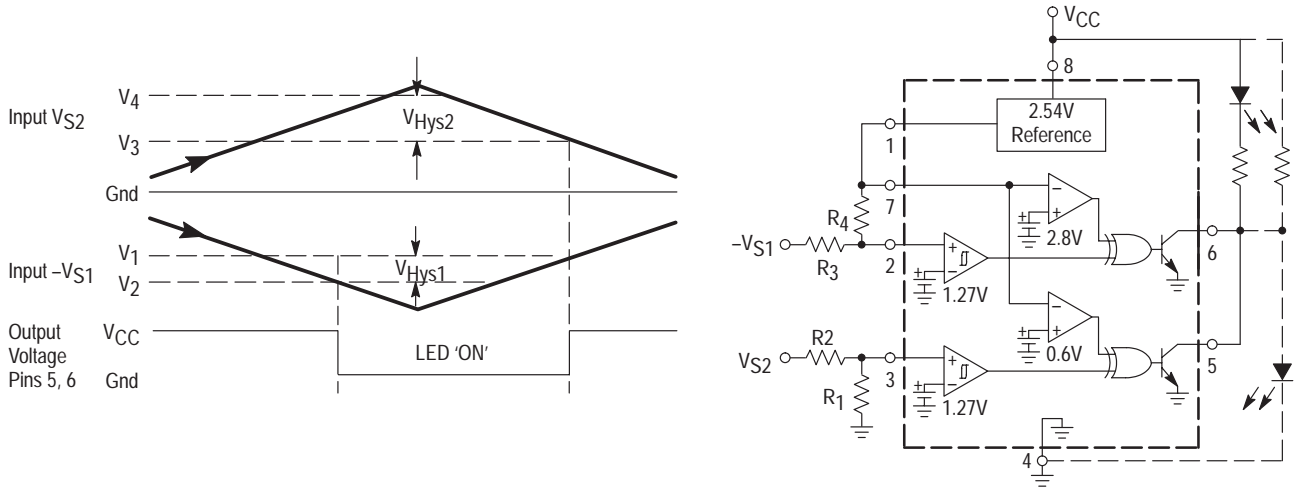
$$\frac{R_1}{R_2 + R_3} = \frac{V_2 - V_{th2} + V_{H2}}{V_{th2} - V_{H2} - V_{ref}}$$

$$\frac{R_3}{R_1 + R_2} = \frac{V_{th1} - V_{ref}}{V_3 - V_{th1}}$$

$$\frac{R_3}{R_1 + R_2} = \frac{V_{th1} - V_{H1} - V_{ref}}{V_4 + V_{H1} - V_{th1}}$$

Figure 20. Negative Voltage Window Detector

MC34161, MC33161



The above figure shows the MC34161 configured as a positive and negative overvoltage detector. As the input voltage increases from ground, the LED will turn 'ON' when either $-VS_1$ exceeds V_2 , or VS_2 exceeds V_4 . With the dashed line output connection, the circuit becomes a positive and negative undervoltage detector. As the input voltage decreases from the peak towards ground, the LED will turn 'ON' when either VS_2 falls below V_3 , or $-VS_1$ falls below V_1 .

For known resistor values, the voltage trip points are:

$$V_1 = \frac{R_3}{R_4}(V_{th1} - V_{ref}) + V_{th1} \quad V_3 = (V_{th2} - V_{H2})\left(\frac{R_2}{R_1} + 1\right)$$

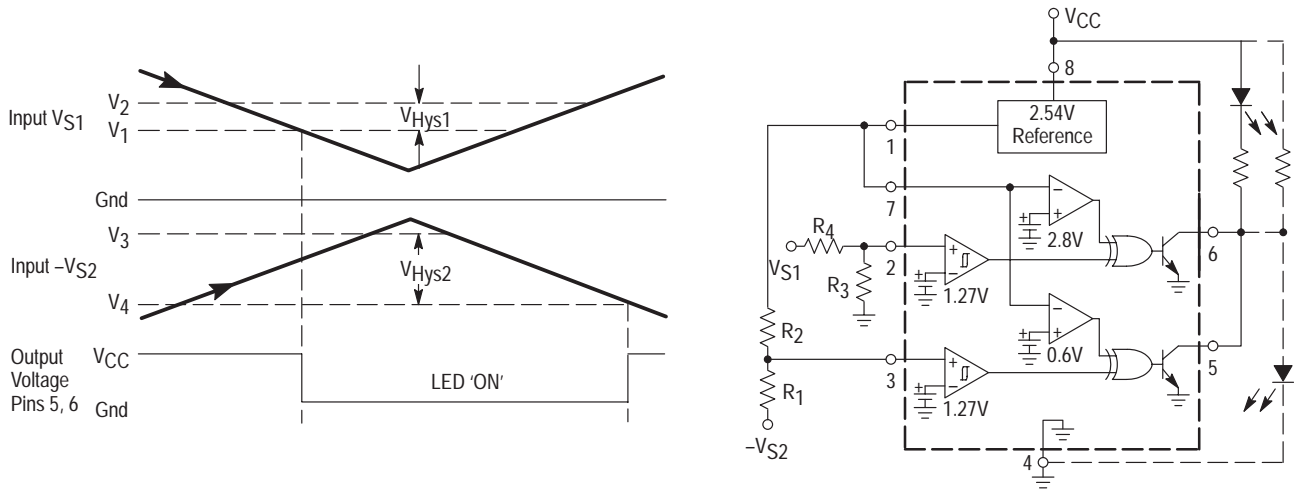
$$V_2 = \frac{R_3}{R_4}(V_{th1} - V_{H1} - V_{ref}) + V_{th1} - V_{H1} \quad V_4 = V_{th2}\left(\frac{R_2}{R_1} + 1\right)$$

For a specific trip voltage, the required resistor ratio is:

$$\frac{R_3}{R_4} = \frac{(V_1 - V_{th1})}{(V_{th1} - V_{ref})} \quad \frac{R_2}{R_1} = \frac{V_4}{V_{th2}} - 1$$

$$\frac{R_3}{R_4} = \frac{(V_2 - V_{th1} + V_{H1})}{(V_{th1} - V_{H1} - V_{ref})} \quad \frac{R_2}{R_1} = \frac{V_3}{V_{th2} - V_{H2}} - 1$$

Figure 21. Positive and Negative Overvoltage Detector



The above figure shows the MC34161 configured as a positive and negative undervoltage detector. As the input voltage decreases toward ground, the LED will turn 'ON' when either VS_1 falls below V_1 , or $-VS_2$ falls below V_3 . With the dashed line output connection, the circuit becomes a positive and negative overvoltage detector. As the input voltage increases from the ground, the LED will turn 'ON' when either VS_1 exceeds V_2 , or $-VS_1$ exceeds V_1 .

For known resistor values, the voltage trip points are:

$$V_1 = (V_{th1} - V_{H1})\left(\frac{R_4}{R_3} + 1\right) \quad V_3 = \frac{R_1}{R_2}(V_{th} - V_{ref}) + V_{th2}$$

$$V_2 = V_{th1}\left(\frac{R_4}{R_3} + 1\right) \quad V_4 = \frac{R_1}{R_2}(V_{th} - V_{H2} - V_{ref}) + V_{th2} - V_{H2}$$

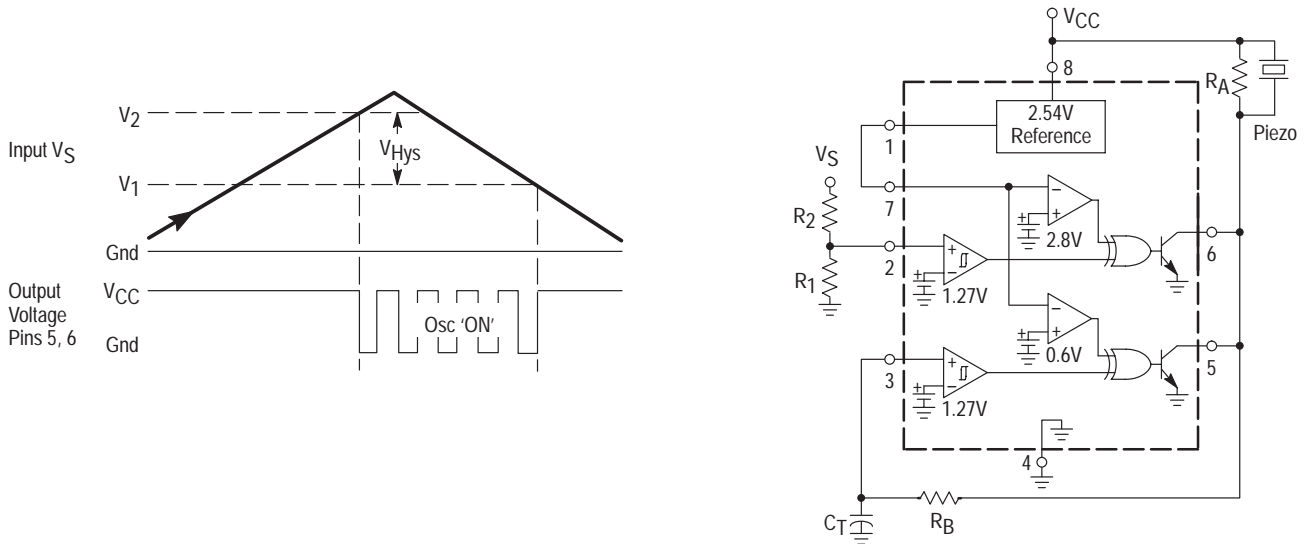
For a specific trip voltage, the required resistor ratio is:

$$\frac{R_4}{R_3} = \frac{V_2}{V_{th1}} - 1 \quad \frac{R_1}{R_2} = \frac{V_4 + V_{H2} - V_{th2}}{V_{th2} - V_{H2} - V_{ref}}$$

$$\frac{R_4}{R_3} = \frac{V_1}{V_{th1} - V_{H1}} - 1 \quad \frac{R_1}{R_2} = \frac{V_3 - V_{th2}}{V_{th2} - V_{ref}}$$

Figure 22. Positive and Negative Undervoltage Detector

MC34161, MC33161



The above figure shows the MC34161 configured as an overvoltage detector with an audio alarm. Channel 1 monitors input voltage V_S while channel 2 is connected as a simple RC oscillator. As the input voltage increases from ground, the output of channel 1 allows the oscillator to turn 'ON' when V_S exceeds V_2 .

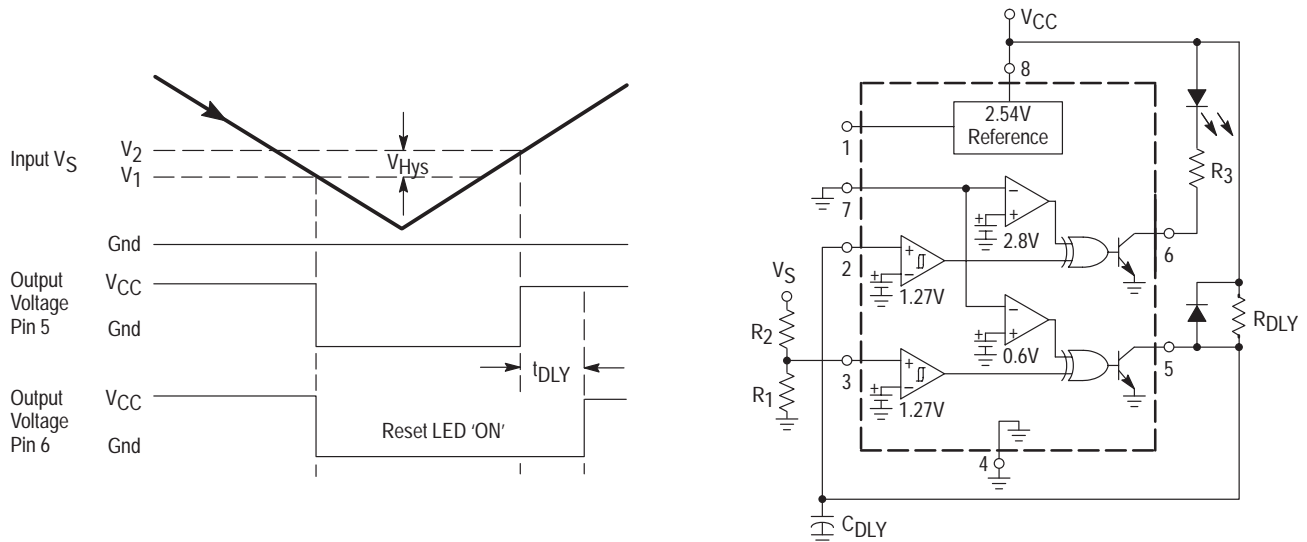
For known resistor values, the voltage trip points are:

$$V_1 = (V_{th} - V_H) \left(\frac{R_2}{R_1} + 1 \right) \quad V_2 = V_{th} \left(\frac{R_2}{R_1} + 1 \right)$$

For a specific trip voltage, the required resistor ratio is:

$$\frac{R_2}{R_1} = \frac{V_1}{V_{th} - V_H} - 1 \quad \frac{R_2}{R_1} = \frac{V_2}{V_{th}} - 1$$

Figure 23. Overvoltage Detector with Audio Alarm



The above figure shows the MC34161 configured as a microprocessor reset with a time delay. Channel 2 monitors input voltage V_S while channel 1 performs the time delay function. As the input voltage decreases towards ground, the output of channel 2 quickly discharges C_{DLY} when V_S falls below V_1 . As the input voltage increases from ground, the output of channel 2 allows R_{DLY} to charge C_{DLY} when V_S exceeds V_2 .

For known resistor values, the voltage trip points are:

$$V_1 = (V_{th} - V_H) \left(\frac{R_2}{R_1} + 1 \right) \quad V_2 = V_{th} \left(\frac{R_2}{R_1} + 1 \right)$$

For a specific trip voltage, the required resistor ratio is:

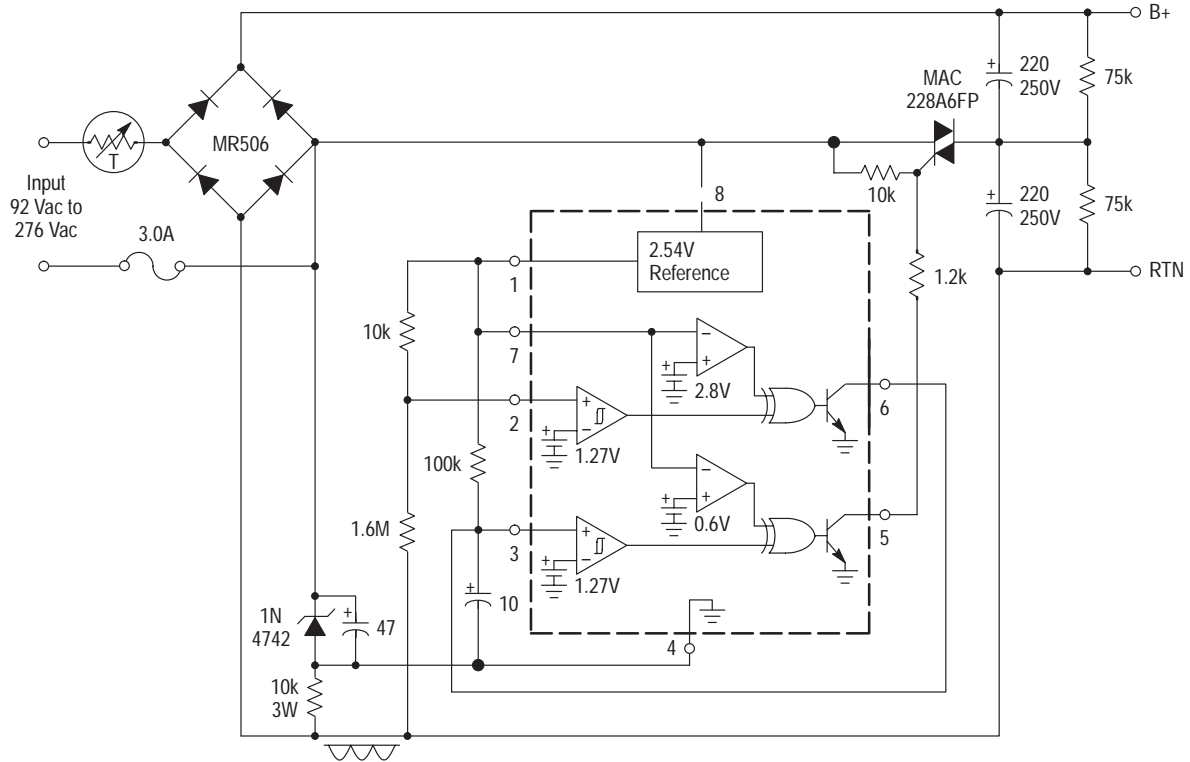
$$\frac{R_2}{R_1} = \frac{V_1}{V_{th} - V_H} - 1 \quad \frac{R_2}{R_1} = \frac{V_2}{V_{th}} - 1$$

For known R_{DLY} C_{DLY} values, the reset time delay is:

$$t_{DLY} = R_{DLY} C_{DLY} \ln \left(\frac{1}{1 - \frac{V_{th}}{V_{CC}}} \right)$$

Figure 24. Microprocessor Reset with Time Delay

MC34161, MC33161



The above circuit shows the MC34161 configured as an automatic line voltage selector. The IC controls the triac, enabling the circuit to function as a fullwave voltage doubler or a fullwave bridge. Channel 1 senses the negative half cycles of the AC line voltage. If the line voltage is less than 150 V, the circuit will switch from bridge mode to voltage doubling mode after a preset time delay. The delay is controlled by the 100 kΩ resistor and the 10 μF capacitor. If the line voltage is greater than 150 V, the circuit will immediately return to fullwave bridge mode.

Figure 25. Automatic AC Line Voltage Selector

MC34161, MC33161

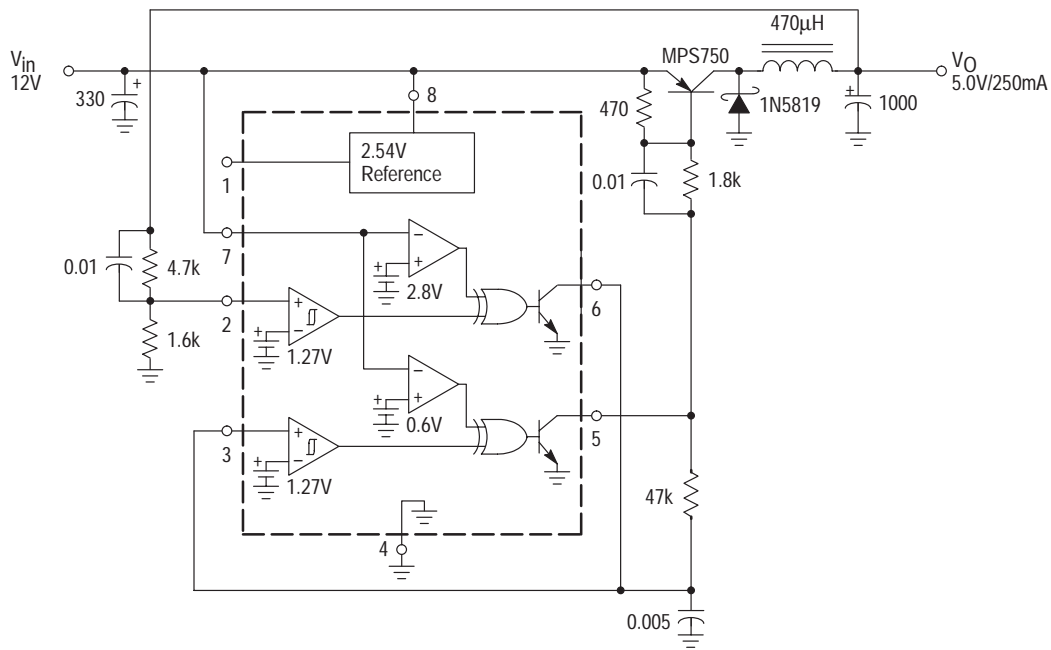


Figure 26. Step-Down Converter

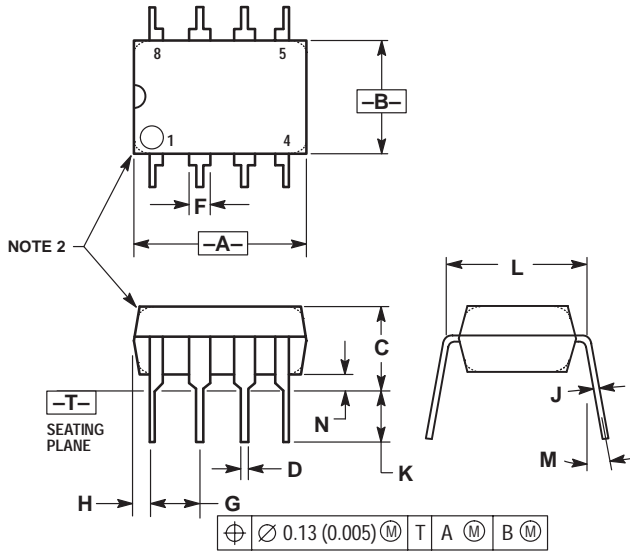
Test	Conditions	Results
Line Regulation	$V_{in} = 9.5 \text{ V to } 24 \text{ V}$, $I_O = 250 \text{ mA}$	$40 \text{ mV} = \pm 0.1\%$
Load Regulation	$V_{in} = 12 \text{ V}$, $I_O = 0.25 \text{ mA to } 250 \text{ mA}$	$2.0 \text{ mV} = \pm 0.2\%$
Output Ripple	$V_{in} = 12 \text{ V}$, $I_O = 250 \text{ mA}$	50 mVpp
Efficiency	$V_{in} = 12 \text{ V}$, $I_O = 250 \text{ mA}$	87.8%

The above figure shows the MC34161 configured as a step-down converter. Channel 1 monitors the output voltage while Channel 2 performs the oscillator function. Upon initial power-up, the converter's output voltage will be below nominal, and the output of Channel 1 will allow the oscillator to run. The external switch transistor will eventually pump-up the output capacitor until its voltage exceeds the input threshold of Channel 1. The output of Channel 1 will then switch low and disable the oscillator. The oscillator will commence operation when the output voltage falls below the lower threshold of Channel 1.

MC34161, MC33161

PACKAGE DIMENSIONS

PDIP
P SUFFIX
CASE 626-05
ISSUE K

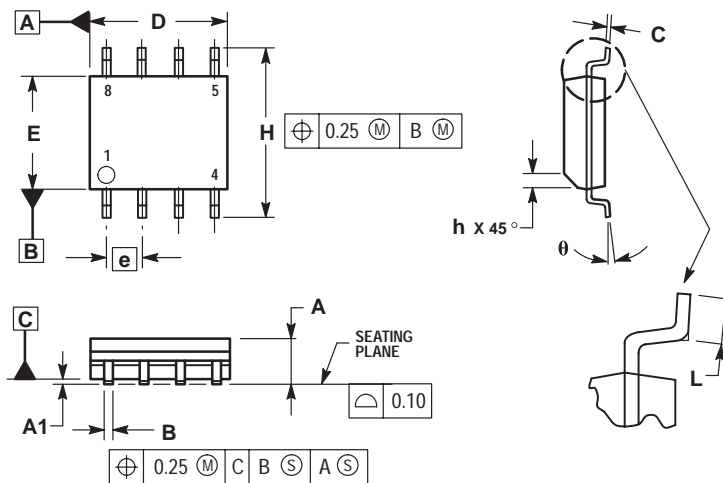


NOTES:

1. DIMENSION L TO CENTER OF LEAD WHEN FORMED PARALLEL.
2. PACKAGE CONTOUR OPTIONAL (ROUND OR SQUARE CORNERS).
3. DIMENSIONING AND TOLERANCING PER ANSI Y14.5M, 1982.

DIM	MILLIMETERS		INCHES	
	MIN	MAX	MIN	MAX
A	9.40	10.16	0.370	0.400
B	6.10	6.60	0.240	0.260
C	3.94	4.45	0.155	0.175
D	0.38	0.51	0.015	0.020
F	1.02	1.78	0.040	0.070
G	2.54 BSC		0.100 BSC	
H	0.76	1.27	0.030	0.050
J	0.20	0.30	0.008	0.012
K	2.92	3.43	0.115	0.135
L	7.62 BSC		0.300 BSC	
M	10°		10°	
N	0.76	1.01	0.030	0.040

SO-8
D SUFFIX
CASE 751-06
ISSUE T



NOTES:

1. DIMENSIONING AND TOLERANCING PER ASME Y14.5M, 1994.
2. DIMENSIONS ARE IN MILLIMETER.
3. DIMENSION D AND E DO NOT INCLUDE MOLD PROTRUSION.
4. MAXIMUM MOLD PROTRUSION 0.15 PER SIDE.
5. DIMENSION B DOES NOT INCLUDE DAMBAR PROTRUSION. ALLOWABLE DAMBAR PROTRUSION SHALL BE 0.127 TOTAL IN EXCESS OF THE B DIMENSION AT MAXIMUM MATERIAL CONDITION.

DIM	MILLIMETERS	
	MIN	MAX
A	1.35	1.75
A1	0.10	0.25
B	0.35	0.49
C	0.19	0.25
D	4.80	5.00
E	3.80	4.00
e	1.27 BSC	
H	5.80	6.20
h	0.25	0.50
L	0.40	1.25
θ	0°	7°

Notes

ON Semiconductor and  are trademarks of Semiconductor Components Industries, LLC (SCILLC). SCILLC reserves the right to make changes without further notice to any products herein. SCILLC makes no warranty, representation or guarantee regarding the suitability of its products for any particular purpose, nor does SCILLC assume any liability arising out of the application or use of any product or circuit, and specifically disclaims any and all liability, including without limitation special, consequential or incidental damages. "Typical" parameters which may be provided in SCILLC data sheets and/or specifications can and do vary in different applications and actual performance may vary over time. All operating parameters, including "Typicals" must be validated for each customer application by customer's technical experts. SCILLC does not convey any license under its patent rights nor the rights of others. SCILLC products are not designed, intended, or authorized for use as components in systems intended for surgical implant into the body, or other applications intended to support or sustain life, or for any other application in which the failure of the SCILLC product could create a situation where personal injury or death may occur. Should Buyer purchase or use SCILLC products for any such unintended or unauthorized application, Buyer shall indemnify and hold SCILLC and its officers, employees, subsidiaries, affiliates, and distributors harmless against all claims, costs, damages, and expenses, and reasonable attorney fees arising out of, directly or indirectly, any claim of personal injury or death associated with such unintended or unauthorized use, even if such claim alleges that SCILLC was negligent regarding the design or manufacture of the part. SCILLC is an Equal Opportunity/Affirmative Action Employer.

PUBLICATION ORDERING INFORMATION

NORTH AMERICA Literature Fulfillment:

Literature Distribution Center for ON Semiconductor
P.O. Box 5163, Denver, Colorado 80217 USA
Phone: 303-675-2175 or 800-344-3860 Toll Free USA/Canada
Fax: 303-675-2176 or 800-344-3867 Toll Free USA/Canada
Email: ONlit@hibbertco.com
Fax Response Line: 303-675-2167 or 800-344-3810 Toll Free USA/Canada

N. American Technical Support: 800-282-9855 Toll Free USA/Canada

EUROPE: LDC for ON Semiconductor – European Support

German Phone: (+1) 303-308-7140 (M-F 1:00pm to 5:00pm Munich Time)
Email: ONlit-german@hibbertco.com
French Phone: (+1) 303-308-7141 (M-F 1:00pm to 5:00pm Toulouse Time)
Email: ONlit-french@hibbertco.com
English Phone: (+1) 303-308-7142 (M-F 12:00pm to 5:00pm UK Time)
Email: ONlit@hibbertco.com

EUROPEAN TOLL-FREE ACCESS*: 00-800-4422-3781

*Available from Germany, France, Italy, England, Ireland

CENTRAL/SOUTH AMERICA:

Spanish Phone: 303-308-7143 (Mon-Fri 8:00am to 5:00pm MST)
Email: ONlit-spanish@hibbertco.com

ASIA/PACIFIC: LDC for ON Semiconductor – Asia Support

Phone: 303-675-2121 (Tue-Fri 9:00am to 1:00pm, Hong Kong Time)
Toll Free from Hong Kong & Singapore:
001-800-4422-3781
Email: ONlit-asia@hibbertco.com

JAPAN: ON Semiconductor, Japan Customer Focus Center
4-32-1 Nishi-Gotanda, Shinagawa-ku, Tokyo, Japan 141-8549

Phone: 81-3-5740-2745
Email: r14525@onsemi.com

ON Semiconductor Website: <http://onsemi.com>

For additional information, please contact your local Sales Representative.