

# LM5070

## Integrated Power Over Ethernet PD Interface and PWM Controller

### General Description

The LM5070 power interface port and pulse width modulation (PWM) controller provides a complete integrated solution for Powered Devices (PD) that connect into Power over Ethernet (PoE) systems. The LM5070 integrates an 80V, 400mA line connection switch and associated control for a fully IEEE 802.3af compliant interface with a full featured current mode pulse width modulator dc-dc converter. All power sequencing requirements between the controller interface and switch mode power supply (SMPS) are integrated into the IC. Two options are available providing either an 80% maximum duty cycle limit with slope compensation (on the -80 suffix) device or a 50% maximum duty cycle limit and no slope compensation on the (-50 suffix) device.

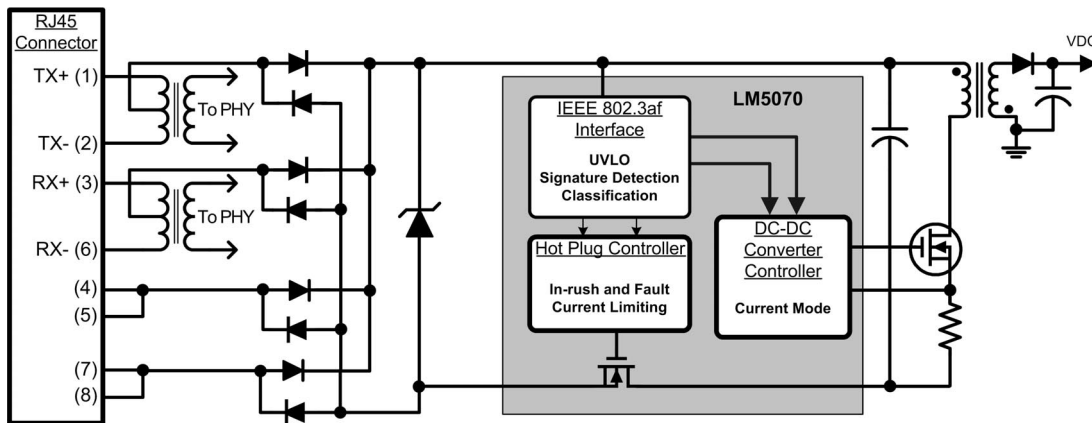
### Features

- Fully Compliant 802.3af Power Interface Port
- 80V, 1Ω, 400 mA Internal MOSFET
- Programmable Inrush Current Limit
- Detection Resistor Disconnect Function

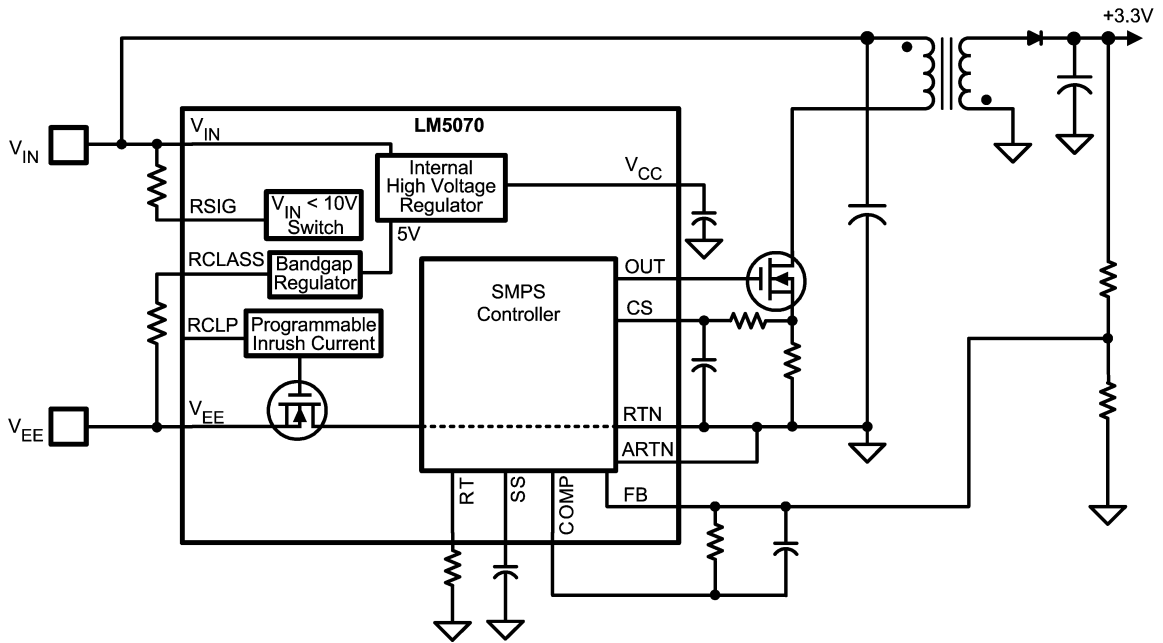
- Programmable Classification Current
- Programmable Under-voltage Lockout with Programmable Hysteresis
- Thermal Shutdown Protection
- Current Mode Pulse Width Modulator
- Supports both Isolated and Non-Isolated Applications
- Error Amplifier and Reference for Non-Isolated Applications
- Programmable Oscillator Frequency
- Programmable Soft-start
- 80% Maximum Duty Cycle Limiter, Slope Compensation (-80 device)
- 50% Maximum Duty Cycle Limiter, No Slope Compensation (-50 device)
- 800 mA Peak Gate Driver

### Packages

- TSSOP-16
- LLP-16 (5 mm x 5 mm)



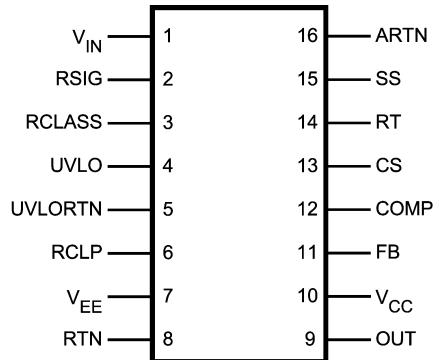
20120001



20120002

FIGURE 1. Simplified Block Diagram

### Connection Diagram



20120003

16 Lead TSSOP, LLP

### Ordering Information

Order Number	Description	NSC Package Type / Drawing	Supplied As
LM5070MTC-50	50% Duty Cycle Limit	TSSOP-16/MTC-16	92 units per rail
LM5070MTCX-50	50% Duty Cycle Limit	TSSOP-16/MTC-16	2500 units on tape and reel
LM5070SD-50	50% Duty Cycle Limit	LLP-16/SDA-16	Available Soon
LM5070SDX-50	50% Duty Cycle Limit	LLP-16/SDA-16	Available Soon
LM5070MTC-80	80% Duty Cycle Limit	TSSOP-16/MTC-16	92 units per rail
LM5070MTCX-80	80% Duty Cycle Limit	TSSOP-16/MTC-16	2500 units on tape and reel
LM5070SD-80	80% Duty Cycle Limit	LLP-16/SDA-16	Available Soon
LM5070SDX-80	80% Duty Cycle Limit	LLP-16/SDA-16	Available Soon

## Pin Description

PIN	NAME	DESCRIPTION	APPLICATION INFORMATION
1	V <sub>IN</sub>	System high potential input.	The diode “OR” of several lines entering the PD, it is the more positive input potential.
2	RSIG	Signature resistor pin.	Connect a 25kΩ signature resistor from V <sub>IN</sub> to this pin for signature detection.
3	RCLASS	Classification resistor pin.	Connect the classification programming resistor from this pin to V <sub>EE</sub> .
4	UVLO	Line under-voltage lockout.	An external resistor divider from V <sub>IN</sub> to UVLORTN programs the shutdown levels with a 2.00V threshold at the UVLO pin. Hysteresis is set by a switched internal 10uA current source that forces additional current into the resistor divider.
5	UVLORTN	Return for the external UVLO resistors, if used.	Connect the bottom resistor of the resistor divider between the UVLO pin and this pin.
6	RCLP	Current limit programming pin.	Programs the inrush current limit for the device. If left open, the inrush current limit will default to 400mA max.
7	V <sub>EE</sub>	System low potential input.	Diode “OR’d” to the RJ45 connector and PSE’s –48V supply, it is the more negative input potential.
8	RTN	System return for the PWM converter.	The drain of the internal current limiting power MOSFET which connects V <sub>EE</sub> to the return path of the dc-dc converter.
9	OUT	Output of the PWM controller.	DC-DC converter gate driver output with 800mA peak sink current capability.
10	V <sub>CC</sub>	Output of the internal high voltage series pass regulator. Regulated output voltage is nominally 7.8V.	When the auxiliary transformer winding (if used) raises the voltage on this pin above the regulation set point, the internal series pass regulator will shutdown, reducing the controller power dissipation.
11	FB	Feedback signal.	Inverting input of the internal error amplifier. The non-inverting input is internally connected to a 1.25V reference.
12	COMP	The output of the error amplifier and input to the Pulse Width Modulator.	COMP pull-up is provided by an internal 5K resistor which may be used to bias an opto-coupler transistor.
13	CS	Current sense input.	Current sense input for current mode control and over-current protection. Current limiting is accomplished using a dedicated current sense comparator. If the CS pin voltage exceeds 0.5V the OUT pin switches low for cycle-by-cycle current limiting. CS is held low for 50ns after OUT switches high to blank leading edge current spikes.
14	RT / SYNC	Oscillator timing resistor pin and synchronization input.	An external resistor connected from RT to ARTN sets the oscillator frequency. This pin will also accept narrow ac-coupled synchronization pulses from an external clock.
15	SS	Soft-start input.	An external capacitor and an internal 10uA current source set the soft-start ramp rate.
16	ARTN	Analog PWM supply return.	RTN for sensitive analog circuitry including the SMPS current limit amplifier.
—	EP	Exposed PAD, underside of the LLP package option.	Internally bonded to the die substrate. Connect to V <sub>EE</sub> potential for low thermal impedance.

**Absolute Maximum Ratings** (Note 1)

If Military/Aerospace specified devices are required, please contact the National Semiconductor Sales Office/Distributors for availability and specifications.

$V_{IN}$ , RTN to $V_{EE}$	-0.3V to 80V
RSIG to $V_{IN}$	-12V to 0V
UVLO to $V_{EE}$	-0.3V to 57V
UVLORTN	-0.3V to 13V
RCLASS, RCLP to $V_{EE}$	-0.3V to 7V
ARTN to RTN	-0.3V to 0.3V
$V_{CC}$ , OUT to ARTN	-0.3V to 16V
All other inputs to ARTN	-0.3V to 7V
ESD Rating	

Human Body Model	2000V
Storage Temperature	-65°C to +150°C
Junction Temperature	150°C
Lead Temperature (Note 2)	
Wave (4 seconds)	260°C
Infrared (10 seconds)	240°C
Vapor Phase (75 seconds)	219°C

**Operating Ratings**

$V_{IN}$ voltage	1.8V to 75V
External voltage applied to $V_{CC}$	8.1V to 15V
Operating Junction Temperature	-40°C to +125°C

**Electrical Characteristics** (Note 3)

Specifications in standard type face are for  $T_J = +25^\circ\text{C}$  and those in **boldface type** apply over the full operating junction temperature range. Unless otherwise specified:  $V_{IN} = 48\text{V}$ ,  $V_{CC} = 10\text{V}$ ,  $RT = 30.3\text{k}\Omega$ .

Symbol	Parameter	Conditions	Min	Typ	Max	Units
<b>Powered Interface</b>						
IOS	Offset Current	$V_{IN} < 10.0\text{V}$			<b>10</b>	V
VCLSS(ON)	Signature Resistor Disable / Classification Current Turn On	$V_{IN}$ with respect to $V_{EE}$	<b>10.0</b>	11.5	<b>12.5</b>	V
VCLSS(OFF)	Classification Current Turn Off	$V_{IN}$ with respect to $V_{EE}$	<b>20.5</b>	22.0	<b>23.0</b>	V
	Classification Voltage	With respect to $V_{EE}$	<b>1.43</b>	1.5	<b>1.57</b>	V
ICLASS	Supply Current During Classification	$V_{IN} = 17\text{V}$		0.5	<b>1.5</b>	mA
IDC	Supply Current During Normal Operation	OUT floating		1	<b>1.9</b>	mA
	UVLO Pin Reference Voltage	$V_{IN} > 12\text{V}$	<b>1.95</b>	2.00	<b>2.05</b>	V
	UVLO Hysteresis Current	$V_{IN} > \text{UVLO}$	<b>8.0</b>	10	<b>11.5</b>	$\mu\text{A}$
	Softstart Release	RTN falling with respect to $V_{EE}$	<b>1.2</b>	1.45	<b>1.7</b>	V
	Softstart Release Hysteresis	RTN rising with respect to $V_{EE}$	<b>0.8</b>	1.1	<b>1.3</b>	V
RDS(ON)	PowerFET Resistance	$I = 350\text{mA}$ , $V_{IN} = 48\text{V}$		1	<b>2.2</b>	$\Omega$
ILEAK	SMPS Bias Current	$V_{EE} = 0\text{V}$ , $V_{IN} = \text{RTN} = 57\text{V}$			<b>100</b>	$\mu\text{A}$
ILIM	Default Current Limit	$V_{EE} = 0\text{V}$ , $\text{RTN} = 3.0\text{V}$ , Temp = $0^\circ\text{C}$ to $85^\circ\text{C}$	<b>350</b>	390	<b>420</b>	mA
ILIM	Default Current Limit	$V_{EE} = 0\text{V}$ , $\text{RTN} = 3.0\text{V}$ , Temp = $-40^\circ\text{C}$ to $125^\circ\text{C}$	<b>325</b>	390	<b>420</b>	mA
	Current Limit Programming Accuracy	$V_{EE} = 0\text{V}$ , $\text{RTN} = 3.0\text{V}$ , $\text{RCLP} = 80.6\text{k}\Omega$	<b>-20</b>		<b>+20</b>	%
<b>Startup Regulator</b>						
VccReg	$V_{CC}$ Regulation	Open ckt	<b>7.5</b>	7.8	<b>8.1</b>	V
	$V_{CC}$ Current Limit	(Note 4)	<b>15</b>	20		mA

## Electrical Characteristics (Note 3) (Continued)

Specifications in standard type face are for  $T_J = +25^\circ\text{C}$  and those in **boldface type** apply over the full operating junction temperature range. Unless otherwise specified:  $V_{IN} = 48\text{V}$ ,  $V_{CC} = 10\text{V}$ ,  $RT = 30.3\text{k}\Omega$ .

Symbol	Parameter	Conditions	Min	Typ	Max	Units
<b>V<sub>CC</sub> Supply</b>						
	V <sub>CC</sub> UVLO (Rising)		<b>VccReg – 300mV</b>	VccReg – 100mV		
	V <sub>CC</sub> UVLO (Falling)		<b>5.9</b>	6.25	<b>6.6</b>	V
	Supply Current (I <sub>cc</sub> )	Cload = 0		1.5	<b>3</b>	mA
<b>Error Amplifier</b>						
GBW	Gain Bandwidth			4		MHz
	DC Gain			75		dB
	Input Voltage	FB = COMP	1.219 <b>1.212</b>		1.281 <b>1.288</b>	V
	COMP Sink Capability	FB=1.5V COMP=1V	<b>5</b>	20		mA
<b>Current Limit</b>						
	ILIM Delay to Output	CS step from 0 to 0.6V, time to onset of OUT transition (90%)		20		ns
	Cycle by Cycle Current Limit Threshold Voltage		<b>0.44</b>	0.5	<b>0.56</b>	V
	Leading Edge Blanking Time			55		ns
	CS Sink Impedance (clocked)			25	<b>55</b>	$\Omega$
<b>Softstart</b>						
	Softstart Current Source		<b>7</b>	10	<b>13</b>	$\mu\text{A}$
<b>Oscillator (Note 5)</b>						
	Frequency1 (RT = 30.3K)		<b>175</b>	200	<b>225</b>	KHz
	Frequency2 (RT = 10.5K)		<b>505</b>	580	<b>665</b>	KHz
	Sync threshold			3.1	<b>3.8</b>	V
<b>PWM Comparator</b>						
	Delay to Output	COMP set to 2V CS stepped 0 to 0.4V, time to onset of OUT transition low		25		ns
	Min Duty Cycle	COMP=0V			<b>0</b>	%
	Max Duty Cycle (-80 Device)			80		%
	Max Duty Cycle (-50 Device)			50		%
	COMP to PWM Comparator Gain			0.33		
	COMP Open Circuit Voltage		<b>4.5</b>	5.4	<b>6.3</b>	V
	COMP Short Circuit Current	COMP= 0V	<b>0.6</b>	1.1	<b>1.5</b>	mA
<b>Slope Compensation</b>						
	Slope Comp Amplitude (LM5070-80 Device Only)	Delta increase at PWM Comparator to CS		105		mV
<b>Output Section</b>						
	Output High Saturation	I <sub>out</sub> = 50mA, V <sub>CC</sub> - V <sub>OUT</sub>		0.25	<b>0.75</b>	V
	Output Low Saturation	I <sub>out</sub> = 100mA		0.25	<b>0.75</b>	V
	Rise time	Cload = 1nF		15		ns
	Fall time	Cload = 1nF		15		ns

## Electrical Characteristics (Note 3) (Continued)

Specifications in standard type face are for  $T_J = +25^\circ\text{C}$  and those in **boldface type** apply over the full operating junction temperature range. Unless otherwise specified:  $V_{IN} = 48\text{V}$ ,  $V_{CC} = 10\text{V}$ ,  $RT = 30.3\text{k}\Omega$ .

Symbol	Parameter	Conditions	Min	Typ	Max	Units
<b>Thermal Shutdown</b>						
Tsd	Thermal Shutdown Temp.			165		$^\circ\text{C}$
Thermal Shutdown Hysteresis				25		$^\circ\text{C}$
<b>Thermal Resistance</b>						
$\theta_{JA}$	Junction to Ambient	MTC Package		125		$^\circ\text{C/W}$
		SDA Package		32		$^\circ\text{C/W}$

**Note 1:** Absolute Maximum Ratings are limits beyond which damage to the device may occur. Operating Ratings are conditions under which operation of the device is intended to be functional. For guaranteed specifications and test conditions, see the Electrical Characteristics.

**Note 2:** For detailed information on soldering plastic TSSOP and LLP package, refer to the Packaging Databook available from National Semiconductor.

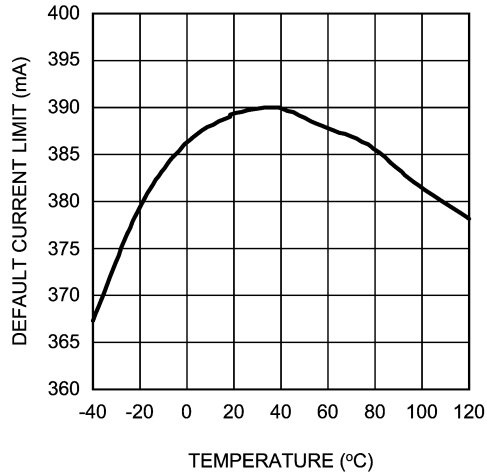
**Note 3:** Min and Max limits are 100% production tested at  $25^\circ\text{C}$ . Limits over the operating temperature range are guaranteed through correlation using Statistical Quality Control (SQC) methods. Limits are used to calculate National's Average Outgoing Quality Level (AOQL).

**Note 4:** Device thermal limitations may limit usable range.

**Note 5:** Specification applies to the oscillator frequency. The operational frequency of the LM5070-50 devices is divided by two.

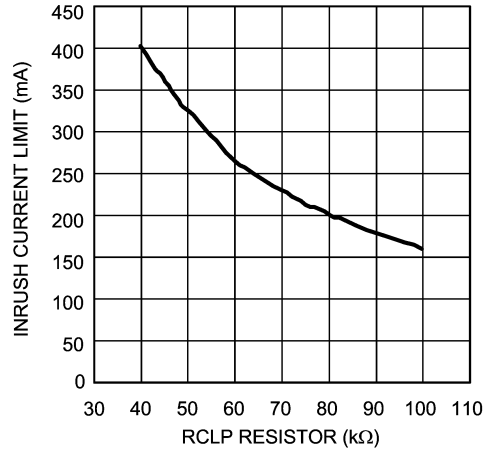
# Typical Performance Characteristics

Default Current Limit vs Temperature



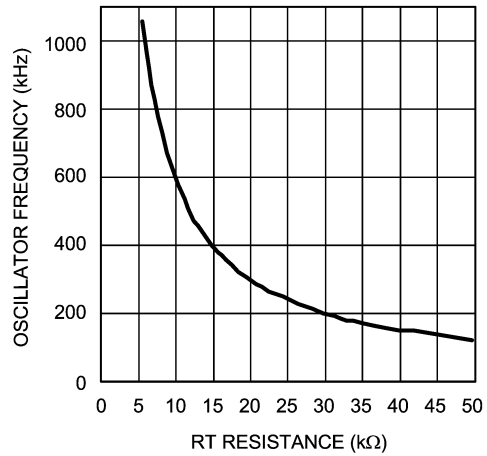
20120009

Inrush Current Limit vs RCLP Resistor



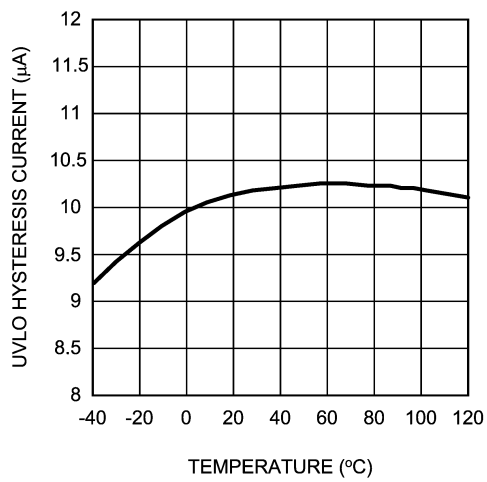
20120010

Oscillator Frequency vs RT Resistance



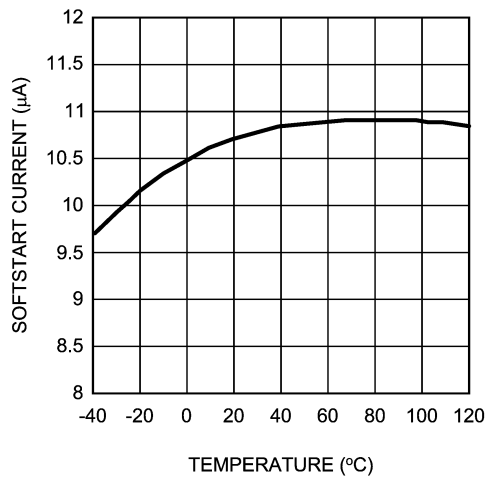
20120013

UVLO Hysteresis Current vs Temperature



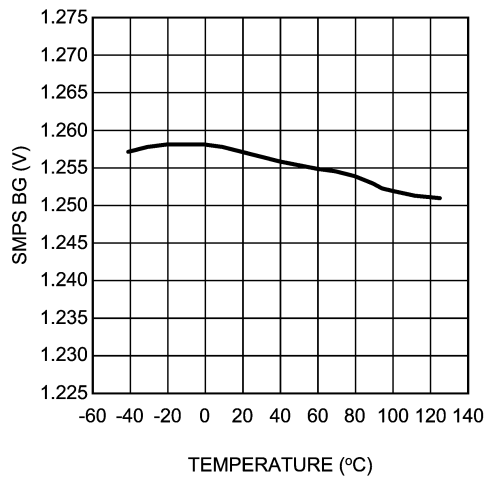
20120008

Softstart Current vs Temperature



20120015

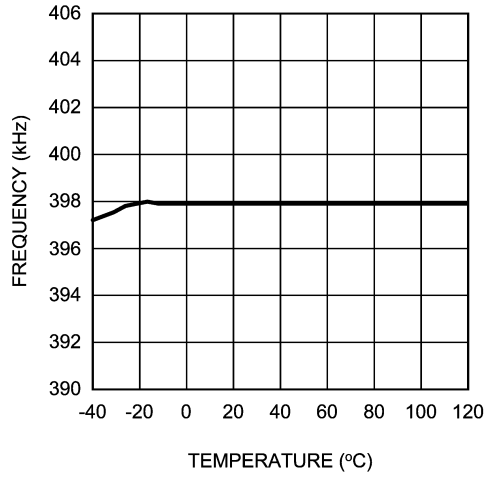
Error Amp Input Voltage vs temperature



20120017

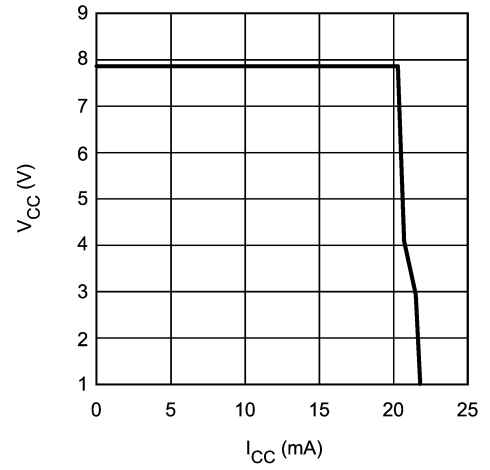
# Typical Performance Characteristics (Continued)

**Oscillator Frequency vs Temperature**  
 RT = 15.2 kΩ



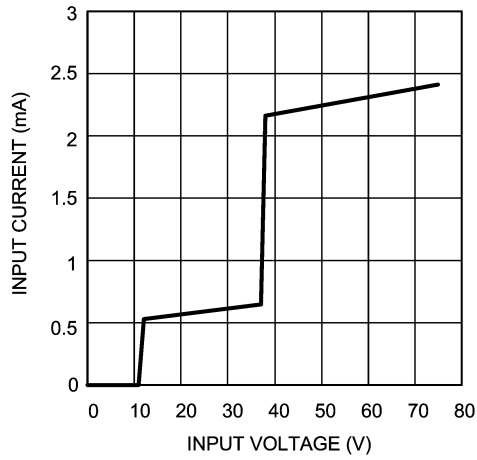
20120014

**V<sub>CC</sub> vs I<sub>CC</sub>**



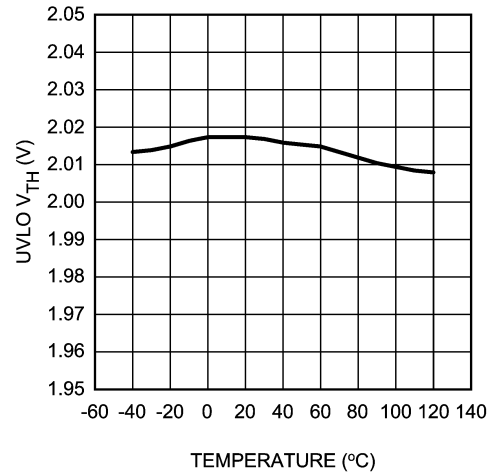
20120012

**Input Current vs Input Voltage**



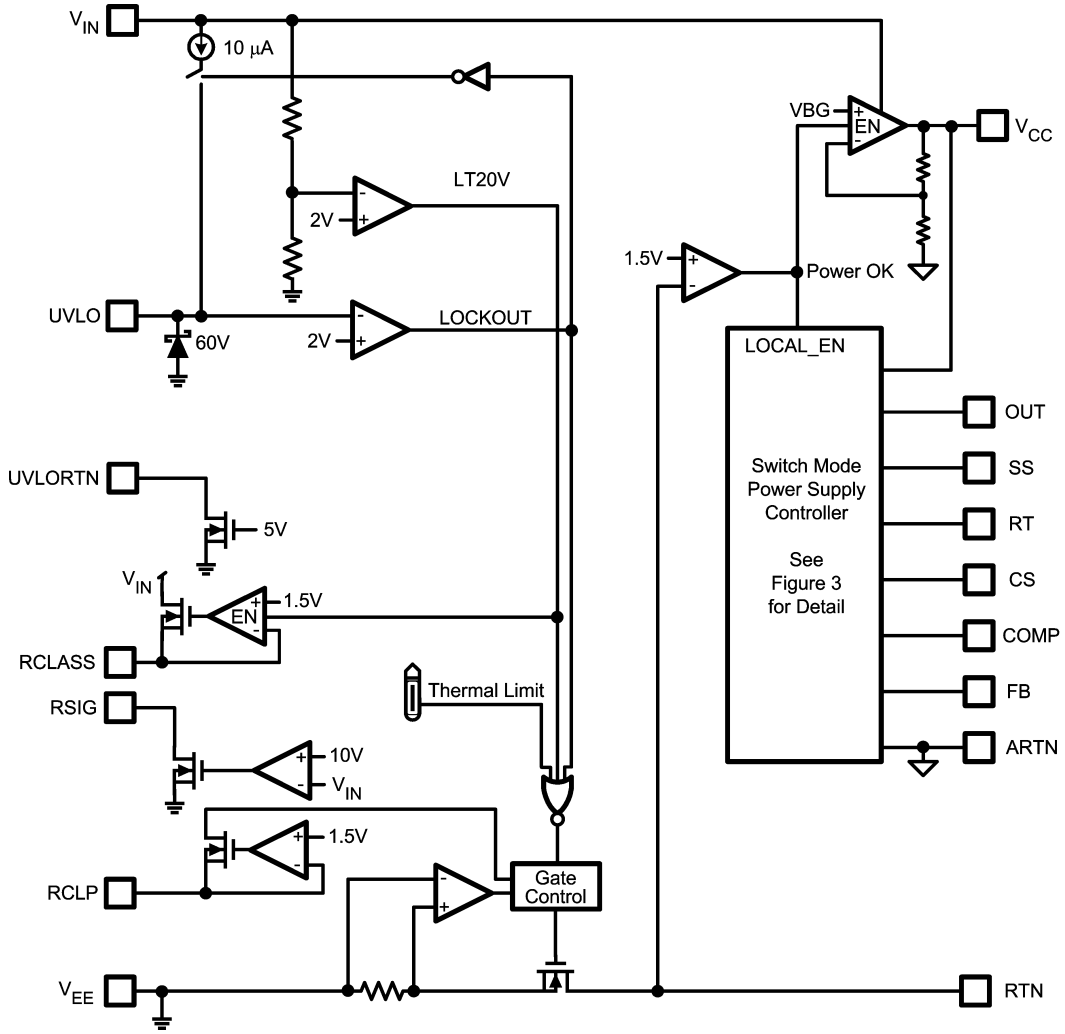
20120007

**UVLO Threshold vs Temperature**



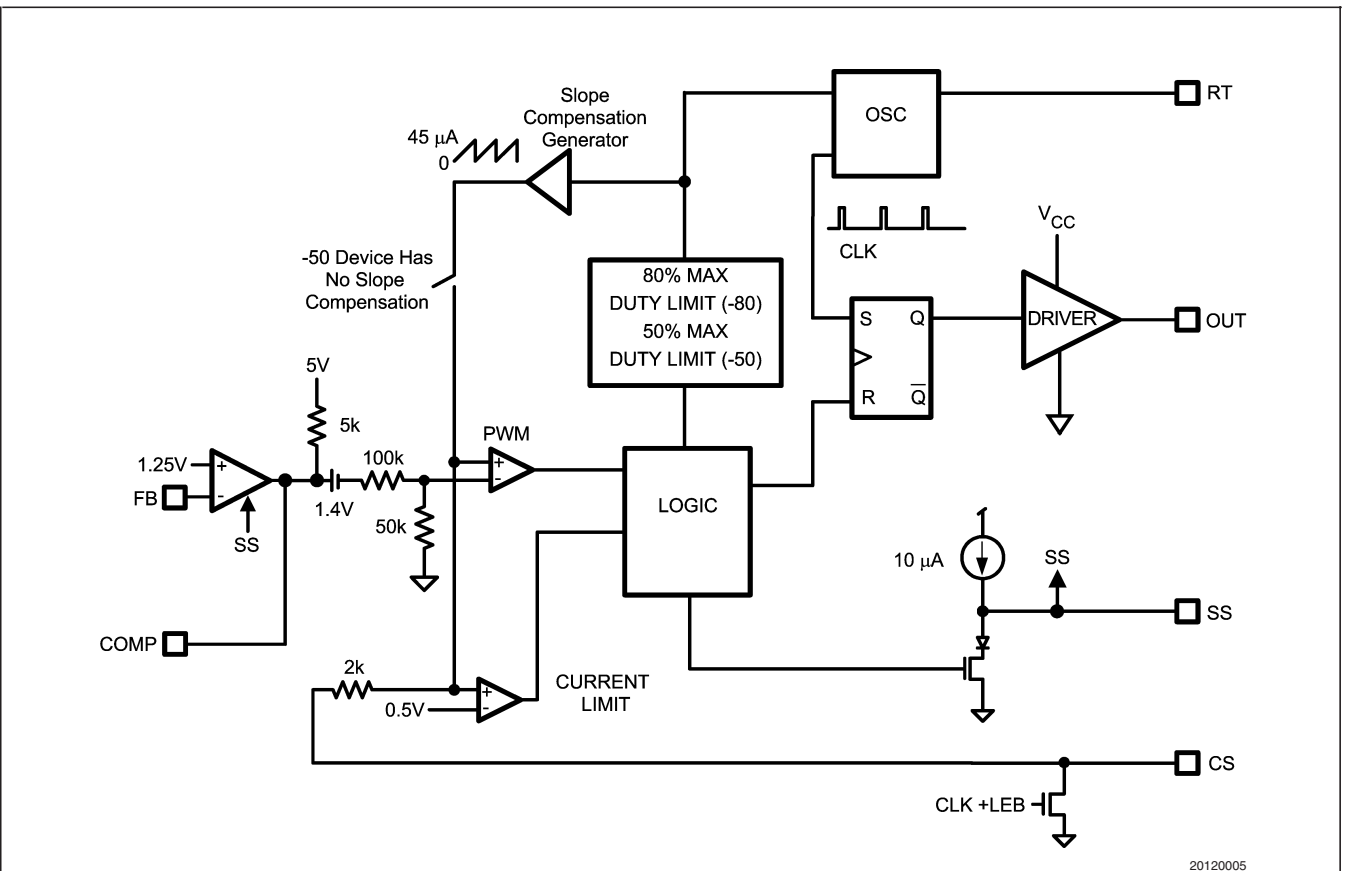
20120006





20120004

FIGURE 2. Top Level Block Diagram



20120005

FIGURE 3. PWM Controller Block Diagram

## Detailed Operating Description

The LM5070 power interface port and pulse width modulation (PWM) controller provides a complete integrated solution for Powered Devices (PD) that connect into Power over Ethernet (PoE) systems. Major features of the PD interface portion of the IC include detection, classification, programmable inrush current limit, thermal limit, programmable undervoltage lockout, and current limit monitoring. The device also includes a high-voltage start-up bias regulator that operates over a wide input range up to 75V. The switch mode power supply (SMPS) control portion of the IC includes power good sensing,  $V_{CC}$  regulator under-voltage lockout, cycle-by-cycle current limit, error amplifier, slope compensation, softstart, and oscillator sync capability. This high speed BiCMOS IC has total propagation delays less than 100ns and a 1MHz capable oscillator programmed by a single external resistor. The LM5070 PWM controller provides

current-mode control for dc-dc converter topologies requiring a single drive output, such as Flyback and Forward topologies. The LM5070 PWM enables all of the advantages of current-mode control including line feed-forward, cycle-by-cycle current limit and simplified loop compensation. The oscillator ramp is internally buffered and added to the PWM comparator input ramp to provide slope compensation necessary for current mode control at duty cycles greater than 50% (-80 suffix only).

## Modes of Operation

The LM5070 PD interface is designed to provide a fully compliant IEEE 802.3af system. As such, the modes of operation take into account the barrel rectifiers often utilized to correctly polarize the dc input from the Ethernet cable. Table 1 shows the LM5070 operating modes and associated input voltage range.

**TABLE 1. Operating Modes With Respect to Input Voltage**

Input Voltage $V_{IN}$ wrt $V_{EE}$	Mode of Operation
1.8V to 10.0V	Detection (Signature)
12.5V to 20.5V	Classification
23.0V to UVLO Rising $V_{th}$	Awaiting Full Power
75V to UVLO Falling $V_{th}$	Normal Powered Operation

An external signature resistor is connected to  $V_{EE}$  when  $V_{IN}$  exceeds 1.8V, initiating detection mode. During detection mode, quiescent current drawn by the LM5070 is less than 10uA. Between 10.0V and 12.5V, the device enters classification mode and the signature resistor is disabled. The nominal range for classification mode is 11.5V to 21.5V. The classification current is turned off once the classification range voltage is exceeded, to reduce power dissipation. Between 21.5V and UVLO release, the device is in a standby state, awaiting the input voltage to reach the operational range to complete the power up sequence. Once the  $V_{IN}$  voltage increases above the upper UVLO threshold voltage, the internal power MOSFET is enabled to deliver a constant current to charge the input capacitor of the dc-dc converter. When the MOSFET  $V_{ds}$  voltage falls below 1.5V, the internal Power Good signal enables the SMPS controller. The LM5070 is specified to operate with an input voltage as high as 75V. The SMPS controller and internal MOSFET are disabled when  $V_{IN}$  falls to the lower UVLO threshold.

## Detection Signature

To detect a potential powered device candidate, the PSE will apply a voltage from 2.8V to 10V across the input terminals of the PD. The voltage can be of either polarity so a diode barrel network is required on both lines to ensure this capability. The PSE will take two measurements, separated by at least 1V and 2ms of time. The voltage ramp between measurement points will not exceed 0.1V/us. The delta voltage / delta current calculation is then performed; if the detected impedance is above 23.75k $\Omega$  and below 26.25k $\Omega$ , the PSE will consider a PD to be present. If the impedance is less than 15k $\Omega$  or greater than 33k $\Omega$  a PD will be considered not present and will not receive power. Impedances between these values may or may not indicate the presence of a valid PD. The LM5070 will enable the signature resistor at a controller input voltage of 1.5V to take into account the diode voltage drops. The PSE will tolerate no more than 1.9V of offset voltage (caused by the external diodes) or more than 10uA of offset current (bias current). The input capacitance must be greater than 0.05uF and less than 0.12uF. To increase efficiency, the signature resistor is disabled by the LM5070 controller once the input voltage is above the detection range (> 11V).

## Classification

To classify the PD, the PSE will present a voltage between 14.5V and 20.5V to the PD. The LM5070 enables classification mode at a nominal input voltage of 11.5V. An internal 1.5V linear regulator and an external resistor connected to the RCLASS pin provide classification programming current. Table 2 shows the external classification resistor required for a particular class.

The classification current flows through the IC into the classification resistor. The suggested resistor values take into account the bias current flowing into the IC. A different desired RCLASS can be calculated by dividing 1.5V by the desired classification current.

Per the IEEE 802.3af specification, classification is optional, and the PSE will default to class 0 if a valid classification current is not detected. If PD classification is not desired (i.e., Class 0), simply leave the RCLASS pin open. The classification time period may not last longer than 75ms as per IEEE 802.3af. The LM5070 will remain in classification mode until  $V_{IN}$  is greater than 22V.

**TABLE 2. Classification Levels and Required External Resistors**

Class	PMIN	PMAX	ICLASS (MIN)	ICLASS (MAX)	RCLASS
0	0.44W	12.95W	0mA	4mA	Open
1	0.44W	3.84W	9mA	12mA	150 $\Omega$
2	3.84W	6.49W	17mA	20mA	82.5 $\Omega$
3	6.49W	12.95W	26mA	30mA	53.6 $\Omega$
4	Reserved	Reserved	36mA	44mA	38.3 $\Omega$

## Undervoltage Lockout (UVLO)

The IEEE 802.3af specification states that the PSE will supply power to the PD within 400ms after completion of detection. The LM5070 contains a programmable line Under Voltage Lock Out (UVLO) circuit. The first resistor should be connected between the  $V_{IN}$  to UVLO pins; the bottom resistor in the divider should be connected between the UVLO and UVLORTN pins. The bottom resistor should not be tied to  $V_{EE}$  because any current from  $V_{IN}$  to  $V_{EE}$  will cause the system to violate the 10uA maximum offset current specification during detection mode.

The divider must be designed such that the voltage at the UVLO pin equals 2.0V when  $V_{IN}$  reaches the desired minimum operating level. If the UVLO threshold is not met, the interface control and SMPS control will remain in standby.

UVLO hysteresis is accomplished with an internal 10uA current source that is switched on and off into the impedance of the UVLO set point divider. When the UVLO threshold is exceeded, the current source is activated to instantly raise the voltage at the UVLO pin. When the UVLO pin voltage falls below the 2.00V threshold, the current source is turned off, causing the voltage at the UVLO pin to fall. The LM5070 UVLO thresholds cannot be programmed lower than 23V, otherwise the device would operate in classification mode with both the classification current source and the SMPS enabled. The combined power dissipation of these two functions could exceed the maximum power dissipation of the package.

There are many additional uses for the UVLO pin. The UVLO function can also be used to implement a remote enable / disable function. Pulling the UVLO pin down below the UVLO threshold disables the interface and SMPS controller.

## Power Supply Operation / Current Limit Programming

Once the UVLO threshold has been satisfied, the interface controller of the LM5070 will charge up the SMPS input capacitor through the internal power MOSFET. This load

## Power Supply Operation / Current Limit Programming (Continued)

capacitance provides input filtering for the power converter section and must be at least 5 $\mu$ F per the IEEE 802.3af specification. To accomplish the charging in a controlled manner, the power MOSFET is current limited to 375mA. The IEEE 802.3af specification requires that the load capacitance be charged within 75ms.

Some legacy PSEs may not be able to supply the IEEE maximum power of 15W to the PD, and this can be a problem during startup. Low power PDs that are used in these legacy systems will require a lower startup current limit. The LM5070 can be programmed for a reduced inrush current limit level with a resistor at RCLP pin. The programmable inrush current limit range is 75mA to 390mA. If the RCLP pin is left open, the LM5070 will default to 390mA, near the maximum allowed per the IEEE 802.3 specification. To set a desired inrush current limit (limit), the RCLP resistor can be calculated from:

$$RCLP = \frac{16000\Omega \cdot A}{I_{\text{limit}} (A)}$$

The SMPS controller will not initiate operation until the load capacitor is completely charged. The power sequencing between the interface circuitry and the SMPS controller occurs automatically within the LM5070. Detection circuitry monitors the RTN pin to detect interface startup completion. When the RTN pin potential drops below 1.5V with respect to  $V_{EE}$ , the  $V_{CC}$  regulator of the SMPS controller is enabled. The soft-start function is enabled once the  $V_{CC}$  regulator achieves minimum operating voltage. The RCLP programmed inrush current limit only applies to the initial charging phase. The interface power MOSFET current limit will revert to the fixed default protection current limit of 390mA once the SMPS is powered up and the soft-start pin sequence begins.

## High Voltage Start-up Regulator

The LM5070 contains an internal high voltage startup regulator that allows the input pin ( $V_{IN}$

IN) to be connected directly to line voltages as high as 75V. The regulator output is internally current limited to 15mA. The recommended capacitance range for the  $V_{CC}$  regulator output is 0.1 $\mu$ F to 10 $\mu$ F. When the voltage on the  $V_{CC}$  pin reaches the regulation point of 7.8V, the controller output is enabled. The controller will remain enabled until  $V_{CC}$  falls below 6.25V.

In typical applications, a transformer auxiliary winding is diode connected to the  $V_{CC}$  pin. This winding should raise the  $V_{CC}$  voltage above 8.1V to shut off the internal startup regulator. Though not required, powering  $V_{CC}$  from an auxiliary winding improves conversion efficiency while reducing the power dissipated in the controller. The external  $V_{CC}$  capacitor must be selected such that the capacitor maintains the  $V_{CC}$  voltage greater than the  $V_{CC}$  UVLO falling threshold (6.25V) during the initial start-up. During a fault condition when the converter auxiliary winding is inactive, external current draw on the  $V_{CC}$  line should be limited such that the power dissipated in the start-up regulator does not exceed the maximum power dissipation capability of the LM5070 package.

## Error Amplifier

An internal high gain error amplifier is provided within the LM5070. The amplifier's non-inverting reference is set to a fixed reference voltage of 1.25V. The inverting input is connected to the FB pin. In non-isolated applications, the power converter output is connected to the FB pin via voltage scaling resistors. Loop compensation components are connected between the COMP and FB pins. For most isolated applications the error amplifier function is implemented on the secondary side of the converter and the internal error amplifier is not used. The internal error amplifier is configured as an open drain output and can be disabled by connecting the FB pin to ARTN. An internal 5K pull-up resistor between a 5V reference and COMP can be used as the pull-up for an optocoupler in isolated applications.

## Current Limit / Current Sense

The LM5070 provides a cycle-by-cycle over current protection function. Current limit is accomplished by an internal current sense comparator. If the voltage at the current sense comparator input CS exceeds 0.5V with respect to RTN/ARTN, the output pulse will be immediately terminated. A small RC filter, located near the CS pin of the controller, is recommended to filter noise from the current sense signal. The CS input has an internal MOSFET which discharges the CS pin capacitance at the conclusion of every cycle. The discharge device remains on an additional 50ns after the beginning of the new cycle to attenuate the leading edge spike on the current sense signal.

The LM5070 current sense and PWM comparators are very fast, and may respond to short duration noise pulses. Layout considerations are critical for the current sense filter and sense resistor. The capacitor associated with the CS filter must be located very close to the device and connected directly to the pins of the controller (CS and ARTN). If a current sense transformer is used, both leads of the transformer secondary should be routed to the sense resistor and the current sense filter network. A sense resistor located in the source of the primary power MOSFET may be used for current sensing, but a low inductance resistor is required. When designing with a current sense resistor, all of the noise sensitive low power ground connections should be connected together local to the controller and a single connection should be made to the high current power return (sense resistor ground point).

## Oscillator, Shutdown and Sync Capability

A single external resistor connected between the RT and ARTN pins sets the LM5070 oscillator frequency. Internal to the LM5070–50 device (50% duty cycle limited option) is an oscillator divide by two circuit. This divide by two circuit creates an exact 50% duty cycle clock which is used internally to create a precise 50% duty cycle limit function. Because of this divide by two, the internal oscillator actually operates at twice the frequency of the output (OUT). For the LM5070–80 device the oscillator frequency and the operational output frequency are the same. To set a desired output operational frequency (F), the RT resistor can be calculated from:

LM5070-80:

## Oscillator, Shutdown and Sync Capability (Continued)

$$RT = \frac{1}{F \times 165 \times 10^{-12}}$$

LM5070-50:

$$RT = \frac{1}{F \times 330 \times 10^{-12}}$$

The LM5070 can also be synchronized to an external clock. The external clock must have a higher frequency than the free running oscillator frequency set by the RT resistor. The clock signal should be capacitively coupled into the RT pin with a 100pF capacitor. A peak voltage level greater than 3.7 volts at the RT pin is required for detection of the sync pulse. The sync pulse width should be set between 15 to 150ns by the external components. The RT resistor is always required, whether the oscillator is free running or externally synchronized. The voltage at the RT pin is internally regulated to a 2 volts. The RT resistor should be located very close to the device and connected directly to the pins of the controller (RT and ARTN).

## PWM Comparator / Slope Compensation

The PWM comparator compares the current ramp signal with the loop error voltage derived from the error amplifier output. The error amplifier output voltage at the COMP pin is offset by 1.4V and then further attenuated by a 3:1 resistor divider. The PWM comparator polarity is such that 0 Volts on the COMP pin will result in zero duty cycle at the controller output. For duty cycles greater than 50 percent, current mode control circuits are subject to sub-harmonic oscillation. By adding an additional fixed slope voltage ramp signal (slope compensation) to the current sense signal, this oscillation can be avoided. The LM5070-80 integrates this slope compensation by summing a current ramp generated by the oscillator with the current sense signal. Additional slope compensation may be added by increasing the source impedance of the current sense signal (with an external resis-

tor between the CS pin and current sense resistor). Since the LM5070-50 is not capable of duty cycles greater than 50%, there is no slope compensation feature in this device.

## Softstart

The softstart feature allows the power converter to gradually reach the initial steady state operating point, thereby reducing start-up stresses, output overshoot and current surges. At power on, after the  $V_{CC}$  undervoltage lockout threshold is satisfied, an internal 10 $\mu$ A current source charges an external capacitor connected to the SS pin. The capacitor voltage will ramp up slowly and will limit the COMP pin voltage and the duty cycle of the output pulses.

## Gate Driver and Maximum Duty Cycle Limit

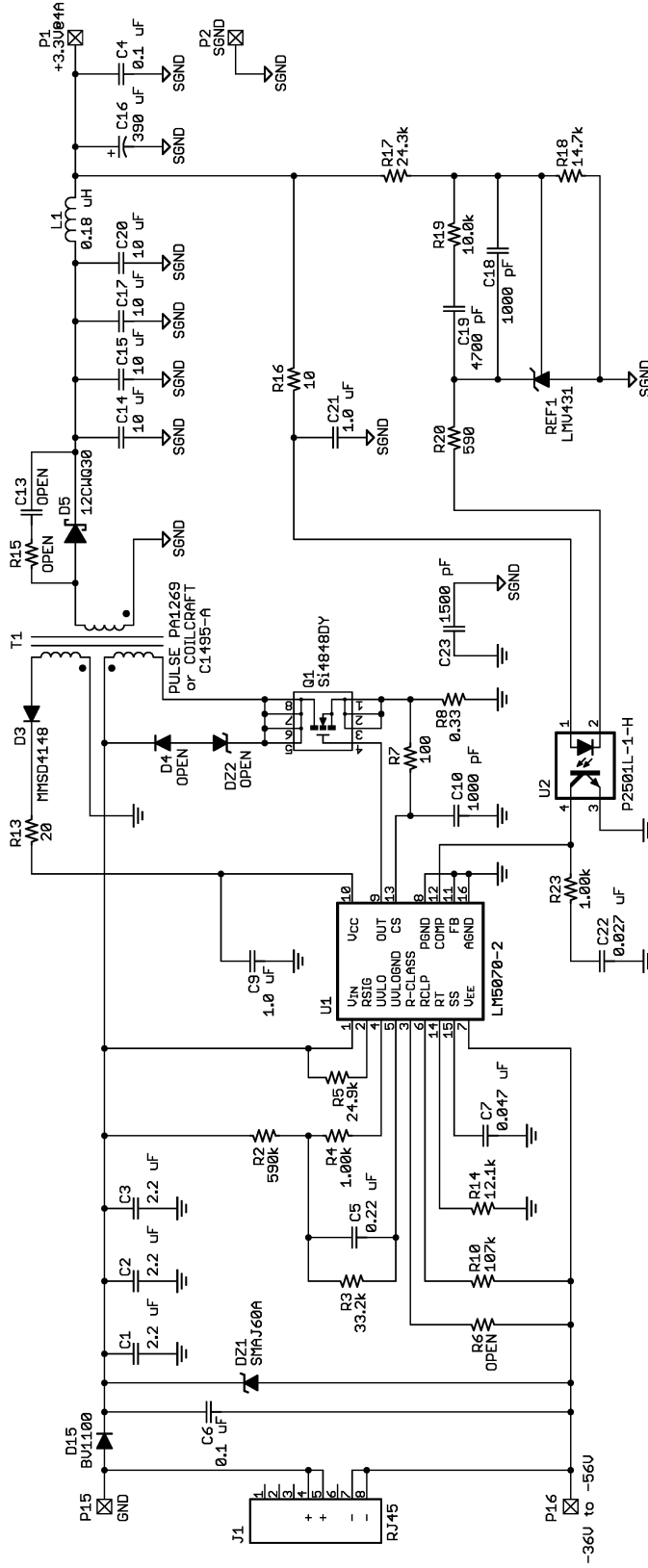
The LM5070 provides an internal gate driver (OUT), which can source and sink a peak current of 800mA. The LM5070 is available in two duty cycle limit options. The maximum output duty cycle is typically 80% for the LM5070-80 option and precisely equal to 50% for the LM5070-50 option. The maximum duty cycle function for the LM5070-50 is accomplished with an internal toggle flip-flop which ensures an accurate duty cycle limit. The internal oscillator frequency of the LM5070-50 is therefore twice the operating frequency of the PWM controller (OUT pin).

The 80% maximum duty cycle limit of the LM5070-80 is determined by the internal oscillator and varies more than the 50% limit of the LM5070-50. For the LM5070-80, the internal oscillator frequency and the operational frequency of the PWM controller are equal.

## Thermal Protection

Internal thermal shutdown circuitry is provided to protect the integrated circuit in the event the maximum junction temperature is exceeded. This feature prevents catastrophic failures from accidental device overheating. When activated, typically at 165 degrees Celsius, the controller is forced into a low power standby state, disabling the output driver, bias regulator, main interface pass MOSFET, and classification regulator if enabled. After the temperature is reduced (typical hysteresis = 25°C) the  $V_{CC}$  regulator will be enabled and a softstart sequence initiated.

# LM5070 Application Circuit – Isolated Output with Diode Rectification



20120019

FIGURE 4.

# LM5070 Application Circuit – Isolated Output with Synchronous Rectification

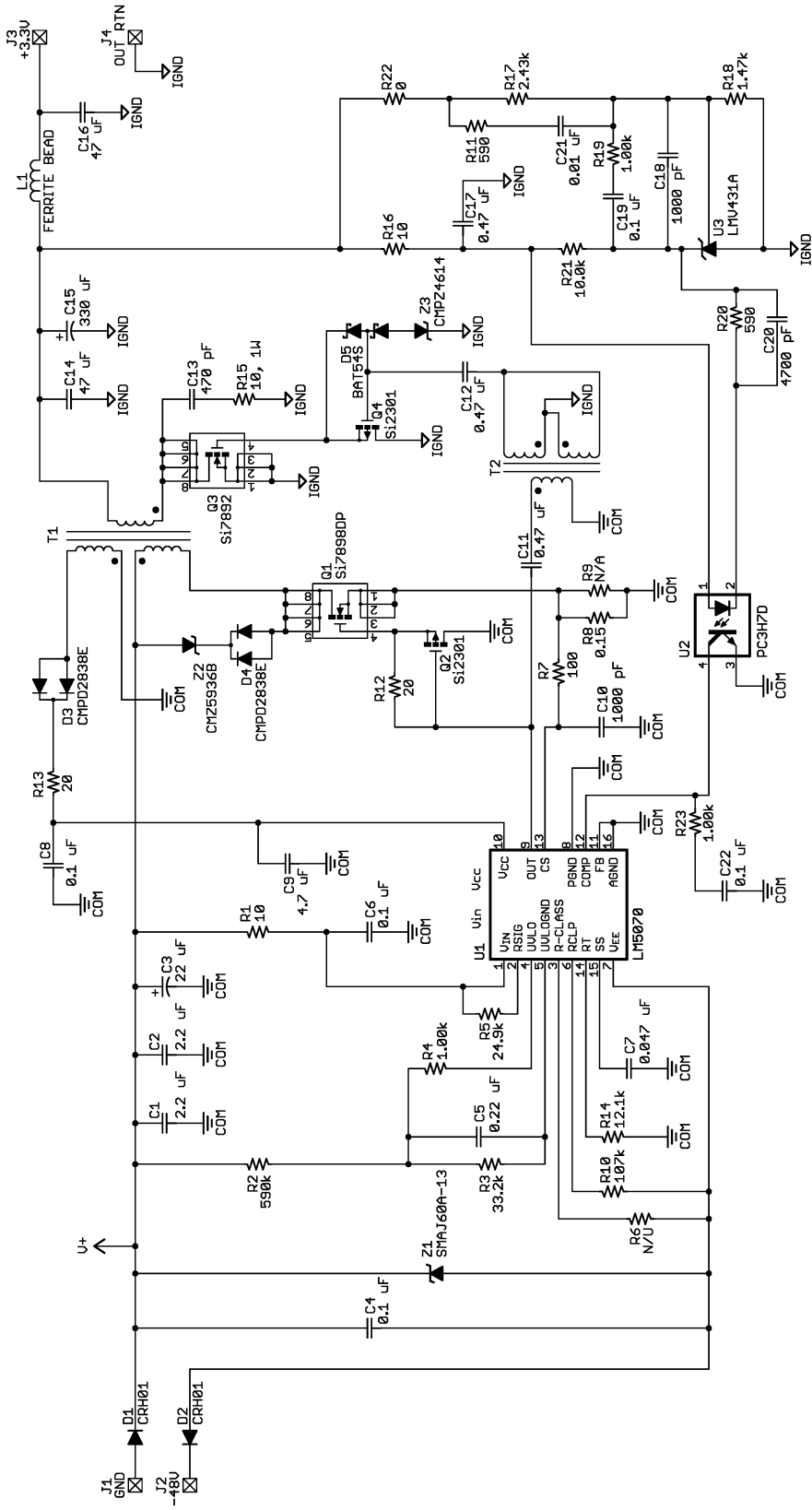
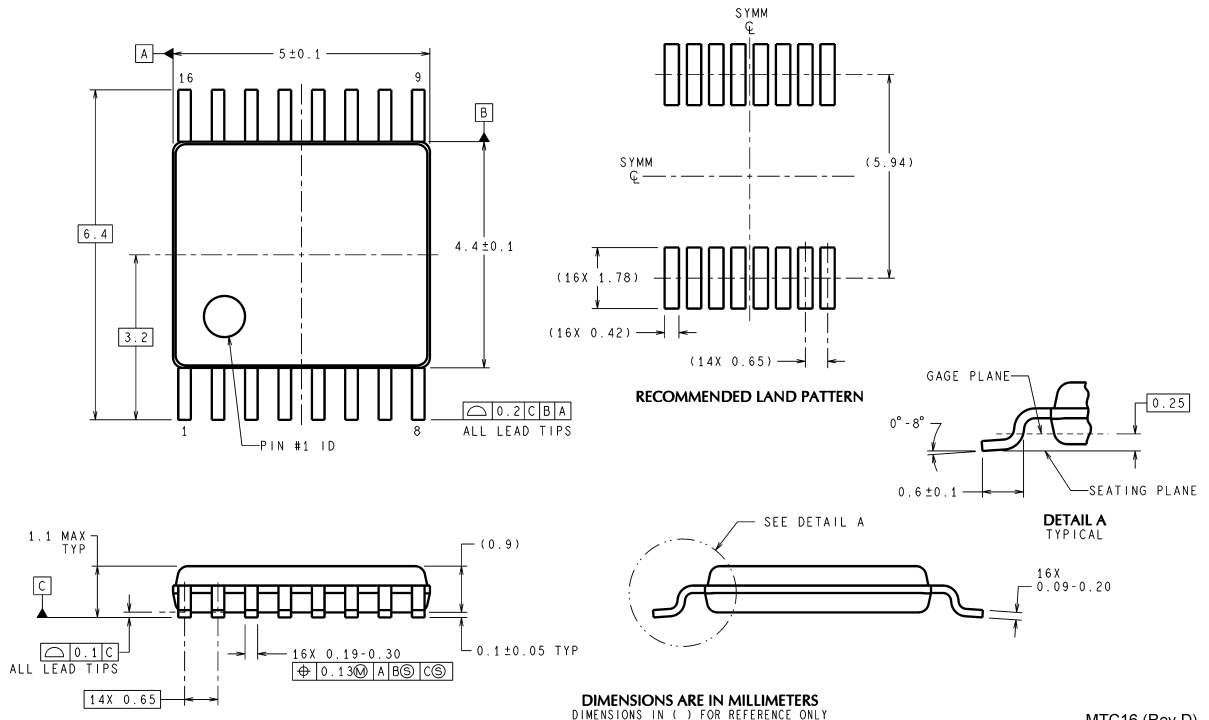


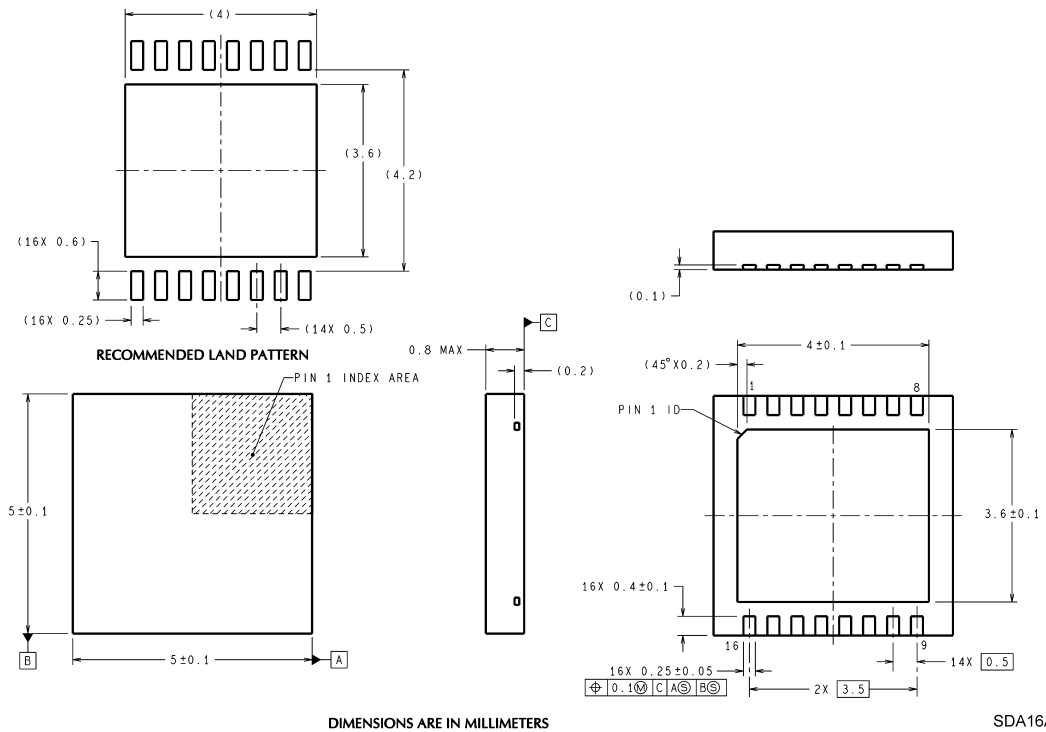
FIGURE 5.

**Physical Dimensions** inches (millimeters) unless otherwise noted



MTC16 (Rev D)

**Package Number MTC16**



SDA16A (Rev A)

**Package Number SDA16A**



## Notes

National does not assume any responsibility for use of any circuitry described, no circuit patent licenses are implied and National reserves the right at any time without notice to change said circuitry and specifications.

For the most current product information visit us at [www.national.com](http://www.national.com).

### **LIFE SUPPORT POLICY**

NATIONAL'S PRODUCTS ARE NOT AUTHORIZED FOR USE AS CRITICAL COMPONENTS IN LIFE SUPPORT DEVICES OR SYSTEMS WITHOUT THE EXPRESS WRITTEN APPROVAL OF THE PRESIDENT AND GENERAL COUNSEL OF NATIONAL SEMICONDUCTOR CORPORATION. As used herein:

- |  |   |
|--|---|
| <p>1. Life support devices or systems are devices or systems which, (a) are intended for surgical implant into the body, or (b) support or sustain life, and whose failure to perform when properly used in accordance with instructions for use provided in the labeling, can be reasonably expected to result in a significant injury to the user.</p> | <p>2. A critical component is any component of a life support device or system whose failure to perform can be reasonably expected to cause the failure of the life support device or system, or to affect its safety or effectiveness.</p> |
|--|---|

### **BANNED SUBSTANCE COMPLIANCE**

National Semiconductor certifies that the products and packing materials meet the provisions of the Customer Products Stewardship Specification (CSP-9-111C2) and the Banned Substances and Materials of Interest Specification (CSP-9-111S2) and contain no "Banned Substances" as defined in CSP-9-111S2.



**National Semiconductor**  
**Americas Customer**  
**Support Center**  
 Email: [new.feedback@nsc.com](mailto:new.feedback@nsc.com)  
 Tel: 1-800-272-9959

**National Semiconductor**  
**Europe Customer Support Center**  
 Fax: +49 (0) 180-530 85 86  
 Email: [europe.support@nsc.com](mailto:europe.support@nsc.com)  
 Deutsch Tel: +49 (0) 69 9508 6208  
 English Tel: +44 (0) 870 24 0 2171  
 Français Tel: +33 (0) 1 41 91 8790

**National Semiconductor**  
**Asia Pacific Customer**  
**Support Center**  
 Email: [ap.support@nsc.com](mailto:ap.support@nsc.com)

**National Semiconductor**  
**Japan Customer Support Center**  
 Fax: 81-3-5639-7507  
 Email: [jpn.feedback@nsc.com](mailto:jpn.feedback@nsc.com)  
 Tel: 81-3-5639-7560