



SCSI Bus Expander Family
SYM53C120 SCSI Bus Expander
SYM20101 Extender Board
SYM20102 Converter Board
Supports Single-Ended(SE)-to-SE or
(SE)-to-Differential Modes

PRELIMINARY
Data Manual and User's Guide
Version 3.0



The product described in this publication is a licensed product of Symbios Logic.

TolerANT is a registered trademark of Symbios Logic. Wolfpack is a registered trademark of Microsoft Corporation.

It is the policy of Symbios Logic to improve products as new technology, components, software, and firmware become available. Symbios Logic, therefore, reserves the right to change specifications without notice.

The products in this manual are not intended for use in life-support appliances, devices, or systems. Use of these products in such applications without the written consent of the appropriate Symbios Logic officer is prohibited.

Copyright ©1996-1997
By Symbios Logic
Fort Collins, Colorado U.S.A.
All Rights Reserved
Printed in U.S.A.

We use comments from our readers to improve Symbios Logic product literature.
Please e-mail any comments regarding technical documentation to pubs@symbios.com.

Preface

This manual provides description and electrical characteristics of the SYM53C120 SCSI Bus Expander chip which supports single-ended to single-end SCSI bus expansion (Extender) or single-ended to differential SCSI bus conversion (Converter). This manual also provides a description of and how to install the SYM20101 Extender board and the SYM20102 Converter board. Both boards use the SYM53C120 SCSI Bus Expander chip.

This manual assumes some prior knowledge of current and proposed SCSI standards. For background information, please contact:

ANSI

11 West 42nd Street
New York, NY 10036
(212) 642-4900
Ask for document number X3.131-1994 (SCSI-2) (SCSI-3)

Global Engineering Documents

15 Inverness Way East
Englewood, CO 80112
(800) 854-7179 or (303) 792-2181 (outside U.S.)
Ask for document number X3.131-1994 (SCSI-2) or X3.253 (*SCSI-3 Parallel Interface*)

ENDL Publications

14426 Black Walnut Court
Saratoga, CA 95070
(408) 867-6642
Document names: *SCSI Bench Reference*, *SCSI Encyclopedia*

Prentice Hall

Englewood Cliffs, NJ 07632
(201) 767-5937
Ask for document number ISBN 0-13-796855-8, *SCSI: Understanding the Small Computer System Interface*

Symbios Logic Electronic Bulletin Board

(719) 573-3562

SCSI Electronic Bulletin Board

(719) 574-0424

Symbios Logic World Wide Web

<http://www.symbios.com>
(See EPI (Enhanced Parallel Interface) Specification for expander configurations)

Revision Record

Page No.	Date	Version	Remarks
All	10/96	1.0	Preliminary Data Manual
All	11/96	2.0	Complete Data Manual
All	1/97	2.1	Changed DIFF_MODE to DIFF_MODE/ and modified SCSI Interface Timings
All	2/97	2.2	Title changed to SYM53C120 SCSI Bus Expander. DC Characteristics, TolerANT Technology Electrical Characteristics and Differential Wiring Diagram changed.
Manual Title	6/97	3.0	This manual now includes the SYM2010x boards
4-1, 2, 3, 4, and 8			Timing changes in Chapter 4
All of Chapter 5			Added Chapter 5, SYM2010x SCSI Boards

Contents

Chapter 1

Introduction

General Description	1-1
Features	1-1
Application Examples	1-2
Scalable Device Connectivity	1-2
SCSI Bus Electrical Isolation	1-4

Chapter 2

Functional Description

Interface Signal Descriptions	2-1
SCSI A-Side and B-Side Single-Ended Control Blocks	2-1
Re-timing Logic	2-2
Precision Delay Control	2-2
State Machine Control	2-2
Differential Control	2-2
Signal Descriptions	2-2
Data and Parity	2-2
Busy (BSY) Control	2-3
Request (REQ)/Acknowledge (ACK) Control	2-3
Reset (RST) Control	2-4
Control/Data (C/D), Input/Output (I/O), Message (MSG) and Attention (ATN) Controls	2-4
Select (SEL) Control	2-4
Differential Direction Controls	2-4
Differential Mode (DIFF_MODE/)	2-5
Differential Sense (DIFF_SENSE)	2-5
Clock (CLOCK)	2-5
Chip Reset (RESET/)	2-5
Warm Start Enable and Transfer Active (WS_ENABLE and XFER_ACTIVE)	2-6

Chapter 3

Signal Descriptions

SYM53C120 Pin Diagram	3-1
SYM53C120 Signal Grouping	3-2
SCSI A Interface Pins	3-3
SCSI B Single-ended Interface Pins	3-4
SCSI B Differential Interface Pins	3-5
Control Interface Pins	3-6

Contents

Chapter 4**Electrical Characteristics**

DC Characteristics	4-1
TolerANT Technology Electrical Characteristics	4-4
AC Characteristics	4-7
SCSI Interface Timings	4-8

Chapter 5**SYM20101/2 Boards**

SYM20101/2 Circuit Board Description	5-1
Features	5-1
Physical Characteristics	5-1
Electrical Characteristics	5-1
Thermal, Atmospheric Characteristics	5-2
Electromagnetic Compliance	5-2
Safety Characteristics	5-2
Performance Characteristics	5-2
Compatibility	5-2
Operational Characteristics	5-2
SYM20101 Extender Board	5-3
Connectors	5-3
Physical Characteristics	5-4
Board Mounting	5-4
Board Connectors	5-4
Power Connector J1	5-4
SCSI Connectors J2 and J3	5-4
External Termination Control Connector J4	5-5
LEDs and Connector J4	5-5
SYM20101 Extender Board Installation Instructions	5-6
Software Requirements	5-6
Mount Board	5-6
Set Switches	5-6
Connect Cables	5-6
SYM20102 Converter Board	5-7
Connectors	5-7
Physical Characteristics	5-8
Board Mounting	5-8
Board Connectors	5-8
Power Connector J1	5-8
SCSI Connectors J2 and J3	5-8
External Termination Control Connector J4	5-9
LEDs and Connector J4	5-9
SYM20102 Converter Board Installation Instructions	5-10
Software Requirements	5-10
Mount Board	5-10
Set Switches	5-10
Connect Cables	5-10

Appendix A

Mechanical Drawings

SYM53C120 Mechanical Drawing A-1

Appendix B

Differential Wiring Diagram

SYM53C120 Differential Wiring Diagram B-1

Glossary

Glossary Glossary-1

Index

Index Index-1

Chapter 1 Introduction

General Description

The SYM53C120 SCSI Bus Expander is a single chip solution allowing the extension of device connectivity and/or cable length limits of the SCSI bus. The SYM53C120 operates as a SCSI bus expander when multiple single-ended to single-ended cables are connected together while being electrically isolated from each other. The SYM53C120 also operates as a SCSI bus converter when single-ended to differential cables are connected together while being electrically isolated from each other.

The SYM53C120 operates in two modes: single-ended to single-ended (Extender Mode) or single-ended to differential (Converter Mode). For applications requiring SE to Low Voltage Differential (LVD), use the SYM53C141 Bus Expander. Table 1-1 shows all modes of operation.

Table 1-1: Mode of Operation

Symbios Product	Extender	Converter
SYM53C120	SE to SE	SE to HVD
SYM5353C141	SE to SE	SE to LVD

In both SCSI Bus Extender and Converter modes, cable segments are electrically isolated from each other. This feature maintains the signal integrity of each cable segment. For bus isolation applications, the SYM53C120 is ideally suited for the SYM53C875 Ultra SCSI controller.

The SYM53C120 provides additional control capability through the pin level electrical isolation mode. This feature permits logical disconnection of both the A-side bus and the B-side bus without disrupting SCSI transfers currently in progress. For example, devices on the logically disconnected B-side can be swapped out while the A-side bus remains active.

The SYM53C120 is based upon bus expander technology resulting in some signal filtering and re-timing to maintain signal skew budgets. In addition, the SYM53C120 has no programmable registers, therefore, it does not require any software.

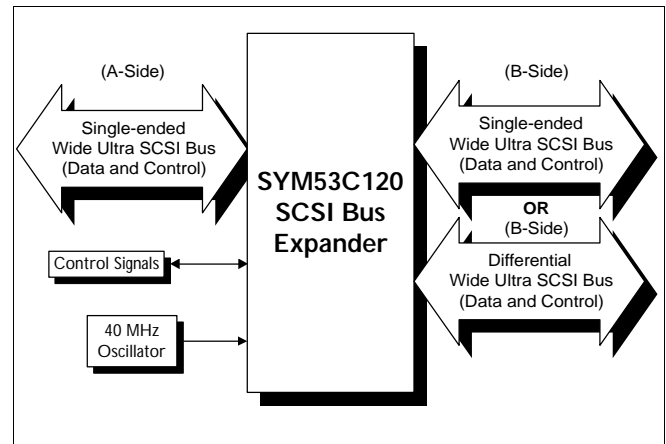


Figure 1-1: SYM53C120 SCSI Bus Device

Features

- Accepts any asynchronous or synchronous data transfer rates up to the 40 MB/s rate of Wide Ultra SCSI
- Targets and initiators can connect to either the SCSI A- or SCSI B-side of the SYM53C120
- Does not consume a SCSI ID
- Can cascade up to three SYM53C120s in series
- Requires 40 MHz input clock
- Supports two modes of operation
 - Single-ended to Single-ended Mode
 - Single-ended to Differential Mode (with external transceivers)
- Connects two wide and/or narrow SCSI buses

- Extends Ultra SCSI cable lengths in certain applications
- Extends total number of connected Ultra SCSI devices supported
- Supports TolerANT® active negation technology
- Complete support for SCSI-1, -2, and -3
- Completely independent of software
- Pin level SCSI bus disable mode
- Packaged in a 128 PQFP

The SYM53C120 SCSI Bus Expander works with Symbios Logic's extensive SYM53C7xx and SYM53C8xx family of SCSI products. It also works with other industry SCSI controllers, disk drives, and SCSI peripherals. Advantages of the SYM53C120 are that it does not require any software or consume a SCSI ID. This allows for easy integration and maximum bus utilization. Adding the SYM53C120 to a SCSI bus environment creates a low risk solution for applications requiring scalable device connectivity and SCSI bus electrical isolation.

Figure 1-1 illustrates the connectivity of the SYM53C120 SCSI Bus Expander device. A SCSI single-ended(SE) bus connects directly to the SCSI A-side. The interface signals are SCSI bus compatible driver and receiver signals with no internal termination. The SCSI B-side has the single-ended capable driver and receiver and also provides the individual driver controls

for external differential transceivers.

The SYM53C120 provides additional control capability through the pin level SCSI bus disable mode. This feature allows logical disconnection of both the A-side bus and B-side bus without disrupting transfers currently in progress. For example, this feature allows electrical disconnection of devices on the B-side to be swapped out while the A-side bus remains active.

As with all of Symbios Logic's SYM53C7xx and SYM53C8xx SCSI products, the SYM53C120 features TolerANT® technology. The benefits of TolerANT include increased immunity to noise, better performance due to balanced duty cycles, and improved SCSI transfer rates.

Application Examples

The following examples are typical applications for the SYM53C120 SCSI Bus Expander. Many other configurations are possible and are only limited by the imagination of the system architect.

Scalable Device Connectivity

Figure 1-2 illustrates how to use the SYM53C120 to increase the number of devices to 15 on a 3 meter Ultra SCSI bus cable.

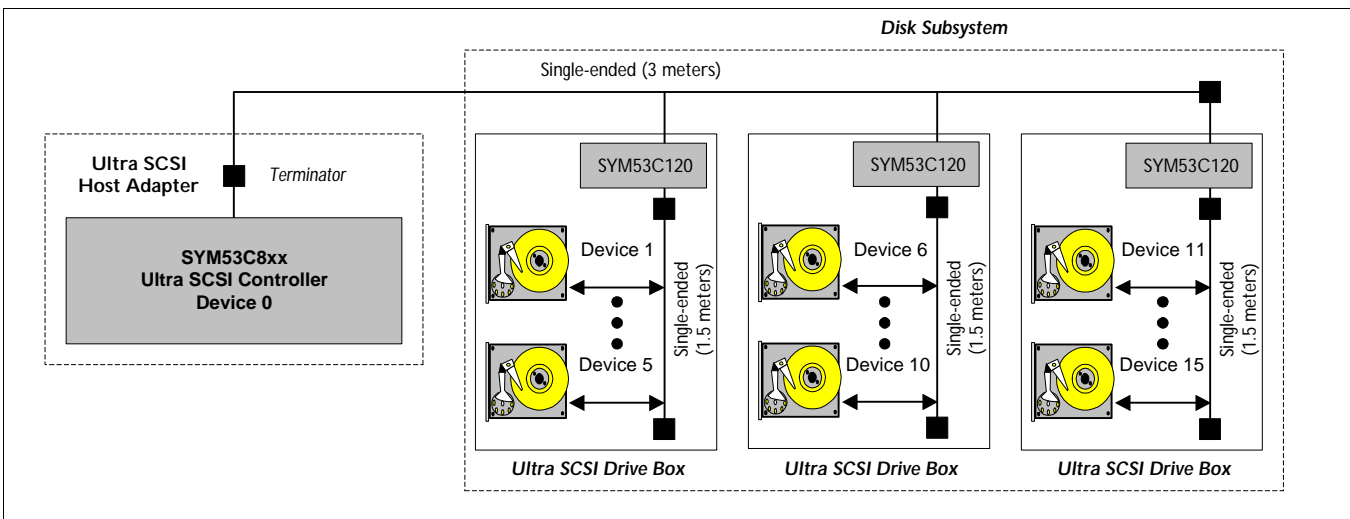


Figure 1-2: SCSI Extender Application (Single-Ended to Single-Ended Mode of Operation)

Figure 1-3 illustrates both single-ended to single-ended, and single-ended to differential modes of the

SYM53C120 to create a redundant remote storage configuration.

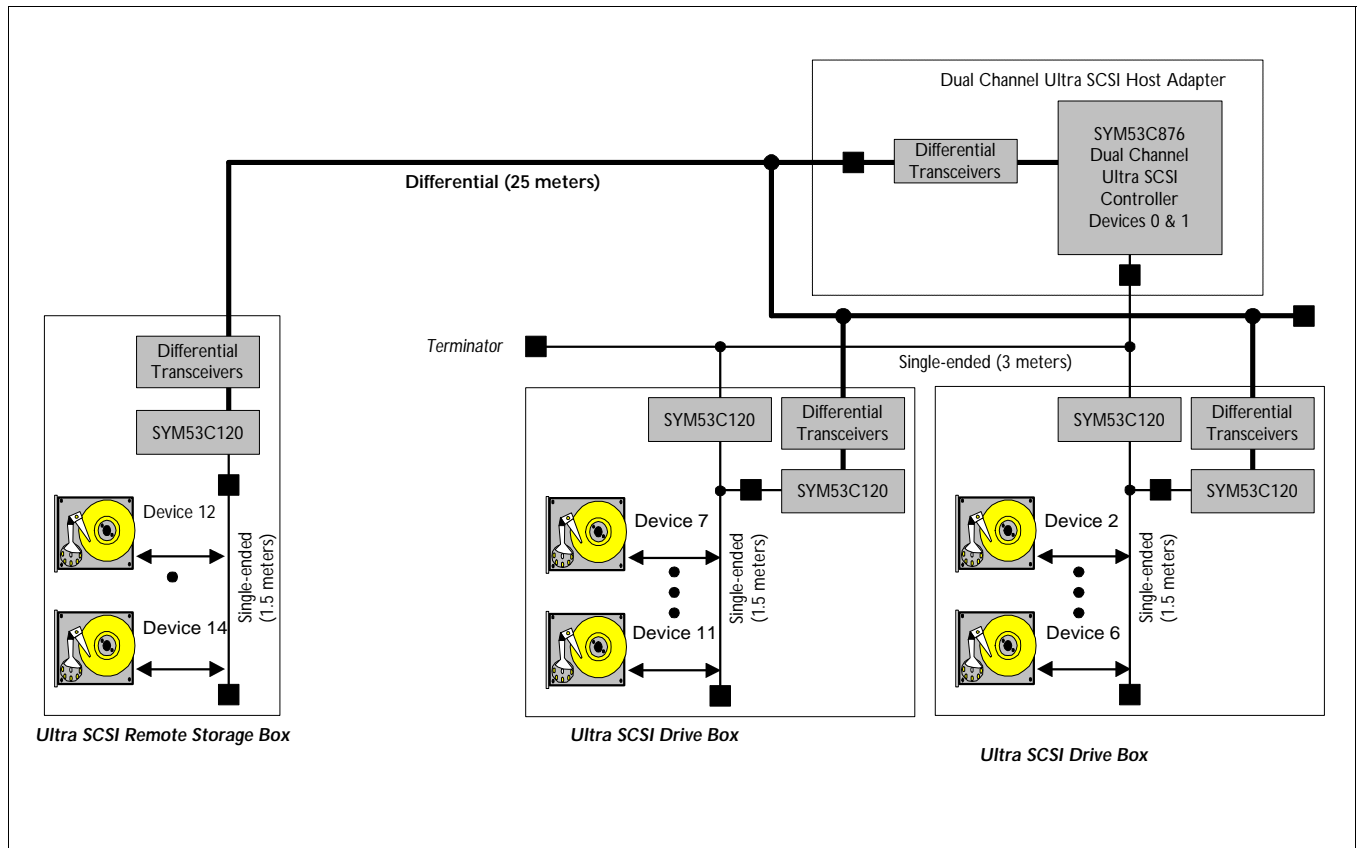


Figure 1-3: SCSI Extender or Converter Application (Single-Ended to Differential Mode of Operation)

SCSI Bus Electrical Isolation

Figure 1-4 illustrates how to use the SYM53C120 to electrically isolate an external SCSI bus from an internal SCSI bus. This configuration ensures externally attached peripherals will not affect the operation of internal peripherals.

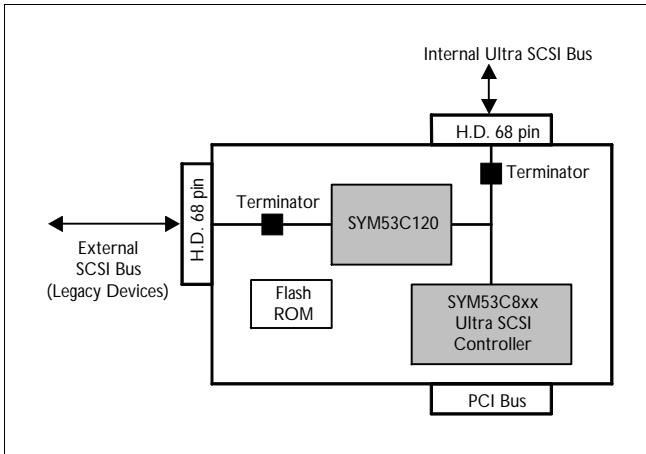


Figure 1-4: SCSI Bus Electrical Isolation

Chapter 2

Functional Description

Interface Signal Descriptions

The SYM53C120 has no programmable registers; therefore, no software requirements. SCSI control signals control all SYM53C120 functions. This chapter describes all signals, their groupings and functions. Following is a diagram of the SYM53C120 device divided into the following blocks:

- SCSI A-Side and B-Side Single-Ended Control Blocks that contain TolerANT® Drivers and Receivers
- Re-timing Circuit
- Precision Delay Control
- State Machine Control
- Differential Control

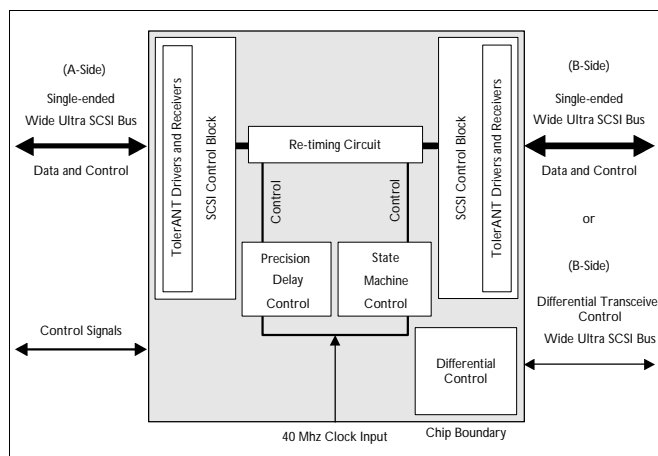


Figure 2-1: SYM53C120 Block Diagram

In its simplest form, the SYM53C120 passes data and parity from a source bus to a load bus. The side asserting, de-asserting or releasing the SCSI signals is the source side. The simplest model is that the SYM53C120 is just pieces of wire that allow corresponding SCSI signals to flow from side to side. In reality, the

SYM53C120 needs to know which side is driving the signals so it can enable the proper drivers to pass the signals along. In addition, the SYM53C120 does some signal re-timing to maintain the signal skew budget from source bus to load bus as if the source was a local bus member.

SCSI A-Side and B-Side Single-Ended Control Blocks

In the single-ended to single-ended mode, the SCSI A-side pins are connected internally to the corresponding SCSI B-side pins, forming bi-directional connections to the SCSI bus.

The SCSI A-side and B-side single-ended control blocks connect to both targets and initiators and accept any asynchronous or synchronous data transfer rates up to the 40 MB/s rate of Wide Ultra SCSI. TolerANT technology is part of the SCSI A-side and B-side single-ended control blocks.

TolerANT® Drivers and Receivers

The SYM53C120 features TolerANT technology, which includes active negation on the SCSI drivers and input signal filtering on the SCSI receivers. Active negation causes the SCSI Request, Acknowledge, Data, and Parity signals to be actively driven high rather than passively pulled up by terminators.

TolerANT receiver technology improves data integrity in unreliable cabling environments, where other devices would be subject to data corruption. TolerANT receivers filter the SCSI bus signals to eliminate unwanted transitions, without the long signal delay associated with RC-type input filters. This improved driver and receiver technology helps eliminate double clocking of data, the single biggest reliability issue with SCSI operations.

The benefits of TolerANT include increased immunity to noise on the de-asserting signal edge, better performance due to balanced duty cycles, and improved SCSI transfer rates. In addition, TolerANT SCSI devices prevent glitches on the SCSI bus at power-up or power-down, so other devices on the bus are also protected from data corruption.

Re-timing Logic

The SCSI signals, as they propagate from one side of the SYM53C120 to the other side, are processed by logic that re-times the bus signals as needed to guarantee or improve required SCSI timings. This logic is governed by the state machine controls that keep track of SCSI phases, the location of initiator and target devices, and various timing functions. In addition, this logic contains numerous precision delay elements that are periodically calibrated by the precision delay control block in order to guarantee specified timings such as output pulse widths, setup and hold times, and other timings.

Precision Delay Control

The precision delay control block provides calibration information to the precision delay elements in the re-timing logic block in order to maintain precise timings as signals propagate through the device. As the SYM53C120's operating conditions, such as voltage and temperature, vary over time, the precision delay control block will periodically update the delay settings in the re-timing logic to maintain constant and precise control over bus timings.

State Machine Control

The state machine controls keep track of the SCSI bus phase protocol and other internal operating conditions. This block provides signals to the re-timing logic that identifies how to properly handle SCSI bus signal re-timing and protocol, based on observed bus conditions.

Differential Control

In the SCSI converter (single-ended to differential) mode, the SCSI A-side pins are connected internally to the corresponding SCSI B-side differential pins, forming bi-directional connections to the SCSI bus.

Signal Descriptions

Figure 2-2 illustrates the signal groupings of the SYM53C120. A description of the signals follows but for specific signal timings, see *AC Characteristics* in Chapter 4, *Electrical Characteristics*.

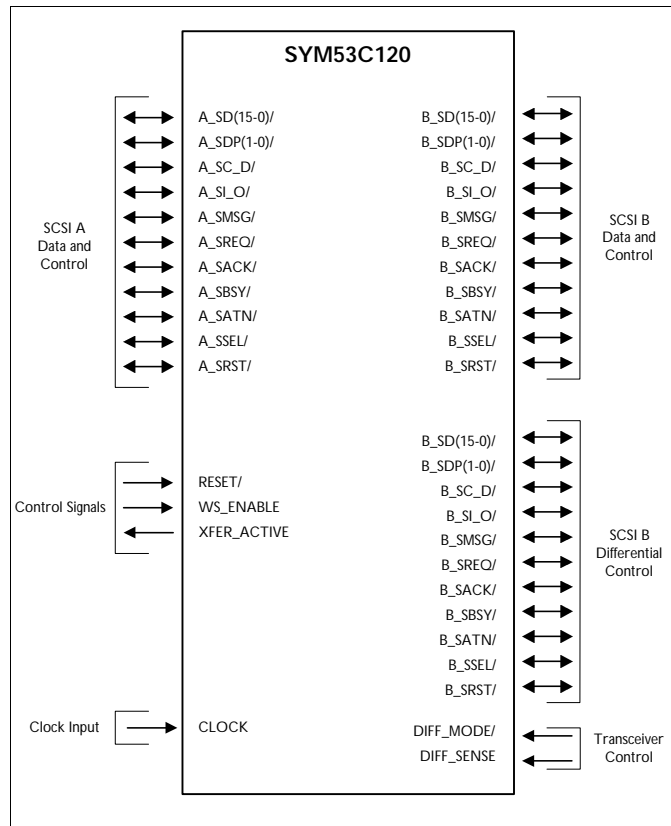


Figure 2-2: SYM53C120 Signal Grouping

Data and Parity

The signals named A_SD/(15-0, P0, P1) are the data and parity signals from the A-side and B_SD/(15-0, P0, P1) are the data and parity signals from the B-side of the SYM53C120. These signals are sent and received from the SYM53C120 via SCSI compatible driver and

receiver logic designed into the SYM53C120 interface. This logic provides the necessary drive, sense thresholds, and input hysteresis to function correctly in a SCSI bus environment as defined in ANSI Standard for SCSI-1, SCSI-2 and SCSI-3.

The SYM53C120 receives data and parity signals and passes them from the source bus to the load bus and provides any necessary edge shifting to guarantee the skew budget for the load bus. Either side of the SYM53C120 can be the source bus or the load bus. The side asserting, de-asserting or releasing the SCSI signals is the source side. The following steps are a part of the SYM53C120 data path.

- Asserted data is accepted from the receiver logic as soon as it is received. Once the clock signal has been received, data is gated from the receiver latch.
- The path is next tested to ensure data was not driven by the SYM53C120. Valid data needs to be generated by another node on the source bus to be passed through the SYM53C120 to the load bus.
- The data is then leading edge filtered. The assertion edge is held for a specified time to prevent any signal bounce. The duration is then controlled by the input signal.
- The next stage is a latch that samples the signal. This provides a stable data window for the load bus.
- The final stage develops pull-up and pull-down controls for the SCSI I/O logic, including tri-state controls for the pull-up.
- A parallel function ensures that bus (transmission line) recovery is ensured for a specified time after the last signal de-assertion on each signal line.

Busy (BSY) Control

A_SBSY/ and B_SBSY/ signals are propagated from the source bus to the load bus. These signals go through the following processing.

- The path is tested to be sure the data was not driven by the SYM53C120. Because valid data needs to be generated by another node on the source bus to be passed through the SYM53C120 to the load bus.
- The data is then leading edge filtered. The assertion

edge is held for a specified time to prevent any signal bounce. The duration is then controlled by the input signal.

- The next stage has two modes. One mode simply passes data through. The other mode behaves like a large filter. The mode is selected by the current state in the SYM53C120 state machine which tracks SCSI phases. The large filter mode is used where the Busy (BSY) and Select (SEL) sources may switch from side to side. This output is then fed to the output driver which is a pull-down open collector only.
- A parallel function ensures that bus (transmission line) recovery is ensured for a specified time after the last signal de-assertion on each signal line.

Request (REQ)/Acknowledge (ACK) Control

A_SACK/, B_SACK/, A_SREQ/ and B_SREQ/ are clock and control signals. Their signal paths contain controls to guarantee minimum pulse width, filter edges, and does some re-timing when used as data transfer clocks. Each signal, REQ and ACK, has paths from A to B and B to A. The received signal goes through the following processing steps before being sent to the opposite bus.

- The asserted input signal is sensed and forwarded to the next stage if the direction control permits it. The direction controls are developed from state machines that are driven by the sequence of bus control signals.
- The signal must then pass the test of not being generated by the SYM53C120.
- In the A to B bus direction, the next stage is a leading edge filter. This ensures that the output will not switch during the specified hold time after the leading edge. The duration of the input signal determines the duration of the output after the hold time. In the B to A direction, the circuit guarantees a minimum pulse.
- The next stage passes the signal if it is not a data clock. If REQ or ACK is a data clock, it delays the leading edge to improve data output setup times. The duration is again controlled by the input signal.
- The following stage is a trailing edge signal filter.

When the signal de-asserts, the filter will not permit any signal bounce. The output signal de-asserts at the first de-asserted edge of the input signal.

- The last stage develops pull-up and pull-down signals with drive and tri-state control.
- A parallel function ensures that bus (transmission line) recovery is ensured for a specified time after the last signal de-assertion on each signal line.

Reset (RST) Control

A_SRST/ and B_SRST/ are also passed from the source to the load bus. These reset signals are processed in the following steps.

- The input signal is blocked if it is already being driven by the SYM53C120.
- The next stage is a leading edge filter. This ensures that the output will not switch for a specified time after the leading edge. The duration of the input signal then determines the duration of the output.
- A parallel function ensures that bus (transmission line) recovery is ensured for a specified time after the last signal de-assertion on each signal line.

Control/Data (C/D), Input/Output (I/O), Message (MSG) and Attention (ATN) Controls

A_SCD/, A_SIO/, A_SMSG/, A_SATN/, B_SCD/, B_SIO/, B_SMSG/ and B_SATN/ are control signals that have the following processing steps.

- The input signal is blocked if it is being driven by the SYM53C120.
- The next stage is a leading edge filter. This ensures that the output will not switch for a specified time after the leading edge. The duration of the input signal then determines the duration of the output.
- The final stage develops pull-up and pull-down controls for the SCSI I/O logic, including tri-state controls for the pull-up.
- A parallel function ensures that bus (transmission line) recovery is ensured for a specified time after the last signal de-assertion on each signal line.

Select (SEL) Control

A_SSEL/ and B_SSEL/ are control signals used during bus arbitration and selection. Whichever bus asserts SEL propagates it to the other side. If both signals are asserted at the same time, the A-side receives SEL and sends it to the B-side. The signal goes through the following processing steps.

- The input signal is blocked if it is being driven by the SYM53C120.
- The next stage is a leading edge filter. This ensures that the output will not switch for a specified time after the leading edge. The duration of the input signal then determines the duration of the output.
- A parallel function ensures that bus (transmission line) recovery is ensured for a specified time after the last signal de-assertion on each signal line.

Differential Direction Controls

B_SDIR(15-0, P0, P1), B_BSYDIR, B_SELDIR, B_CD_DIR, B_IO_DIR, B_MSGDIR, B_REQDIR, B_ACKDIR, B_ATNDIR and B_RSTDIR are all differential direction control signals on the B-side of the SYM53C120. When the B-side is used in single-ended mode, these signals are not used and should be left unconnected. When the B-side is used in differential mode, these signals are used to control the direction of each external differential transceiver on the B-side interface.

Every B-side signal requires a driver enable control to allow for all the possible signal conditions including SCAM support. The data bits require individual controls for the selection phase of SCSI bus protocol.

Table 2-1: Direction Control Signals (B_SDIR(15-0, P0, P1), B_BSYDIR, B_SELDIR, B_CD_DIR, B_IO_DIR, B_MSGDIR, B_REQDIR, B_ACKDIR, B_ATNDIR and B_RSTDIR) Polarities

Signal Level	State	Effect
High = 1	Asserted	Drive SYM53C120 signals onto Bus B
Low = 0	De-asserted	Input Bus B signals to SYM53C120

Differential Mode (DIFF_MODE/)

This input informs the SYM53C120 that external differential transceivers are used in this particular application. In addition, this input causes internal logic to adjust for external differential control.

Table 2-2: DIFF_MODE/ Control Signal Polarity

Signal Level	State	Effect
Low = 0	Asserted	Differential Signals and Controls are enabled from the SYM53C120
High = 1	De-asserted	SYM53C120 Bus B drivers function in single-ended mode

Differential Sense (DIFF_SENSE)

This input signal determines if a single-ended device is placed on the differential bus. If a single-ended source is detected, the differential B-side is disabled and no differential B-side signals are driven. This mechanism prevents potential damage to the differential transceivers.

Table 2-3: DIFF_SENSE Control Signal Polarity

Signal Level	State	Effect
High = 1	Asserted	The B-side drivers and receivers are enabled
Low = 0	De-asserted	B-side Drivers and Receivers are disabled

Clock (CLOCK)

This is the 40 MHz oscillator input to the SYM53C120. This is the clock source for protocol control state machines and timing generation logic. This clock is not used in any bus signal transfer paths.

Chip Reset (RESET/)

This general chip reset is intended to force all the internal elements of the SYM53C120 into a known state. This will bring all state machines to an idle state and force all controls to a passive state. The minimum RESET input asserted pulse width is 100 nanoseconds.

The SYM53C120 also contains an internal Power On Reset (POR) function that is wire ORed with the chip reset pin which eliminates the need for an external chip reset.

Table 2-4: RESET/ Control Signal Polarity

Signal Level	State	Effect
Low = 0	Asserted	Reset is forced to all internal SYM53C120 elements
High = 1	De-asserted	SYM53C120 is not in a forced reset state

**Warm Start Enable and Transfer Active
 (WS_ENABLE and XFER_ACTIVE)**

These two pins provide additional control capability for the SYM53C120. They allow both the SCSI A-side bus and the SCSI B-side bus to be logically disconnected. The XFER_ACTIVE output changes state only with the detection of a SCSI bus free state; this guarantees that transfers currently in progress will not be disrupted by the assertion or de-assertion of the WS_ENABLE pin.

Assertion or de-assertion of the WS_ENABLE pin may not be effective immediately since it may take several milliseconds for a bus free state to be detected and then indicated by a change in state of the XFER_ACTIVE output signal.

Table 2-5: WS_ENABLE Signal Polarity

Signal Level	State	Effect
High = 1	Asserted	The SYM53C120 will start transfers through the device once the next SCSI bus free is detected until de-assertion.
Low = 0	De-asserted	The SYM53C120 will stop transfers through the device when the next SCSI bus free is detected.

Table 2-6: XFER_ACTIVE Signal Polarity

Signal Level	State	Effect
High = 1	Asserted	Normal operation, transfers through the SYM53C120 are enabled
Low = 0	De-asserted	The SYM53C120 has detected a bus free phase while WS_ENABLE is low disabling transfers through the device.

Chapter 3 Signal Descriptions

The SYM53C120 is packaged in a 128 pin Plastic Quad Flat Pack (PQFP). Detailed descriptions follow, grouped by function. The decoupling capacitor arrangement shown below is recommended to maximize the benefits of the internal split ground system. Capacitor values should be between 0.01 and 0.1 uF.

SYM53C120 Pin Diagram

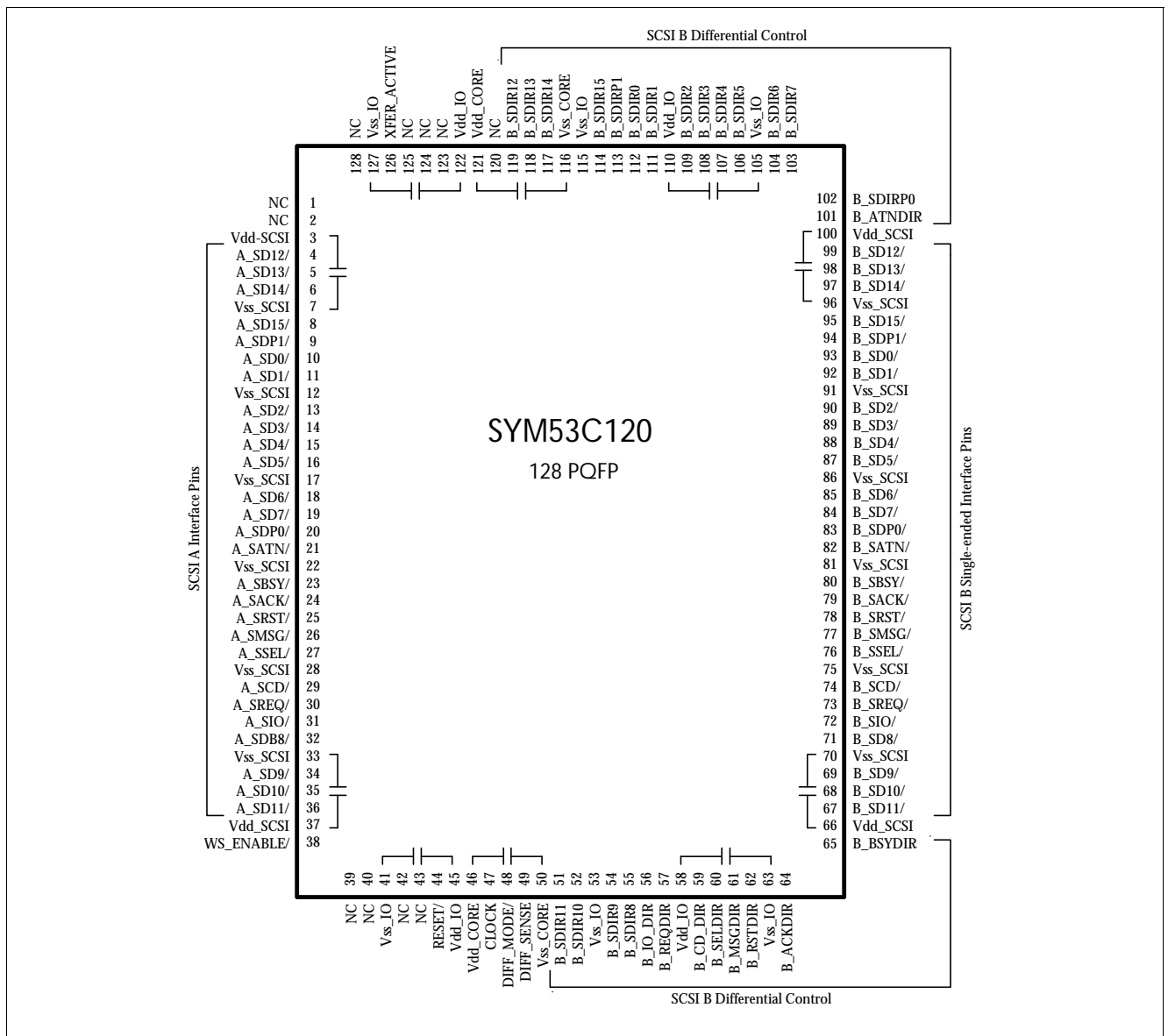


Figure 3-1: SYM53C120 Pin Diagram

SYM53C120 Signal Grouping

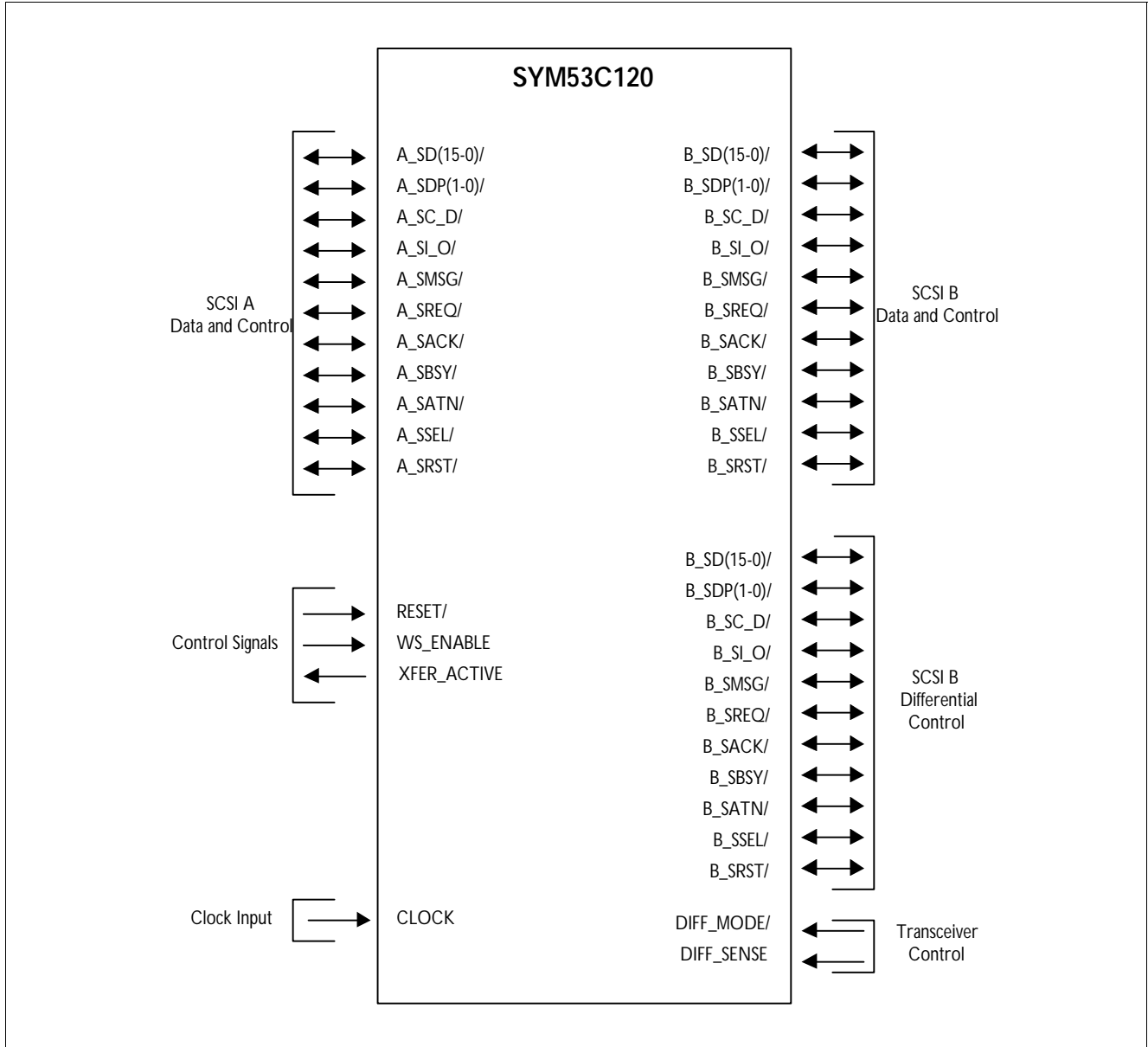


Figure 3-2: SYM53C120 Functional Signal Grouping

SCSI A Interface Pins

Table 3-1: SCSI A Signal Description

SCSI A	Pin	Type	Strength	Description
A_SD/(15-0)	8, 6, 5, 4, 36, 35, 34, 32, 19, 18, 16, 15, 14, 13, 11, 10	I/O	48 mA	Data (16-bit SCSI bus)
A_SDP/(1-0)	9, 20	I/O	48 mA	Data parity bits
A_SCD/	29	I/O	48 mA	Phase line, command/data
A_SIO/	31	I/O	48 mA	Phase line, input/output
A_SMSG/	26	I/O	48 mA	Phase line, message
A_SREQ/	30	I/O	48 mA	Data handshake signal from target device
A_SACK/	24	I/O	48 mA	Data handshake signal from initiator device
A_SBSY/	23	I/O	48 mA	Bus arbitration signal, busy
A_SATN/	21	I/O	48 mA	Attention, the initiator is requesting a message out phase
A_SSEL/	27	I/O	48 mA	Bus arbitration signal, select device
A_SRST/	25	I/O	48 mA	Bus Reset

SCSI B Single-ended Interface Pins

Table 3-2: SCSI B Signal Description

SCSI B	Pin	Type	Strength	Description
B_SD/(15-0)	95, 97, 98, 99, 67, 68, 69, 71, 84, 85, 87, 88, 89, 90, 92, 93	I/O	48 mA	Data (16-bit SCSI bus)
B_SDP/(1-0)	94, 83	I/O	48 mA	Data parity bits
B_SCD/	74	I/O	48 mA	Phase line, command/data
B_SIO/	72	I/O	48 mA	Phase line, input/output
B_SMSG/	77	I/O	48 mA	Phase line, message
B_SREQ/	73	I/O	48 mA	Data handshake signal from target device
B_SACK/	79	I/O	48 mA	Data handshake signal from initiator device
B_SBSY/	80	I/O	48 mA	Bus arbitration signal, busy
B_SATN/	82	I/O	48 mA	Attention, the initiator is requesting a message out phase
B_SSEL/	76	I/O	48 mA	Bus arbitration signal, select device
B_SRST/	78	I/O	48 mA	Bus Reset

SCSI B Differential Interface Pins

Table 3-3: SCSI B Differential Signal Description

SCSI B Differential	Pin	Type	Strength	Description
B_SDIR(15-0)	114, 117, 118, 119, 51, 52, 54, 55, 103, 104, 106, 107, 108, 109, 111, 112	O	4 mA	Driver direction control for SCSI data line
B_SDIRP(1-0)	113, 102	O	4 mA	Driver direction control for SCSI parity signals
B_CD_DIR	59	O	4 mA	Driver direction control for CD/
B_IO_DIR	56	O	4 mA	Driver direction control for IO/
B_MSGDIR	61	O	4 mA	Driver direction control for MSG/
B_REQDIR	57	O	4 mA	Driver direction control for REQ/
B_ACKDIR	64	O	4 mA	Driver direction control for ACK/
B_BSYDIR	65	O	4 mA	Driver direction control for BSY/
B_ATNDIR	101	O	4 mA	Driver direction control for ATN/
B_SELDIR	60	O	4 mA	Driver direction control for SEL/
B_RSTDIR	62	O	4 mA	Driver direction control for RST/

Control Interface Pins

Table 3-4: Chip Control Signal Description

Control	Pin	Type	Strength	Description
RESET/	44	I		Master reset, active low
WS_ENABLE	38	I		Enable/disable SCSI transfers through SYM53C120
XFER_ACTIVE	126	O	16 mA	Transfers through the SYM53C120 are enabled/disabled

Table 3-5: SCSI Control Signal Description

SCSI Control	Pin	Type	Description
CLOCK	47	I	40 MHz input clock
DIFF_MODE/	48	I	SCSI B-side bus mode control
DIFF_SENSE	49	I	The DIFF_SENSE pin detects the presence of a single-ended device on a differential system. This pin should be tied low during single-ended operation and pulled high during differential operation.

Table 3-6: Power and Ground Signal Description

Power and Ground	Pin	Type	Description
VDD-SCSI	3, 37, 66, 100	I/O	Power supplies to the SCSI bus I/O pins
VSS-SCSI	7, 12, 17, 22, 28, 33, 70, 75, 81, 86, 91, 96	I/O	Power supplies to the SCSI bus I/O pins
VSS_IO	41, 53, 63, 105, 115, 127	I/O	Power supplies to the I/O pins
VDD_IO	45, 58, 110, 122	I/O	Power supplies to the I/O pins
VDD_CORE	46, 121	CORE	Power supplies to the CORE logic
VSS_CORE	50, 116	CORE	Power supplies to the CORE logic

Table 3-7: No Connect Pins

No Connects	Pin	Type	Description
NC	39, 40, 42, 43, 120, 123, 124		No external connection required.
Require pullups	1, 2, 128		Requires a pullup.
Require pulldown	125		Requires a pulldown with a 1K ohm resistor.

Chapter 4

Electrical Characteristics

DC Characteristics

Table 4-1: Absolute Maximum Stress Ratings

Symbol	Parameter	Min	Max	Unit	Test Conditions
T_{STG}	Storage temperature	-55	150	°C	-
V_{DD}	Supply voltage	-0.5	7.0	V	-
V_{IN}	Input Voltage	$V_{SS} - 0.5$	$V_{DD} + 0.5$	V	-
I_{LP}^*	Latch-up current	± 150	-	mA	-
ESD**	Electrostatic discharge	-	2K	V	MIL-STD 883C, Method 3015.7

Stresses beyond those listed above may cause permanent damage to the device. These are stress ratings only; functional operation of the device at these or any other conditions beyond those indicated in the Operating Conditions section of the manual is not implied.

* $-2V < V_{PIN} < 8V$

** SCSI pins only

Table 4-2: Operating Conditions

Symbol	Parameter	Min	Max	Unit	Test Conditions
V_{DD}	Supply voltage	4.75	5.25	V	-
I_{DD}	Supply current (dynamic)	-	80	mA	-
	Supply current (static)	-	1	mA	-
T_A	Operating free air	0	70	°C	-
θ_{JA}	Thermal resistance (junction to ambient air)	-	41.3	°C/W	-

Conditions that exceed the operating limits may cause the device to function incorrectly

Table 4-3: SCSI Signals - A_SD(15-0)/, A_SDP(1-0)/, A_SREQ/, A_SACK/, B_SD(15-0)/, B_SDP(1-0)/, B_SREQ/, B_SACK/

Symbol	Parameter	Min	Max	Unit	Test Conditions
V _{IH}	Input high voltage	1.9	V _{DD} + 0.5	V	-
V _{IL}	Input low voltage	V _{SS} - 0.5	1.0	V	-
V _{OH} *	Output high voltage	2.4	3.5	V	2.5 mA
V _{OL}	Output low voltage	V _{SS}	0.4	V	48 mA
I _{OZ}	Tri-state leakage	-10	10	μA	-

*TolerANT active negation enabled

Table 4-4: SCSI Signals - A_SMSG, A_SI_O/, A_SC_D/, A_SATN/, A_SBSY/, A_SSEL/, A_SRST/, B_SMSG, B_SI_O/, B_SC_D/, B_SATN/, B_SBSY/, B_SSEL/, B_SRST/

Symbol	Parameter	Min	Max	Unit	Test Conditions
V _{IH}	Input high voltage	1.9	V _{DD} + 0.5	V	-
V _{IL}	Input low voltage	V _{SS} - 0.5	1.0	V	-
V _{OL}	Output low voltage	V _{SS}	0.5	V	48 mA
I _{OZ}	Tri-state leakage (SRST/ only)	-10 -500	10 -50	μA	-

Table 4-5: Input Signals - CLOCK, DIFF_SENSE, DIFF_MODE/*, WS_ENABLE*

Symbol	Parameter	Min	Max	Unit	Test Conditions
V _{IH}	Input high voltage	2.0	V _{DD} + 0.5	V	-
V _{IL}	Input low voltage	V _{SS} - 0.5	0.8	V	-
I _{IN}	Input leakage	-10*	10	μA	-

* The minimum (I_{IN}) Input leakage for DIFF_MODE/ and WS_ENABLE is -100 μA.

Table 4-6: Capacitance

Symbol	Parameter	Min	Max	Unit	Test Conditions
C_I	Input capacitance of input pads	-	7	pF	-
C_{IO}	Input capacitance of I/O pads	-	10	pF	-

Table 4-7: Differential Signals - B_SDIR(15-0), B_SDIRP0, B_SDIRP1, B_CD_DIR, B_IO_DIR, B_MSGDIR, B_REQDIR, B_B_ACKDIR, B_BSYDIR, B_SELDIR, B_SELDIR, B_RSTDIR

Symbol	Parameter	Min	Max	Unit	Test Conditions
V_{OH}	Output high voltage	2.4	V_{DD}	V	-4 mA
V_{OL}	Output low voltage	V_{SS}	0.4	V	4 mA
I_{OZ}	Tri-state leakage	-10	10	μA	-

Table 4-8: Control Signals - RESET/

Symbol	Parameter	Min	Max	Unit	Test Conditions
V_{IH}	Input high voltage	3.5	$V_{DD} + 0.5$	V	-
V_{IL}	Input low voltage	$V_{SS} - 0.5$	1.5	V	-
I_{OZ}	Tristate leakage	-10	10	μA	-

Table 4-9: Control Signals - XFER_ACTIVE

Symbol	Parameter	Min	Max	Unit	Test Conditions
V_{OH}	Output high voltage	2.4	V_{DD}	V	16 mA
V_{OL}	Output low voltage	V_{SS}	0.4	V	16 mA
I_{OZ}	Tri-state leakage	-10	10	μA	-

TolerANT Technology Electrical Characteristics

Table 4-10: TolerANT Technology Electrical Characteristics

Symbol	Parameter	Min	Max	Units	Test Conditions
V_{OH}^1	Output high voltage	2.5	3.5	V	$I_{OH} = 2.5$ mA
V_{OL}	Output low voltage	0.1	0.5	V	$I_{OL} = 48$ mA
V_{IH}	Input high voltage	1.9	7.0	V	-
V_{IL}	Input low voltage	-0.5	1.0	V	Referenced to V_{SS}
V_{IK}	Input clamp voltage	-0.66	-0.77	V	$V_{DD} = 4.75$; $I_I = -20$ mA
V_{TH}	Threshold, high to low	1.1	1.3	V	-
V_{TL}	Threshold, low to high	1.5	1.7	V	-
$V_{TH}-V_{TL}$	Hysteresis	200	400	mV	-
I_{OH}^1	Output high current	2.5	24	mA	$V_{OH} = 2.5$ V
I_{OL}	Output low current	100	200	mA	$V_{OL} = 0.5$ V
I_{OSH}^1	Short-circuit output high current	-	625	mA	Output driving low, pin shorted to V_{DD} supply ²
I_{OSL}	Short-circuit output low current	-	95	mA	Output driving high, pin shorted to V_{SS} supply
I_{LH}	Input high leakage	-	10	μ A	$-0.5 < V_{DD} < 5.25$ $V_{PIN} = 2.7$ V
I_{LL}	Input low leakage	-	-10	μ A	$-0.5 < V_{DD} < 5.25$ $V_{PIN} = 0.5$ V
R_I	Input resistance	20	-	M Ω	SCSI pins ³
C_P	Capacitance per pin	-	10	pF	PQFP
t_R^1	Rise time, 10% to 90%	9.7	18.5	ns	Figure 7-1
t_F	Fall time, 90% to 10%	5.2	14.7	ns	Figure 7-1
dV_H/dt	Slew rate, low to high	0.15	0.49	V/ns	Figure 7-1
dV_L/dt	Slew rate, high to low	0.19	0.67	V/ns	Figure 7-1
ESD	Electrostatic discharge	2	-	KV	MIL-STD-883C; 3015-7
	Latch-up	100	-	mA	-
	Filter delay	10	15	ns	Figure 4-1

Note: These values are guaranteed by periodic characterization; they are not 100% tested on every device.

¹ Active negation outputs only: Data, Parity, SREQ/, SACK/

²Single pin only; irreversible damage may occur if sustained for one second

³SCSI RESET pin has 10 k Ω pull-up resistor

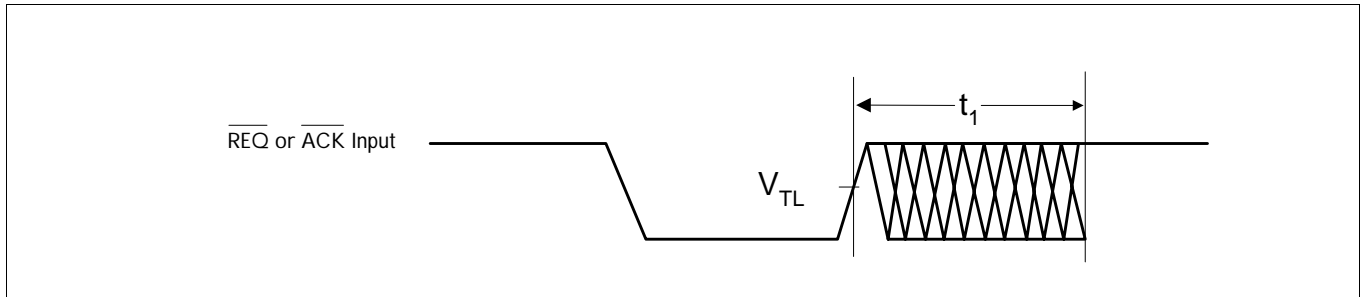


Figure 4-1: Rise and Fall Time Test Conditions

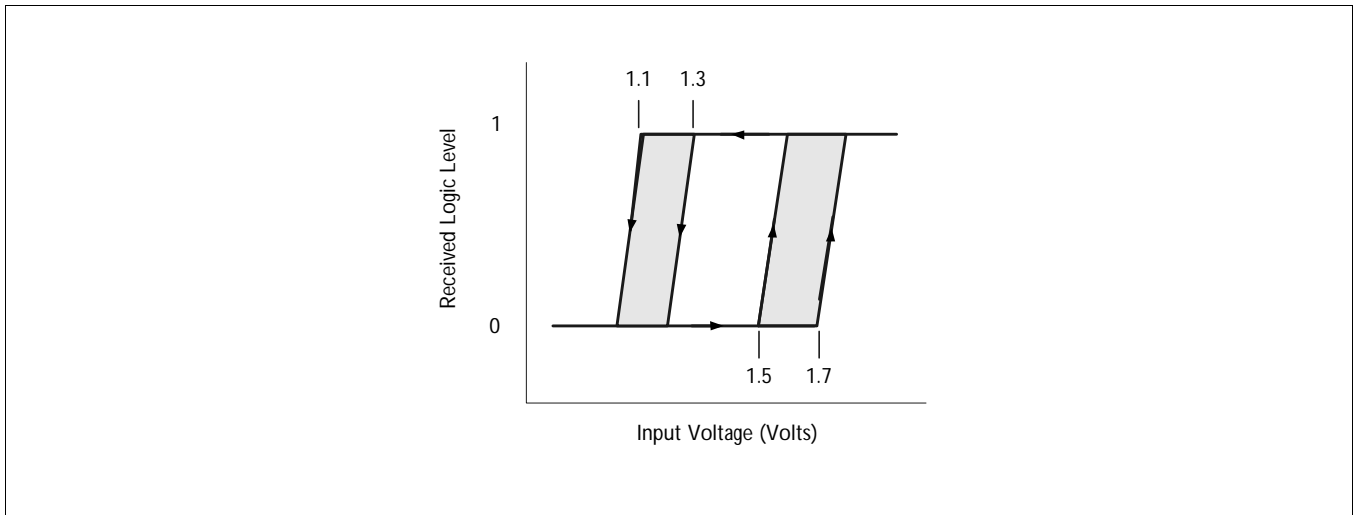


Figure 4-2: Hysteresis of SCSI Receiver

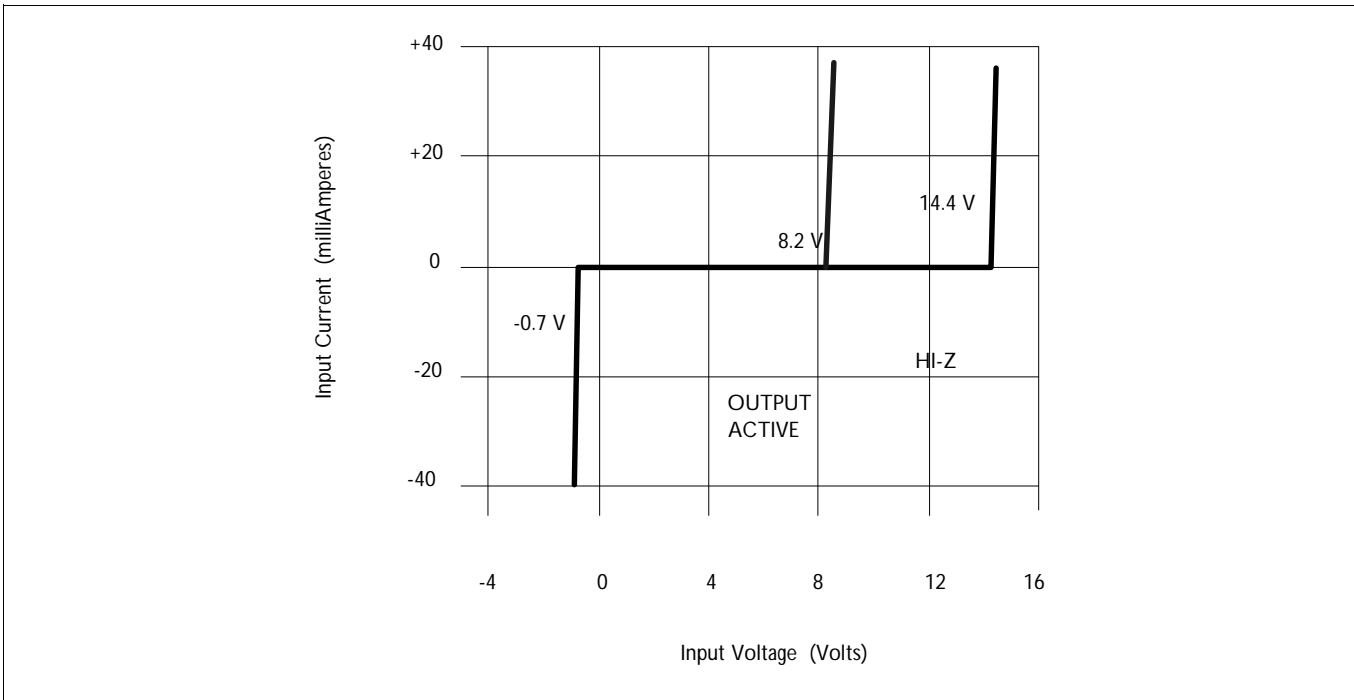


Figure 4-3: Input Current as a Function of Input Voltage

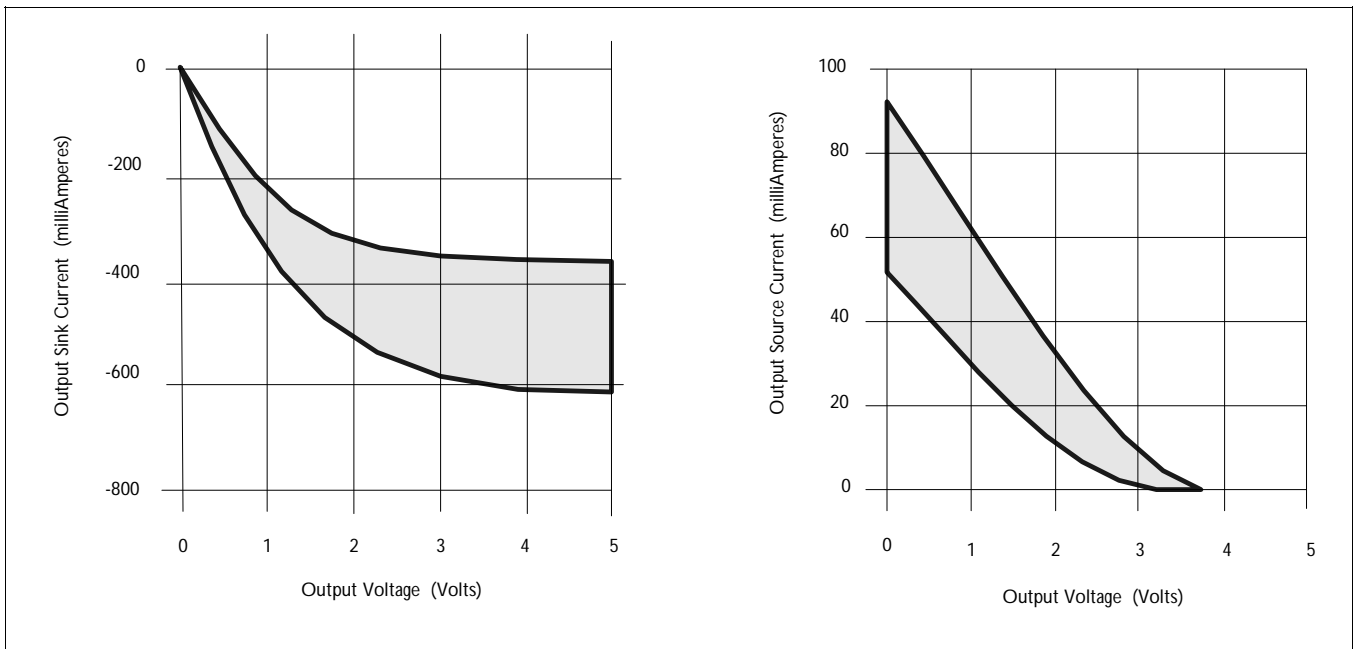


Figure 4-4: Output Current as a Function of Output Voltage

AC Characteristics

The AC characteristics described in this section apply over the entire range of operating conditions (refer to the DC Characteristics section). Chip timings are based on simulation at worst case voltage, temperature, and processing. The SYM53C120 requires a 40 MHz clock input.

Table 4-11: Clock Timing

Symbol	Parameter	Min	Max	Units
t_1	Clock period	24.5	25.5	ns
t_2	Clock low time	10	15	ns
t_3	Clock high time	10	15	ns
t_4	Clock rise time	1	-	V/ns

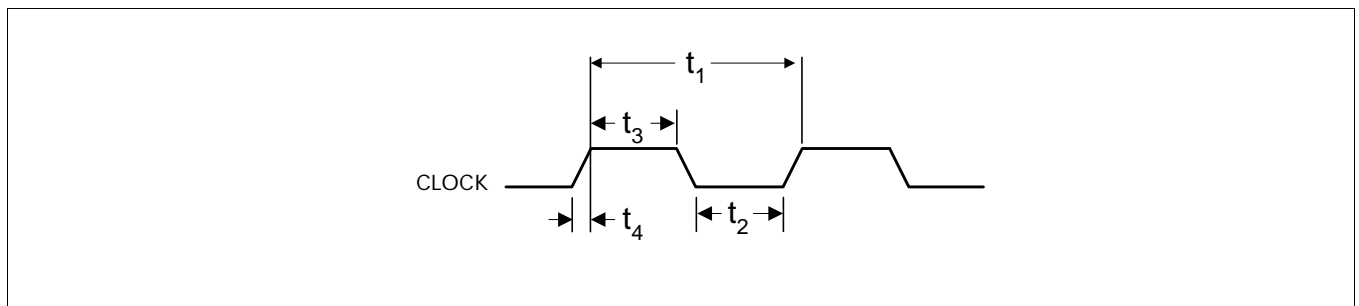


Figure 4-5: Clock Timing

SCSI Interface Timings

Table 4-12: Input Timings

Symbol	Parameter	Min	Max	Units
t_1	Input data setup	1	-	ns
t_2	Input data hold	6	-	ns
t_3	Input REQ/ACK assertion pulse width	11	-	ns
t_4	Input REQ/ACK deassertion pulse width	16	-	ns

Table 4-13: Output Timings

Symbol	Parameter	Min	Max	Units
t_5	Output data setup	$\min [t_1 + 17\text{ns}, t_4 + 5]$	-	ns
t_6	Output data hold	$\max [24, (t_2 - 20), t_3]$	-	ns
t_7	Output REQ/ACK pulse width	$\max [20 \text{ ns}, t_3 - 5]$	$\max [30 \text{ ns}, t_3 + 5]$	ns
t_8	REQ/ACK transport delay	25 ns if REQ/ACK is clock for input data, 10 ns if not	50 ns if REQ/ACK is clock for input data, 30 ns if not	ns
t_9	Data transport delay	6	$[t_3 + 35]$	ns

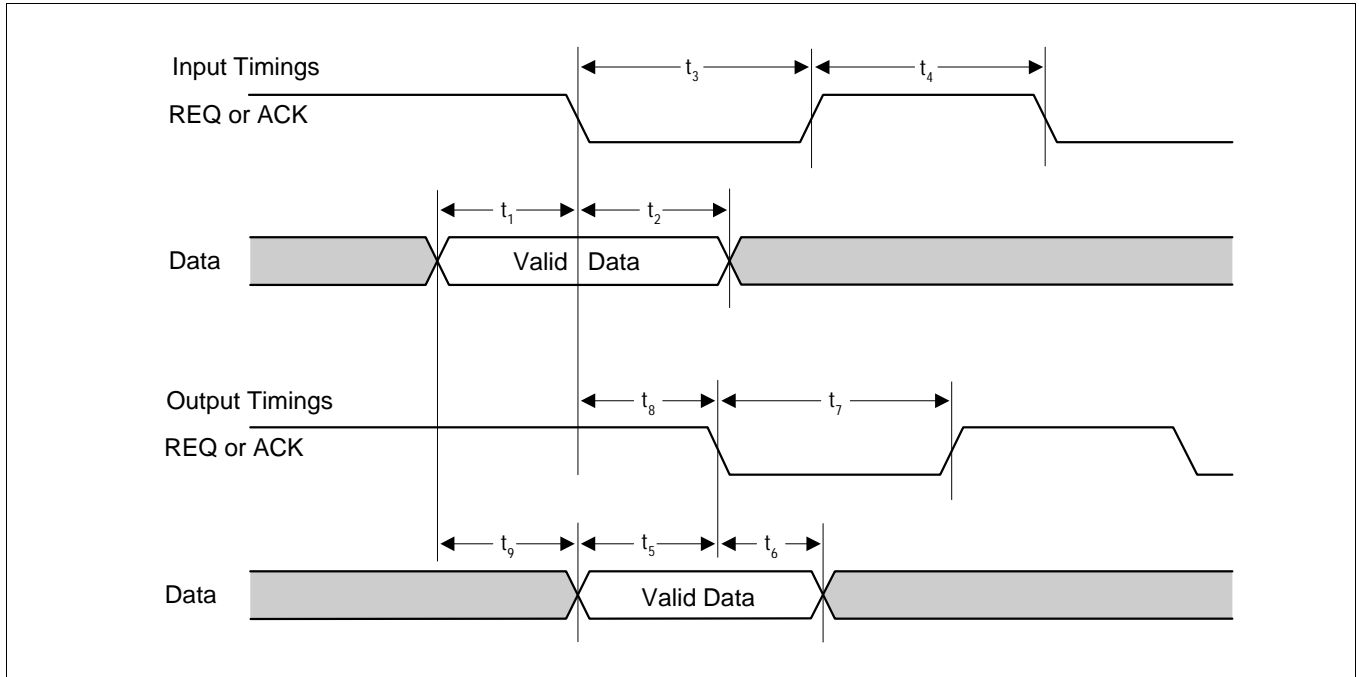


Figure 4-6: Input /Output Timings

Chapter 5

SYM20101/2 SCSI Bus Boards

SYM20101/2 Circuit Board Description

This chapter describes the SYM20101/2 family of SCSI boards based on the SYM53C120 SCSI Bus Expander chip. The SYM20101 Extender and the SYM20102 Converter are wide (16-bit) SCSI Bus boards. The SYM20101 board connects a single-ended SCSI bus to another single-ended bus. The SYM20102 board connects a single-ended SCSI bus to a differential SCSI bus. These boards provide electrical isolation between two SCSI buses, allowing for increased device connectivity and greater cable distances. The board attaches directly to the SCSI bus; target and initiator devices can be located on either the A bus or the B bus. Supporting SCSI-1, -2 and -3 standards, the boards work with any Symbios Logic SCSI products, as well as any other industry-standard SCSI controllers and devices up to Wide Ultra SCSI with transfer rates of 40 Mbytes/second. The following describes the functions of the circuitry on the SYM20101/2.

The heart of the SYM20101 and SYM20102 boards is the SYM53C120 SCSI Bus Expander chip, which is described in Chapters 1 through 4 of this manual. The SYM53C120 chip provides the capability to check SCSI signal tolerances as signals are received and, if necessary, realign them to the SCSI specification. This includes re-timing logic, precision delay control, state machine control and differential control for the SCSI signals. The additional circuitry on the SYM20101/2 boards provide electrical isolation, termination and buffering of the signals. The first part of this chapter describes the common characteristics both boards. The end of this chapter describes the unique characteristics of each board.

Features

- SCSI Interface
 - Two 16-bit SCSI interfaces logically connected through the SYM53C120 Bus Expander chip
 - Active termination on the single-ended buses
 - Remote termination control
 - 68-pin high density connectors
 - Configuration switches and connector for enabling termination power
 - LEDs indicating busy and termination fault
 - Wide Ultra SCSI data transfer capability
- Board Dimensions
 - SYM20101 SCSI Bus Extender board 4.00" X 3.00"
 - SYM20102 SCSI Bus Converter board 3.95" X 4.50"

Physical Characteristics

The SYM20101/2 boards are palm-size rectangular boards each with opposing 68-pin connectors, a disk drive type power connector, and a subsystem interface to control termination and indicate busy. The boards are designed to be mounted in an enclosure.

Electrical Characteristics

The SYM20101/2 boards maximum power requirements, including SCSI TERMPWR, under normal operation is:

- +5V DC $\pm 5\%$ 1.1A over the operating range of 5°C to 55°C

Under abnormal conditions such as a short on SCSI TERMPWR, +5V current may be higher. At temperatures of at least 25°C a current of 4.0A is sustained no longer than 30 seconds before the self-resetting TERM-PWR short circuit protection device opens.

Thermal, Atmospheric Characteristics

The boards are designed to operate in an environment defined by the following parameters:

- Temperature range: 5°C to 55°C (dry bulb)
- Relative humidity range: 5% to 90% non-condensing
- Maximum dew point temperature: 32°C
- Storage Temperature:
 - Temperature range: -45°C to +105°C (dry bulb) Δ 10°C per hour
 - Relative Humidity range: 0% to 90% non-condensing

Electromagnetic Compliance

The boards are designed and implemented to minimize electromagnetic emissions, susceptibility, and the effects of electromagnetic discharge. The boards meet the emission requirements of CISPR II, VCCI and FCC Class B as well as the immunity requirements for CE mark and carries the CE logo.

Safety Characteristics

The bare boards meet or exceed the requirements of UL flammability rating 94V0. The bare boards are also marked with the supplier's name or trademark, type, and UL flammability rating. All voltages these boards use are below the SELV 42.4V limit.

Performance Characteristics

The SCSI interface operates at a burst transfer rate of up to 40 MBytes per second for wide SCSI. Actual transfer rates are a function of the subsystem.

Compatibility

The SCSI interface is compatible with the AMSI standard X3T9.2.

Operational Characteristics

The SYM20101/2 boards are designed for use in computer systems needing electrical isolation via extension or conversion of the SCSI bus. The operation is logically transparent to software, data, and bus protocol operations. It uses no software code and does not use a SCSI ID. In its simplest form, the SYM53C120 based boards passes data and parity from a source bus to a load bus. The simplest model is that the SYM53C120 is just pieces of wire that allow corresponding SCSI signals to flow from side to side.

SYM20101 SCSI Bus Extender Board

The SCSI functionality for the SYM20101 Extender board is contained within the SYM53C120 SCSI Bus Expander chip. The SYM20101 physically and electrically connects two single-ended SCSI buses as one logi-

cal SCSI bus, re-generates timing, and passes bus protocol in compliance with the SCSI standard. The SYM20101 board is designed for use in computer systems needing isolation, and/or extension of the SCSI bus. The board requires no software code and does not use a SCSI ID. Figure 5-1 illustrates the component location on the SYM20101 board.

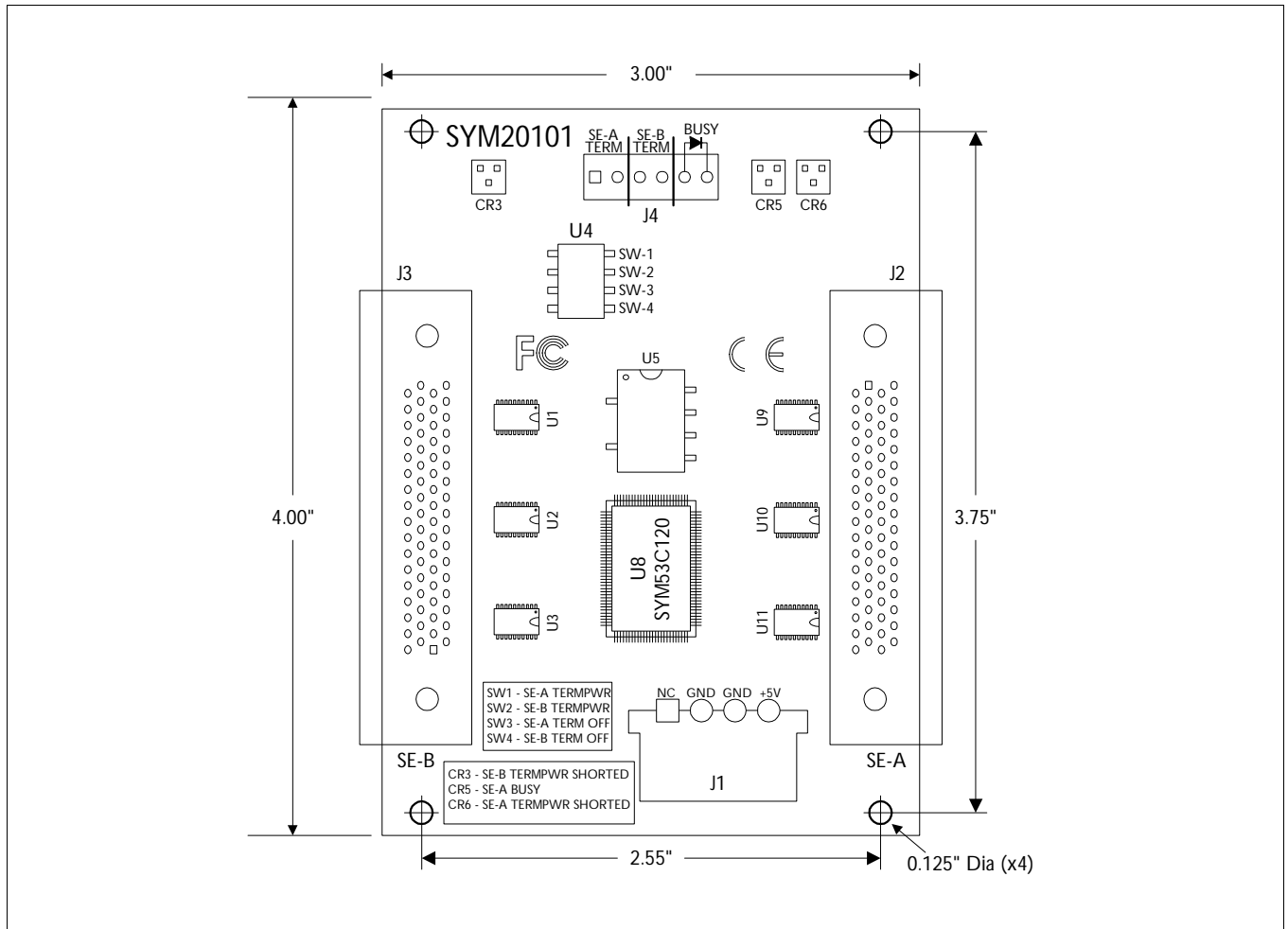


Figure 5-1: SYM20101 SCSI Bus Extender Board

Connectors

- J1 is a standard disk drive power connector. (AMP 641737-1 or equivalent)
- J2 and J3 are 68-pin, high density, shielded, latching, right-angle SCSI connectors. (AMP 787171-7 or equivalent)
- J4 is a 6-pin unshrouded header. (AMP 104427-4 or equivalent)

Physical Characteristics

The dimensions of the SYM20101 SCSI Bus Extender board are 3.00" x 4.00". Power connection is made through connector J1. SCSI connection is made through high density connectors J2 and J3. Board mounted LEDs or external LED connected to J4 display SCSI bus activity and Termination Power status. Switch pack U4 is combination with external switches connected to J4 control termination. The component height on the top of the board is not greater than 0.5".

Board Mounting

The SYM20101 SCSI Bus Extender board is designed to be mounted in an enclosure or computer cabinet. The SYM20101 mounting holes are 0.125 inch in diameter. They are located 2.55" by 3.75" apart in relation to the 3.00" by 4.00" size of the board. The mounting holes are spaced equal distance from the edges of the board.

Board Connectors

There are four connectors on the SYM20101 board:

- Power Connector J1
- SCSI Connectors J2 and J3
- LED and SCSI Terminators Signals J4

Power Connector J1

The DC power interface is designed to receive a standard disk drive type power plug. The Termination Power (TERMPWR) circuitry has a +5V connection through a diode and a vendor-recommended capacitance value of 0.1µF. There is a fuse between the +5V connector and the SCSI bus TERMPWR connectors.

Table 5-1: Power Connector J1

J1-Pin Number	Signal Name
1	Open
2	Ground
3	Ground
4	+5 Volts

SCSI Connectors J2 and J3

The single-ended SCSI interface on the SYM20101 board operates as either an 8-bit or 16-bit, synchronous or asynchronous SCSI bus. The signal definitions conform to the SCSI-2 single-ended standard. The SCSI interface connectors J2 and J3 are both 68-pin high density latching right angle receptacles and the pin definitions conform to the X3T9.2/90-048 single-ended P cable recommendation. SCSI termination power can also be supplied by the board. The following table shows the signal assignments for J2 and J3.

Table 5-2: SE SCSI 68-pin Connectors J2 & J3

Pin	Signal Name	Pin	Signal Name
1	GROUND	35	SD(12)
2	GROUND	36	SD(13)
3	GROUND	37	SD(14)
4	GROUND	38	SD(15)
5	GROUND	39	SD(P1)
6	GROUND	40	SD(0)
7	GROUND	41	SD(1)
8	GROUND	42	SD(2)
9	GROUND	43	SD(3)
10	GROUND	44	SD(4)
11	GROUND	45	SD(5)
12	GROUND	46	SD(6)
13	GROUND	47	SD(7)
14	GROUND	48	SD(P0)
15	GROUND	49	GROUND
16	GROUND	50	GROUND
17	TERMPWR	51	TERMPWR
18	TERMPWR	52	TERMPWR
19	No Connect	53	No Connect
20	GROUND	54	GROUND
21	GROUND	55	SATN
22	GROUND	56	GROUND
23	GROUND	57	SBSY
24	GROUND	58	SACK
25	GROUND	59	SRST
26	GROUND	60	SMSG

Table 5-2: SE SCSI 68-pin Connectors J2 & J3

Pin	Signal Name	Pin	Signal Name
27	GROUND	61	SSEL
28	GROUND	62	SC/D
29	GROUND	63	SREQ
30	GROUND	64	SI/O
31	GROUND	65	SD(8)
32	GROUND	66	SD(9)
33	GROUND	67	SD(10)
34	GROUND	68	SD(11)

External Termination Control Connector J4

A-Side and B-Side single-ended termination circuit provides termination for the SCSI buses. On-board termination for each of the two physical busses is controlled in one of two ways: switches or the termination interface (J4).

Switches

The SYM20101 board contains the following four switches at location U4.

Table 5-3: U4 Switches

Switch	Position	Condition	Description
SW1	ON	Enable	A-Side Termination Power
	OFF	Disabled	
SW2	ON	Enable	B-Side Termination Power
	OFF	Disabled	
SW3	ON	Disabled	A-Side Termination
	OFF	Enabled	
SW4	ON	Disabled	B-Side Termination
	OFF	Enabled	

Termination Interface

The termination control on the SYM20101 board permits the connection of a subsystem harness for external control of the on-board active SCSI terminators. Con-

necting the Disable SE-A TERM or Disable SE-B TERM pins on J4 to ground turns-off on-board termination on the indicated physical bus. See the following table.

Table 5-4: Termination Control Connector J4

J4-Pin Number	Signal Name
1	Disable SE-A TERM
2	Ground
3	Disable SE-B TERM
4	Ground

LEDs and Connector J4

The SYM20101 board contains three LEDs: one bus activity LED, and two board status LEDs.

One green LED indicates SCSI Bus Busy.

Two yellow LEDs, one for each bus, indicate when termination power (TERMPWR) is shorted to ground. For instance, if Termination Power is grounded somewhere in the subsystem while Termination power is supplied by the board (when U4 switches SW1 and/or SW2 are enabled).

Table 5-5: LED Description

LED	Color/Condition	Description
CR3	Yellow/ON	B-Side, TERMPWR shorted to ground
CR5	Green/ON	A-Side, BUSY (SCSI active on Side-A)
CR6	Yellow/ON	A-Side, TERMPWR shorted to ground

The connector J4, pins 5 and 6, is an LED interface that contains the signal and ground for the SCSI Busy LED. An external LED harness can be connected to the board for external mounting of a SCSI Busy LED.

Table 5-6: LED Connector J4

J4-Pin Number	Signal Name
5	BUSY LED+
6	BUSY LED-

SYM20101 SCSI Bus Extender Board Installation Instructions

Software Requirements

There are no software requirements for this board.

Board Mounting

Mount the board inside the selected enclosure using four fasteners in the 0.125" diameter mounting holes.

Setting Switches

Use the information under the heading *Switches* or the information on the board to properly set the switches at board location U4.

Connecting Cables

- Connect power plug to connector J1.
- Connect SCSI cables to connectors J2 and J3.
- Connect optional harness to connector J4 for external control of active SCSI terminators using external switches and to view SCSI bus activity on an LED.

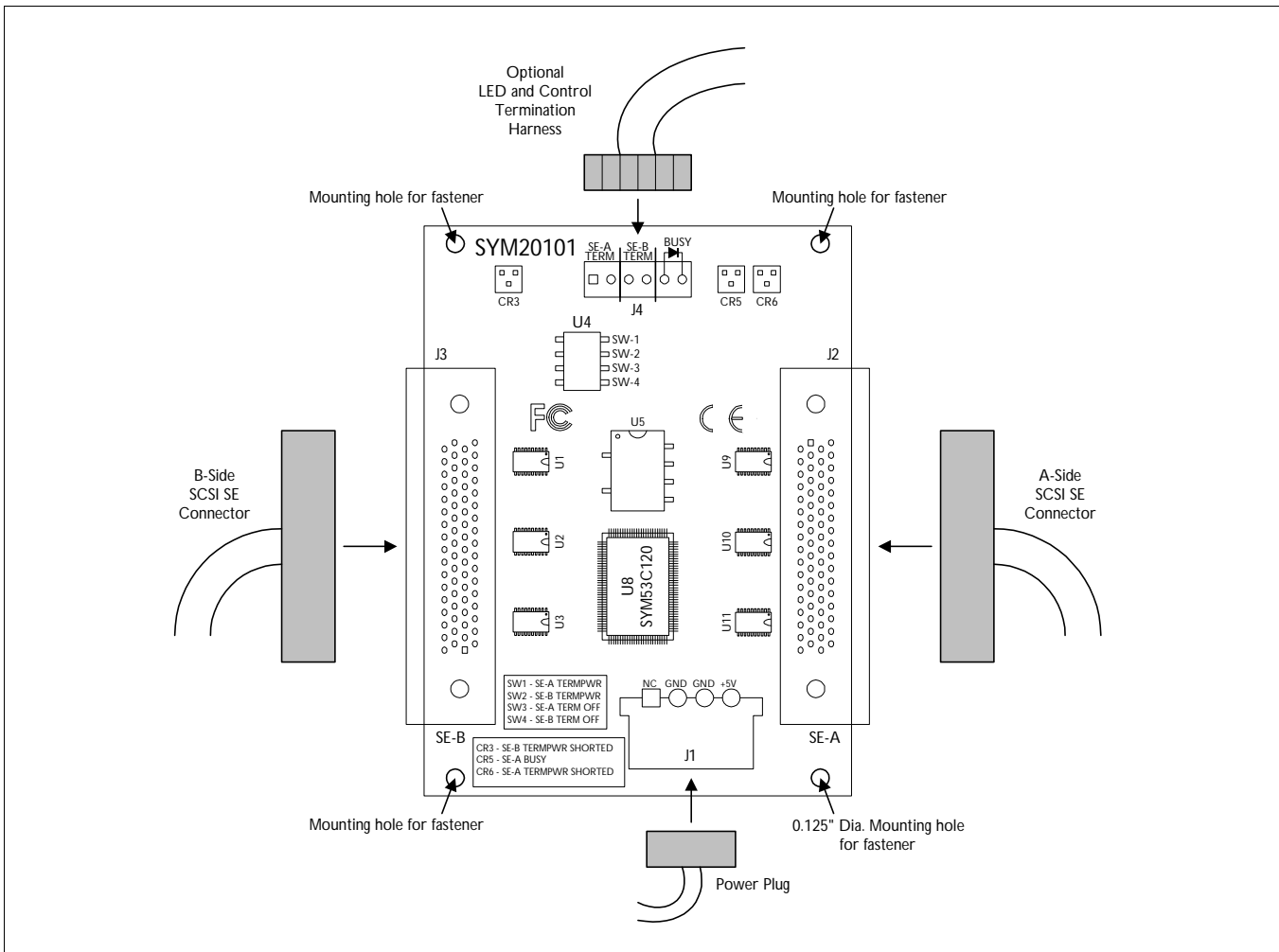


Figure 5-2: SYM20101 Board Installation

SYM20102 SCSI Bus Converter Board

The SCSI functionality for the SYM20102 Converter board is contained within the SYM53C120 SCSI Bus Expander chip. The SYM20102 physically and electrically connects one single-ended SCSI buses and one differential SCSI bus as one logical SCSI bus, re-gener-

ates timing, and passes bus protocol in compliance with the SCSI standard. The SYM20102 board is designed for use in computer systems needing isolation, and extension or transceiver translation of the SCSI bus. The operation is logically transparent to software and data, uses no software code and does not use a SCSI ID. Figure 5-3 illustrates the component location on the SYM20102 Converter board.

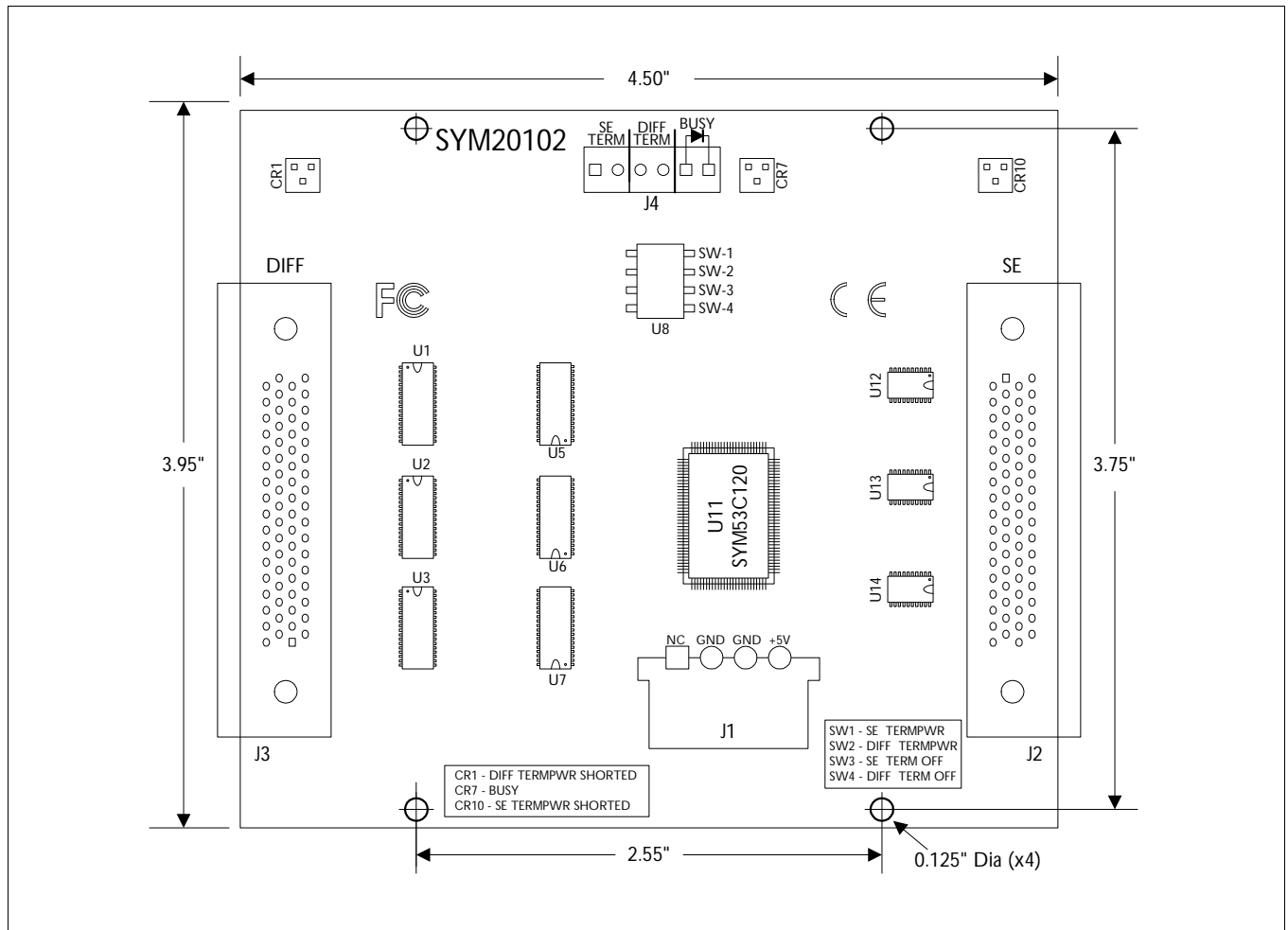


Figure 5-3: SYM20101 SCSI Bus Converter Board

Connectors

- J1 is a standard disk drive power connector. (AMP 641737-1 or equivalent)
- J2 and J3 are 68-pin high density shielded latching

- right-angle SCSI connectors. (AMP 787171-7 or equivalent)
- J4 is a 6-pin unshrouded header. (AMP 104427-4 or equivalent)

Physical Characteristics

The dimensions of the SYM20102 Extender board are 3.95" x 4.50". Power connection is made through connector J1. SCSI connection is made through high density connectors J2 and J3. Board mounted LEDs or external LED connected to J4 display SCSI bus activity and Termination Power status. Switch pack U4 is combination with external switches connected to J4 control termination. The component height on the top of the board is not greater than 0.5".

Board Mounting

The SYM20102 Converter board is designed to be mounted in an enclosure or computer cabinet. The SYM20102 mounting holes are 0.125 inch in diameter. They are located 2.55" by 3.75" apart in relation to the 3.95" by 4.50" size of the board. The mounting holes are spaced equal distance from the edges of the board.

Board Connectors

There are four connectors on the SYM20102 board:

- Power Connector J1
- SCSI Connectors J2 and J3
- LED and SCSI Terminators Signals J4

Power Connector J1

The DC power interface is designed to receive a standard disk drive type power plug. The Termination Power (TERMPWR) circuitry has a +5V connection through a diode and a vendor-recommended capacitance value of 0.1µF. There is a fuse between the +5V connector and the SCSI bus TERMPWR connectors.

Table 5-7: Power Connector J1

J1-Pin Number	Signal Name
1	Open
2	Ground
3	Ground
4	+5 Volts

SCSI Connectors J2 and J3

The SCSI interfaces on the SYM20102 board operates as either an 8-bit or 16-bit, synchronous or asynchronous SCSI bus. The SCSI interface connectors J2 and J3 are both 68-pin high density latching right angle receptacles and the pin definitions conform to the X3T9.2/90-048 single-ended P cable recommendation. SCSI termination power can also be supplied by the board. Connector J2 is a single-ended only connector and its pin-out is the same as shown in Table 5-2. The following table shows the signal assignments for J3 which is a single-ended or a differential connection.

Table 5-8: DIFF SCSI 68-pin Connector J3

Pin	Signal Name	Pin	Signal Name
1	+DB(12)	35	-DB(12)
2	+DB(13)	36	-DB(13)
3	+DB(14)	37	-DB(14)
4	+DB(15)	38	-DB(15)
5	+DB(P1)	39	-DB(P1)
6	+DB(0)	40	-DB(0)
7	+DB(1)	41	-DB(1)
8	+DB(2)	42	-DB(2)
9	+DB(3)	43	-DB(3)
10	+DB(4)	44	-DB(4)
11	+DB(5)	45	-DB(5)
12	+DB(6)	46	-DB(6)
13	+DB(7)	47	-DB(7)
14	+DB(P0)	48	-DB(P0)
15	GROUND	49	GROUND
16	DIFFSENS	50	GROUND
17	TERMPWR	51	TERMPWR
18	TERMPWR	52	TERMPWR
19	RESERVED	53	RESERVED
20	GROUND	54	GROUND
21	+ATN	55	-ATN
22	GROUND	56	GROUND
23	+BSY	57	-BSY
24	+ACK	58	-ACK
25	+RST	59	-RST

Table 5-8: DIFF SCSI 68-pin Connector J3

Pin	Signal Name	Pin	Signal Name
26	+MSG	60	-MSG
27	+SEL	61	-SEL
28	+C/D	62	-C/D
29	+REQ	63	-REQ
30	+I/O	64	-I/O
31	+D(8)	65	-D(8)
32	+D(9)	66	-D(9)
33	+D(10)	67	-D(10)
34	+D(11)	68	-D(11)

External Termination Control Connector J4

A-Side and B-Side single-ended termination circuit provides termination for the SCSI buses. On-board termination for each of the two physical busses is controlled in one of two ways: switches or the termination interface (J4).

Switches

The SYM20102 board contains the following four switches at location U8.

Table 5-9: U8 Switches

Switch	Position	Condition	Description
SW1	ON	Enable	A-Side
	OFF	Disabled	Termination Power
SW2	ON	Enable	B-Side
	OFF	Disabled	Termination Power
SW3	ON	Disabled	A-Side
	OFF	Enabled	Termination
SW4	ON	Disabled	B-Side
	OFF	Enabled	Termination

Termination Interface

The termination control on the SYM20101 board permits the connection of a subsystem harness for external control of the on-board active SCSI terminators. Con-

necting the Disable SE-A TERM or Disable SE-B TERM pins on J4 to ground turns-off on-board termination on the indicated physical bus. See the following table.

Table 5-10: Termination Control Connector J4

J4-Pin Number	Signal Name
1	Disable SE-A TERM
2	Ground
3	Disable SE-B TERM
4	Ground

LEDs and Connector J4

The SYM20102 board contains three LEDs: one bus activity LED and two board status LEDs.

One green LED indicates SCSI bus busy.

Two yellow LEDs, one for each bus, indicate when termination power (TERMPWR) is shorted to ground. For instance, if Termination Power is grounded somewhere in the subsystem while Termination power is supplied by the board (when U8 switches SW1 and/or SW2 are enabled).

Table 5-11: LED Description

LED	Color/Condition	Description
CR1	Yellow/ON	B-Side, TERMPWR shorted to ground
CR7	Green/ON	A-Side, BUSY (SCSI active on Side-A)
CR10	Yellow/ON	A-Side, TERMPWR shorted to ground

The connector J4, pins 5 and 6, is an LED interface that contains the signal and ground for the SCSI Busy LED. An external LED harness can be connected to the board for external mounting of a SCSI Busy LED.

Table 5-12: LED Connector J4

J4-Pin Number	Signal Name
5	BUSY LED+
6	BUSY LED-

SYM20102 SCSI Bus Converter Board Installation Instructions

Software Requirements

There are no software requirements for this board.

Board Mounting

Mount the board inside the selected enclosure using four fasteners in the provided mounting holes. Make sure nothing touches any of the board's electrical components that might short them out.

Setting Switches

Use the information under the heading *Switches* or the information on the board to properly set the switches at board location U8.

Connecting Cables

- Connect power plug to connector J1.
- Connect SCSI cables to connectors J2 and J3.
- Connect optional harness to connector J4 for external control of active SCSI terminators using external switches and to view SCSI bus activity on an LED.

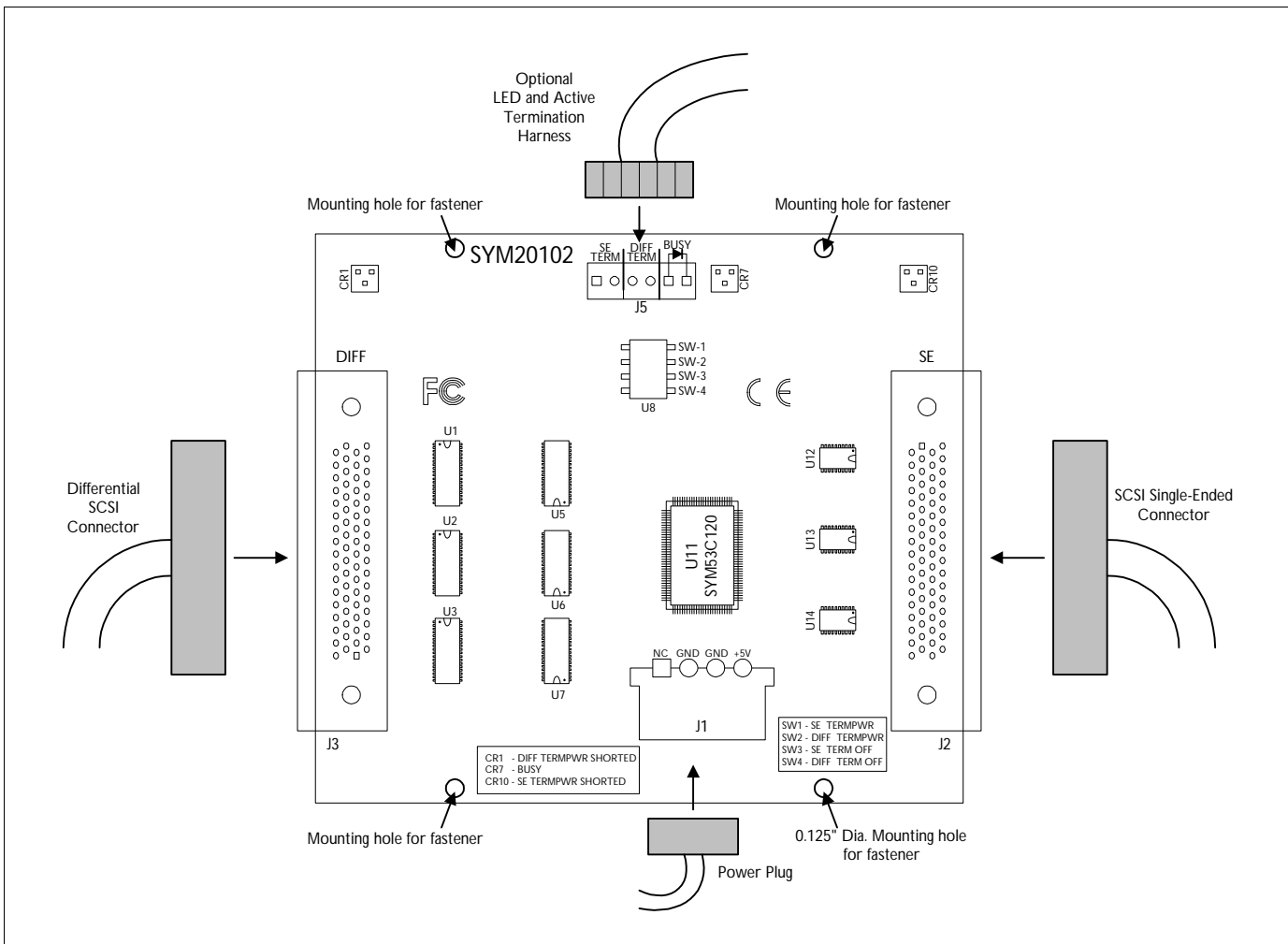


Figure 5-4: SYM20102 Board Installation

Appendix A Mechanical Drawings

SYM53C120 Mechanical Drawing

The SYM53C120 comes in a 128-pin metric Plastic Quad Flat Package (PQFP) with a 3.9 mm footprint.

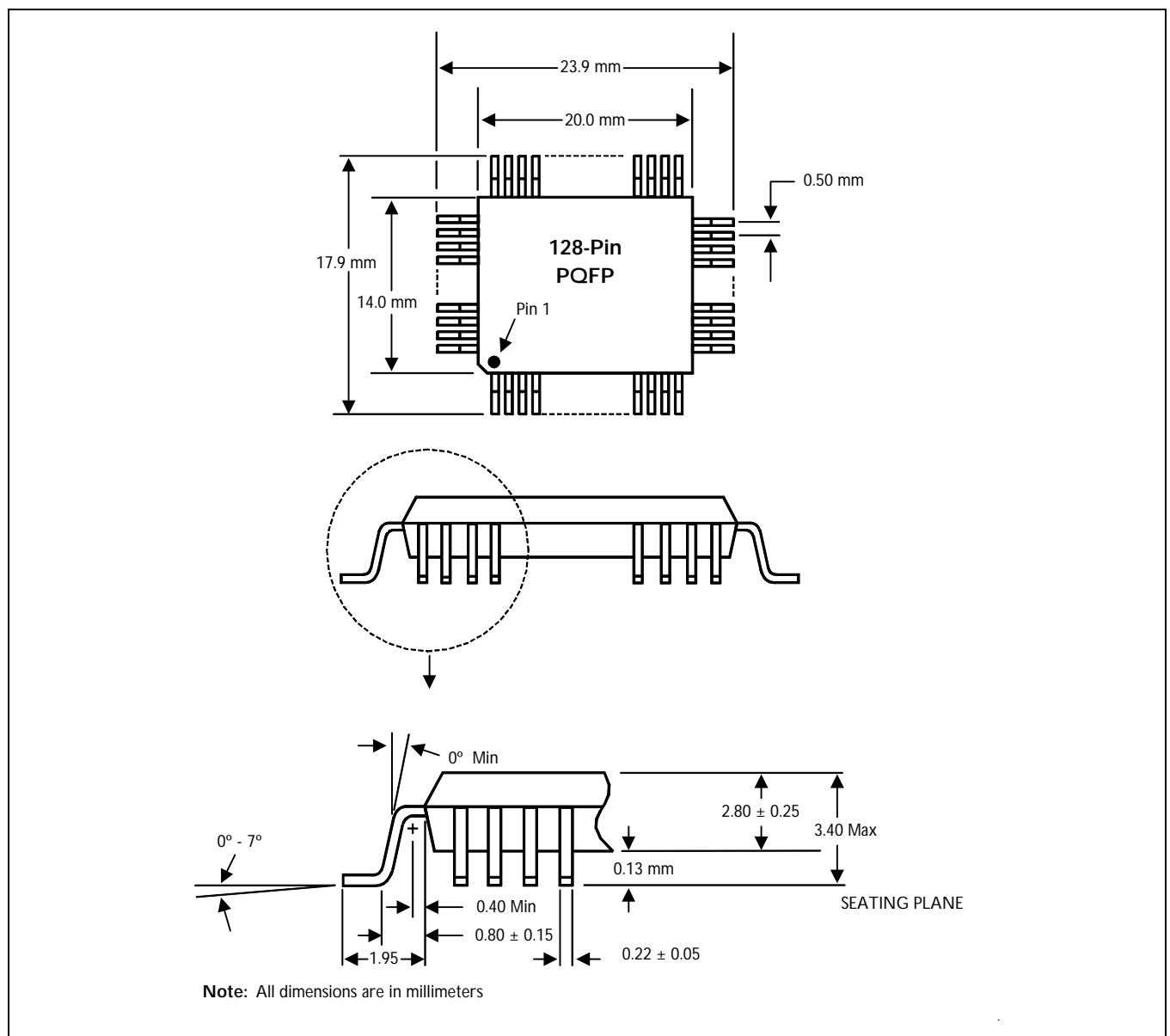


Figure A-1: SYM53C120 Mechanical Drawing

Appendix B Differential Wiring Diagram

SYM53C120 Differential Wiring Diagram

Figure B-1 shows the wiring diagram for Ultra SCSI operation in the differential mode using pull-up resistors.

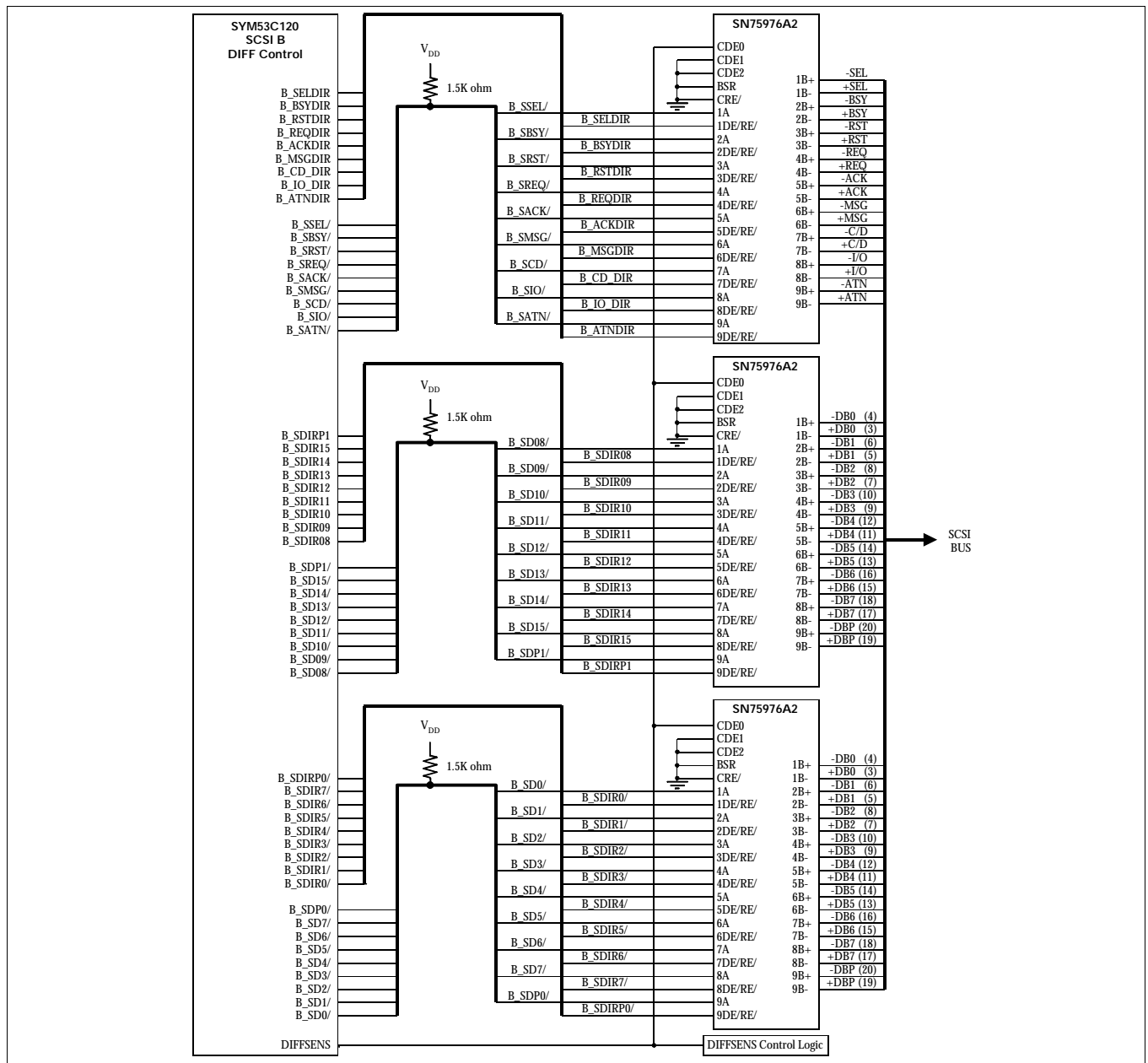


Figure B-1: SYM53C120 Differential Wiring Diagram

Glossary

ACK/

Acknowledge – Driven by an initiator, ACK/ indicates an acknowledgment for a SCSI data transfer. In the target mode, ACK/ is received as a response to the REQ/ Signal.

ANSI

American National Standards Institute.

Arbitration

The process of selecting one respondent from a collection of several candidates that request service concurrently.

Asserted

A signal is asserted when it is in the state which is indicated by the name of the signal. Opposite of negated or de-asserted.

Assertion

The act of driving a signal to the true state.

Asynchronous Transmission

Transmission in which each byte of the information is synchronized individually, through the use of Request (REQ/) and Acknowledge (ACK/) signals.

ATN/

Attention – Driven by an initiator, indicates an attention condition. In the target role, ATN/ is received and is responded to by entering the Message Out Phase.

Auto-configuration Ports

Three 8-bit ports (Address, Write_Data, and Read_Data) used by software to access the configuration space on each Plug and Play card. The configuration space is implemented as a set of 8-bit registers. These registers are used by the Plug and Play software to issue commands, check status, access the resource data information, and configure the Plug and Play hardware.

Block

A block is the basic 512 byte region of storage into which the storage media is divided. The Logical Block Address protocol uses sequential block addresses to access the media.

BSY/

Busy – Indicates that the SCSI Bus is being used. BSY/ can be driven by both the initiator and the target device.

Bus

A collection of unbroken signal lines that interconnect computer modules. The connections are made by taps on the lines.

C_D/

Control/Data – Driven by a target, indicates Control or Data Information is on the SCSI Bus. This signal is received by the initiator.

Connect

The function that occurs when an initiator selects a target to start an operation, or a target reselects an initiator to continue an operation.

Control Signals

The set of nine lines used to put the SCSI bus into its different phases. The combinations of asserted and negated control signals define the phases.

Controller

A computer module that interprets signals between a host and a peripheral device. Often, the controller is a part of the peripheral device, such as circuitry on a disk drive.

DB0/-DB7/

SCSI Data Bits and Parity Bit – These eight Data Bits (DB0/-DB7/), plus a Parity Bit (DBP/), form the SCSI Bus. DB7/ is the most significant bit and has the highest priority ID during the Arbitration

Phase. Data parity is odd. Parity is always generated and optionally checked. Parity is not valid during arbitration.

De-asserted

The act of driving a signal to the false state or allowing the cable terminators to bias the signal to the false state (by placing the driver in the high impedance condition).

A signal is de-asserted or negated when it is in the state opposite to that which is indicated by the name of the signal. Opposite of asserted.

Device

A single unit on the SCSI bus, identifiable by an SCSI address. It can be a processor unit, a storage unit (such as a disk or tape controller or drive), an output unit (such as a controller or printer), or a communications unit.

Disconnect

The function that occurs when a target releases control of the SCSI bus, allowing the bus to go to the Bus Free phase.

Driver

When used in the context of electrical configuration, “driver” is the circuitry that creates a signal on a line. When used in the context of software, “driver” is the program that translates commands between the initiator and target.

External Configuration

All SCSI peripheral devices are external to the host enclosure.

External Terminator

The terminator that exists on the last peripheral subsystem that terminates the external end of the SCSI bus.

Exit-Point Terminator

A Terminator that may be enabled or disabled which exists at the 50-position high-density connector on hosts that support a mixed configuration (combination of internal and external SCSI peripheral devices).

Free

In the context of Bus Free phase, “free” means that no SCSI device is actively using the SCSI bus and, therefore, the bus is available for use.

Gigabyte

One billion bytes; equal to one thousand megabytes.

High (logical level)

A signal is in the high logic state when it is above approximately 2.5 volts.

Host

A processor, usually consisting of the central processing unit and main memory. Typically, a host communicates with other devices, such as peripherals and other hosts. On the SCSI bus, a host has an SCSI address.

Host Adapter

Circuitry that translates between a processor's internal bus and a different bus, such as SCSI. On the SCSI bus, a host adapter usually acts as an initiator.

Initiator

An SCSI device that requests another SCSI device (a target) to perform an operation. Usually, a host acts as an initiator and a peripheral device acts as a target.

Internal Configuration

All SCSI peripheral devices are internal to the host enclosure.

Internal Terminator

The terminator that exists within the host that terminates the internal end of the SCSI bus.

I/O/

Input/Output – Driven by a target, controls the direction of data transfer on the SCSI Bus. When active, this signal indicates input to the initiator. When inactive, this signal indicates output from the initiator. This signal is also used to distinguish between the Selection and Reselection Phases.

I/O Cycle

An I/O cycle is an Input (I/O Read) operation or Output (I/O Write) operation that accesses the PC Card's I/O address space.

I/O Mapped

A storage location or register is I/O mapped when it is available to be accessed using I/O cycles. The register or storage location might also be accessible using memory cycles, in which case it would also be memory mapped.

IREQ

Interrupt Request – Alerts the host computer of a condition that needs to be serviced. Most of the interrupts are individually maskable. The Interrupt Request signal between a PC Card and a socket when the I/O interface is active.

LBA

Abbreviation for Logical Block Address.

Logical Block Address

A logical block address is a sequential address for accessing the blocks on the storage media. The first block of the media is addressed as block 0 and succeeding blocks are numbered sequentially until the last block is encountered. This is the traditional method for accessing peripherals on an SCSI interface bus.

Logical Unit

The logical representation of a physical or virtual device, addressable through a target. A physical device can have more than one logical unit.

Low (logical level)

A signal is in the low logic level when it is below approximately 0.5 volts.

LSB

Abbreviation for Least Significant Bit or Least Significant Byte. That portion of a number, address or field that occurs right-most when its value is written as a single number in conventional hexadecimal or binary notation. The portion of the number having the least weight in a mathematical calculation using the value.

LUN

Logical Unit Number. Used to identify a logical unit.

Mandatory

A characteristic or feature that must be present in every implementation of the standard.

Memory Cycle

A memory cycle is a memory read (using Output Enable) operation or memory write (using Write Enable / Program) operation that accesses the PC Card's common memory or attribute memory address space.

Memory Interface

The memory interface is the default interface after power-up, PCMCIA Hard Reset, and PCMCIA Soft Reset for both PCMCIA cards and sockets. This interface supports memory operations as defined in PCMCIA Release 1.0 and later and is used by both Memory Cards and I/O Cards.

Memory Mapped

A storage location or register is memory mapped when it is available to be accessed using memory cycles. The register or storage location might also be accessible using I/O cycles, in which it would also be I/O mapped.

MHz

MegaHertz – Measurement in thousands of cycles per second. Used as a measurement of data transfer rate.

microsecond (μ s)

One millionth of a second.

MSB

Abbreviation for Most Significant Bit and Most Significant Byte. That portion of a number, address or field that occurs left-most when its value is written as a single number in conventional hexadecimal or binary notation. The portion of the number having the most weight in a mathematical calculation using the value.

MSG/

Message – Driven active by a target during the Message Phase. This signal is received by the initiator.

nanosecond (ns)

One billionth of a second.

Negated

A signal is negated or de-asserted when it is in the state opposite to that which is indicated by the name of the signal. Opposite of asserted.

Negation

The act of driving a signal to the false state or allowing the cable terminators to bias the signal to the false state (by placing the driver in the high impedance condition).

ns

nanoseconds.

PC

Abbreviation for Personal Computer. Often used to refer to an 80x86 based computer system.

Parity

A method of checking the accuracy of binary numbers. An extra bit, called a parity bit, is added to a number. If even parity is used, the sum of all 1s in the number and its corresponding parity is always even. If odd parity is used, the sum of the 1s and the parity bit is always odd.

Peripheral device

A device that can be attached to an SCSI bus. Typical peripheral devices are disk drives, tape drives, printers, CD ROMs, or communications units.

Phase

One of the eight states to which the SCSI bus can be set. During each phase, different communication tasks can be performed.

Plug and Play (PnP)

Plug and Play is a specification that frees users from locating and setting ID and IRQ switches and jumpers. PnP permits a card to be configured automatically after installation.

Port

A connection into a bus. The SCSI bus allows eight ports.

Priority

The ranking of the devices on the bus during arbitration.

Protocol

A convention for data transmission that encompasses timing control, formatting, and data representation.

Receiver

The circuitry that receives electrical signals on a line.

Reconnect

The function that occurs when a target reselects an initiator to continue an operation after a disconnect.

Release

The act of allowing the cable terminators to bias the signal to the false state (by placing the driver in the high impedance condition).

REQ/

Request – Driven by a target, indicates a request for an SCSI data-transfer handshake. This signal is received by the initiator.

Reselect

A target can disconnect from an initiator in order to perform a time-consuming function, such as a disk seek. After performing the operation, the target can “reselect” the initiator.

RESET

Reset – Clears all internal registers when active. It does not assert the SCSI RST/ signal and therefore does not reset the SCSI bus.

RST

Reset – Indicates an SCSI Bus reset condition.

SCSI Address

The octal representation of the unique address (0-7) assigned to an SCSI device. This address is normally assigned and set in the SCSI device during system installation.

SCSI ID (Identification) or SCSI Device ID

The bit-significant representation of the SCSI address referring to one of the signal lines DB0/ through DB7/.

SCSI

Small Computer System Interface.

SCAM

An acronym for SCSI Configured AutoMagically or SCSI Configured AutoMatically. SCAM is SCSI's new automatic ID assignment protocol. SCAM frees SCSI user's from locating and setting SCSI ID switches and jumpers. SCAM is the key part of Plug and Play SCSI.

SEL/

Select – Used by an initiator to select a target or by a target to reselect an initiator.

Single-ended configuration

An electrical signal configuration that uses a single line for each signal, referenced to a ground path common to the other signal lines. The advantage of a single-ended configuration is that it uses half the pins, chips, and board area that differential configurations require. The main disadvantage of single-ended configurations is that they are vulnerable to common mode noise. Also, cable lengths are limited.

Synchronous transmission

Transmission in which the sending and receiving devices operate continuously at the same frequency and are held in a desired phase relationship by correction devices. For buses, synchronous transmission is a timing protocol that uses a master clock and has a clock period.

Target

An SCSI device that performs an operation requested by an initiator.

Termination

The electrical connection at each end of the SCSI bus, composed of a set of resistors.

μs

Microsecond.

Index

Symbols

μs, Glossary-5

Numerics

68-pin connectors, 5-1

A

A_SACK/, 2-3, 3-3

A_SATN/, 2-4, 3-3

A_SBSY/, 2-3, 3-3

A_SCD/, 2-4, 3-3

A_SD/(15-0), 3-3

A_SDP/(1-0), 3-3

A_SIO/, 3-3

A_SMSG/, 2-4, 3-3

A_SREQ/, 2-3, 3-3

A_SRST/, 2-4, 3-3

A_SSEL/, 2-4, 3-3

Absolute Maximum Stress Ratings, 4-1

AC characteristics, 4-7

ACK, 2-3, Glossary-1

Acknowledge, 2-1

Acknowledge (ACK), 2-3

Active negation, 2-1

Active SCSI Terminators Signals, 5-4

Active termination, 5-1

ANSI, Glossary-1

ANSI Standard X3. 131, 2-2

Application examples, 1-2

Arbitration, Glossary-1

Asserted, Glossary-1

Assertion, Glossary-1

Asynchronous, 1-1

Asynchronous transmission, Glossary-1

ATN, Glossary-1

Attention, 3-3, 3-4

Attention (ATN), 2-4

B

B_ACKDIR, 2-4, 3-5

B_ATNDIR, 2-4, 3-5

B_BSYDIR, 2-4, 3-5

B_CD_DIR, 2-4, 3-5

B_IO_DIR, 2-4, 3-5

B_MSGDIR, 2-4, 3-5

B_REQDIR, 2-4, 3-5

B_RSTDIR, 2-4, 3-5

B_SACK/, 2-3, 3-4

B_SATN/, 2-4, 3-4

B_SBSY/, 2-3, 3-4

B_SCD/, 2-4, 3-4

B_SD/(15-0), 3-4

B_SDIR(15-0), 3-5

B_SDIR(15-0, P0, P1), 2-4

B_SDIRP(1-0), 3-5

B_SDP/(1-0), 3-4

B_SELDIR, 2-4, 3-5

B_SIO/, 2-4, 3-4

B_SMSG/, 2-4, 3-4

B_SREQ/, 2-3, 3-4

B_SRST/, 2-4, 3-4

B_SSEL/, 2-4, 3-4

Balanced duty cycles, 2-2

Bi-directional connections, 2-1

Block, Glossary-1

Board Connectors, 5-4, 5-8

Board Dimensions, 5-1

Board Mounting, 5-4, 5-8

BSY, Glossary-1

Bus, Glossary-1

Bus arbitration, 3-3, 3-4

Bus Reset, 3-4

Bus timings, 2-2

Busy (BSY), 2-3

Busy LED, 5-5, 5-9

C

C_D, Glossary-1
 Calibration, 2-2
 Capacitance, 4-3
 Card Information Structure, Glossary-1
 CCS, Glossary-1
 CE logo, 5-2
 Chip Reset (RESET/), 2-5
 CISPR II, 5-2
 CLOCK, 3-6
 Clock (CLOCK), 2-5
 Clock signal, 2-3
 Clock Timing, 4-7
 Compatibility, 5-2
 Configuration, 1-3, 1-4
 Configurations, 1-2
 Connect, Glossary-1
 Connect Cables, 5-6, 5-10
 Connectors, 5-3, 5-7
 Control Signals, 4-3, Glossary-1
 Control/Data (C/D), 2-4
 Controller, Glossary-1

D

D0-D7, Glossary-1
 Data, 2-1, 2-2, 3-4
 Data handshake, 3-3, 3-4
 Data parity bits, 3-4
 DB0-DB7, Glossary-1
 DC Characteristics, 4-1
 De-asserted, Glossary-2
 Decoupling capacitor, 3-1
 Delay settings, 2-2
 Device, Glossary-2
 DIFF SCSI 68-pin Connector, 5-8
 DIFF_MODE, 3-6
 Diff_Mode Control Signal Polarity, 2-5
 DIFF_SENSE, 3-6
 Diff_Sense, 3-6
 Diff_Sense Control Signal Polarity, 2-5
 Differential control, 2-1
 Differential Direction Controls, 2-4

Differential Mode (Diff_Mode), 2-5
 Differential Sense (Diff_Sense), 2-5
 Differential Signals, 4-3
 Dimensions, 5-4, 5-8
 Disable SE-A TERM, 5-5
 Disable SE-B TERM, 5-5
 Disconnect, Glossary-2
 Double clocking of data, 2-1
 Driver, Glossary-2
 Driver direction control, 3-5

E

EEPROM, Glossary-2
 Electrical Characteristics, 4-1, 5-1
 Electromagnetic Compliance, 5-2
 Electrostatic discharge, 4-1
 Enable/disable SCSI transfers, 3-6
 ESD, 4-1
 External differential transceiver, 2-4
 External SCSI bus, 1-4
 External Termination Control Connector, 5-5, 5-9

F

Fault, 5-5
 FCC Class B, 5-2
 Filter edges, 2-3
 Flammability rating, 5-2
 Free, Glossary-2

G

Gigabyte, Glossary-2
 Glitches, 2-2
 Glossary, Glossary-1
 Green LED, 5-5, 5-9

H

High (logical level), Glossary-2
 Host, Glossary-2
 Host Adapter, Glossary-2
 Hysteresis, 2-2
 Hysteresis of SCSI Receiver, 4-5

I

I/O, Glossary-2

- I/O Cycle, Glossary-3
- I/O Mapped, Glossary-3
- Identification, Glossary-4
- Initiator, Glossary-2
- Input and Output Timings, 4-8
- Input capacitance of I/O pads, 4-3
- Input capacitance of input pads, 4-3
- Input Current as a Function of Input Voltage, 4-6
- Input high voltage, 4-2
- Input low voltage, 4-2
- Input Signals, 4-2
- Input Voltage, 4-1
- Input/Output (I/O), 2-4
- Internal SCSI bus, 1-4
- Internal split ground system, 3-1
- IREQ, Glossary-3
- L**
- Latch-up current, 4-1
- LBA, Glossary-3
- Leading edge filter, 2-4
- Leading edge filtered, 2-3
- LED, 5-1, 5-4, 5-8
- LED Description, 5-5, 5-9
- Load bus, 2-1
- Load bus, 2-3
- Logical Block Address, Glossary-3
- Logical Unit, Glossary-3
- Low (logical level), Glossary-3
- LSB, Glossary-3
- LUN, Glossary-3
- M**
- Mandatory, Glossary-3
- Master reset, 3-6
- Maximum dew point temperature, 5-2
- Memory Cycle, Glossary-3
- Memory Interface, Glossary-3
- Memory Mapped, Glossary-3
- Message (MSG), 2-4
- MHz, Glossary-3
- microsecond, Glossary-3
- Mount Board, 5-6, 5-10
- MSB, Glossary-3
- MSG, Glossary-3
- N**
- nanosecond, Glossary-4
- Negated, Glossary-4
- Negation, Glossary-4
- ns, Glossary-4
- O**
- Operating Conditions, 4-1
- Operating free air, 4-1
- Operational Characteristics, 5-2
- Output Current as a Function of Output Voltage, 4-6
- Output high voltage, 4-2
- Output low voltage, 4-2
- P**
- Parallel function, 2-3, 2-4
- Parity, 2-1, 2-2, Glossary-4
- PC, Glossary-4
- Performance Characteristics, 5-2
- Peripheral device, Glossary-4
- Phase, Glossary-4
- Phase line, 3-3, 3-4
- Physical Characteristics, 5-4, 5-8
- Physical Environment, 5-4, 5-8
- Plastic Quad Flat Pack (PQFP), 3-1
- Port, Glossary-4
- Power Connector, 5-4, 5-8
- Power On Reset (POR), 2-5
- Power-down, 2-2
- Power-up, 2-2
- Precision delay control, 2-1
- Precision delay control block, 2-2
- Precision delay elements, 2-2
- Priority, Glossary-4
- Protocol, Glossary-4
- Pull-down, 2-3, 2-4
- Pull-up, 2-3, 2-4
- Pulse width, 2-3
- R**
- RC-type input filters, 2-1
- Receiver, Glossary-4

Receiver latch, 2-3
 Reconnect, Glossary-4
 Recovery, 2-4
 Relative Humidity range, 5-2
 Relative humidity range, 5-2
 Release, Glossary-4
 Reliability issue, 2-1
 Remote termination, 5-1
 REQ, 2-3, Glossary-4
 Request, 2-1
 Request (REQ), 2-3
 Reselect, Glossary-4
 Reserved, Glossary-4
 RESET, 2-5, Glossary-4
 Reset (RST), 2-4
 RESET/, 3-6
 RESET/ Control Signal Polarity, 2-5
 Re-timing, 2-3
 Re-timing circuit, 2-1
 Re-timing logic block, 2-2
 Rise and Fall Time Test Conditions, 4-5
 RST, Glossary-4

S

Safety Characteristics, 5-2
 Scalable device connectivity, 1-2
 SCAM support, 2-4
 SCSI, Glossary-5
 TolerANT technology, 2-1
 SCSI A Signal Description, 3-3
 SCSI Address, Glossary-4
 SCSI A-side, 1-1, 2-2
 SCSI B-side, 1-1, 2-2
 SCSI bus disable mode, 1-1, 1-2
 SCSI bus electrical isolation, 1-1, 1-4
 SCSI bus free state, 2-6
 SCSI bus protocol, 2-2, 2-4
 SCSI Busy LED, 5-5, 5-9
 SCSI Connectors, 5-4, 5-8
 SCSI Connectors J2 and J3, 5-4, 5-8
 SCSI Device ID, Glossary-4
 SCSI I/O logic, 2-4
 SCSI ID, 1-1, 5-2, 5-3, 5-7, Glossary-4
 SCSI Interface Timings, 4-8

SCSI phases, 2-2
 SCSI Signals, 4-2
 SCSI Terminators Signals, 5-8
 SEL, 2-4, Glossary-5
 Select (SEL), 2-3, 2-4
 Set Switches, 5-6, 5-10
 Signal Descriptions, 3-1
 Signal groupings, 2-2
 Signal skew, 2-1
 Single-ended configuration, Glossary-5
 Single-ended control blocks, 2-1
 Single-ended to differential, 1-1, 1-3, 2-2
 Single-ended to single-ended, 1-1, 1-3, 2-1
 Software, 1-1, 2-1
 Software Requirements, 5-6, 5-10
 Source bus, 2-1, 2-3
 State, 2-4
 State machines, 2-3
 State-machine control, 2-1
 State-machine controls, 2-2
 Storage Temperature, 5-2
 Storage temperature, 4-1
 Supply voltage, 4-1
 Switches, 5-5, 5-9
 SYM20101 Board Installation, 5-6
 SYM20101 Extender, 5-1
 SYM20101 Extender board, 5-3
 SYM20102 Board Installation, 5-10
 SYM20102 Converter, 5-1
 SYM20102 Converter board, 5-7
 SYM2010x Boards, 5-1
 SYM2010x family of SCSI boards, 5-1
 SYM53C120 Block Diagram, 2-1
 SYM53C120 Functional Signal Grouping, 3-2
 SYM53C120 Pin Diagram, 3-1
 SYM53C120 SCSI Buddy, 1-1
 SYM53C120 Signal Grouping, 2-2
 Synchronous, 1-1
 Synchronous transmission, Glossary-5

T

Target, Glossary-5
 Temperature, 2-2
 Temperature range, 5-2

Termination, Glossary-5
Termination Control Connector, 5-5
Termination Interface, 5-5, 5-9
TERMINATION POWER, 5-5
TERMPWR, 5-1, 5-8
Thermal resistance, 4-1
Thermal, Atmospheric Characteristics, 5-2
TolerANT receiver technology, 2-1
TolerANT SCSI, 2-2
TolerANT Technology, 2-1
 Benefits, 2-2
 Electrical characteristics, 4-4
TolerANT® Drivers and Receivers, 2-1
TolerANT® technology, 1-2, 2-1
Tri-state, 2-3
Tri-state leakage, 4-2
Typical applications, 1-2

U

UL flammability rating, 5-2
Ultra SCSI bus, 1-2

V

VCCI, 5-2
VDD_CORE, 3-6
VDD_IO, 3-6
VDD-SCSI, 3-6
Vendor unique, Glossary-5
Voltage, 2-2
VSS_CORE, 3-6
VSS_IO, 3-6
VSS-SCSI, 3-6

W

Warm Start Enable and Transfer
 Active (WS_ENABLE
 and XFER_ACTIVE), 2-6
Wide Ultra SCSI, 1-1, 2-1, 5-1
WS_ENABLE, 2-6, 3-6
WS_ENABLE Signal Polarity, 2-6

X

XFER_ACTIVE, 2-6, 3-6
XFER_ACTIVE Signal Polarity, 2-6

Y

Yellow LEDs, 5-5, 5-9

Symbios Logic Sales Locations

For literature on any Symbios Logic product or service,
call our hotline toll-free
1-800-856-3093

North American Sales Locations

Western Sales Area

1731 Technology Drive, Suite 610
San Jose, CA 95110
(408) 441-1080

3300 Irvine Avenue, Suite 255
Newport Beach, CA 92660
(714) 474-7095

Eastern Sales Area

8000 Townline Avenue, Suite 209
Bloomington, MN 55438-1000
(612) 941-7075

12377 MERIT DRIVE, Suite 400
Dallas, TX 75251
(972) 503-3205

92 Montvale Avenue, Suite 3500
Stoneham, MA 02180-3623
(781) 438-0043

30 Mansell Court, Suite 220
Roswell, GA 30076
(404) 641-8001

International Sales Locations

European Sales Headquarters

Westendstrasse 193\III
80686 Muenchen
Germany
011-49-89-547470-0

Asia/Pacific Sales Headquarters

No. 6 Raffles Boulevard
#02-256
Marina Square
Singapore 039594
011-65-337594



© Symbios Logic Inc.
Printed in the U.S.A.
T14971I
0897-2MH

SYM53C120 SCSI Bus Expander & SYM2010x Boards Version 3.0

Symbios Logic