

BLB102MGC-12V-P

MEGA GREEN

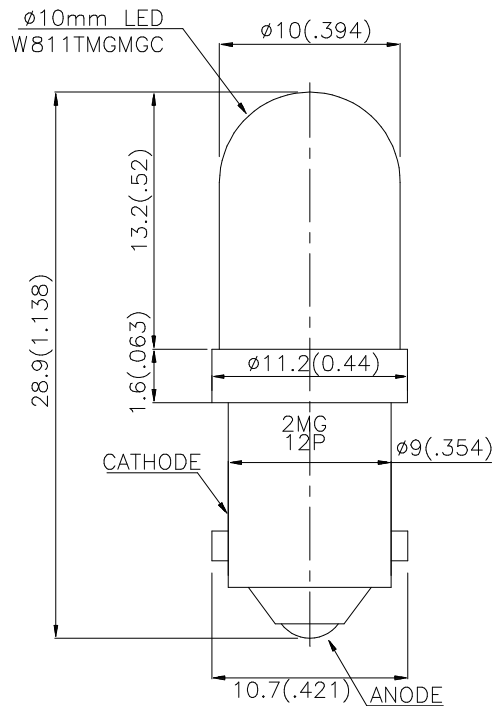
Features

- BUILT-IN CURRENT LIMITING RESISTOR FOR DIRECT APPLICATION OF DIFFERENT ACROSS CURRENT.
- LONG LIFE.
- LOW CURRENT, POWER SAVINGS.
- LOW MAINTENANCE.
- SOLID STATE, HIGH VIBRATION RESISTANT.
- 12V INTERNAL RESISTOR.

Description

The Mega Green source color devices are made with DH InGaAlP on GaAs substrate Light Emitting Diode.

Package Dimensions



Notes:

1. All dimensions are in millimeters (inches).
2. Tolerance is ± 0.25 (0.01") unless otherwise noted.
3. Specifications are subject to change without notice.

Selection Guide

Part No.	Dice	Lens Type	Iv (mcd) V=12V		Viewing Angle
			Min.	Typ.	2θ1/2
BLB102MGC-12V-P	MEGA GREEN (InGaAlP)	WATER CLEAR	280	800	40°

Note:

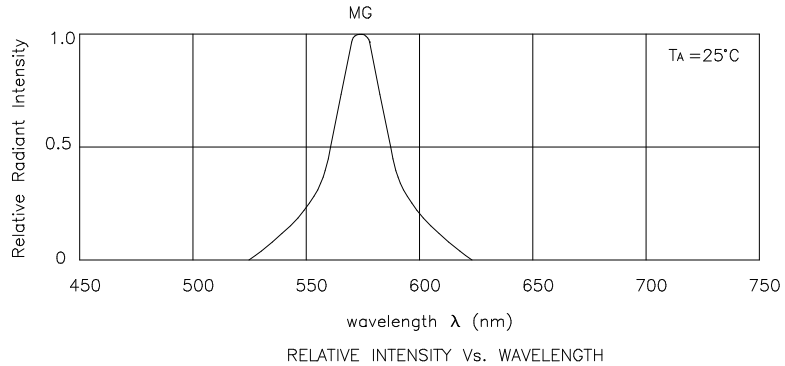
1. θ1/2 is the angle from optical centerline where the luminous intensity is 1/2 the optical centerline value.

Electrical / Optical Characteristics at T_A=25°C

Symbol	Parameter	Device	Typ.	Max.	Units	Test Conditions
λ _{peak}	Peak Wavelength	Mega Green	574		nm	V _F =12V
λ _D	Dominate Wavelength	Mega Green	568		nm	V _F =12V
Δλ _{1/2}	Spectral Line Half-width	Mega Green	26		nm	V _F =12V
I _F	Forward Current	Mega Green	24		mA	V _F =12V
C	Capacitance	Mega Green	20		pF	V _F =0V, f=1MHz
I _R	Reverse Current	Mega Green		10	μA	V _R =5V

Absolute Maximum Ratings at T_A=25°C

Parameter	Mega Green	Units
Power dissipation	360	mW
DC Forward Voltage	14	V
Reverse Voltage	5	V
Operating Temperature	-40 To +70	°C
Storage Temperature	-40 To +85	°C



Mega Green BLB102MGC-12V-P

