



Series SSC

Solid State DC Contactor

25Amp • 0-1000 Vdc • DC Output

- IGBT Output
- Panel Mount
- High Voltage
- Internal Overvoltage Protection Available
- Control Voltage 12Vdc, 24Vdc, 36Vdc

Series SSC solid state DC contactors feature IGBT technology for high voltage DC switching applications. All models come in Crydom's standard panel-mount package. Manufactured in Crydom's ISO 9001 Certified facility for optimum product performance and reliability.

OUTPUT SPECIFICATIONS^①

MODEL NUMBERS	SSC800-25	SSC1000-25
Operating Voltage Range [Vdc]	0-800	0-1000
Maximum Transient Voltage [Vpk]	900 ^④	1200 ^⑤
Max. Load Current ^③ [Adc]	25	25
Min. Load Current [mA]	20	20
Max. Surge Current, [Adc] (10msec)	75	75
Max. On-State Voltage Drop @ Rated Current [Vdc]	1.6	1.6
Thermal Resistance Junction to Case [R _{θJC}] C/W	0.8	0.8
Max. Off-State Leakage Current @ Rated Voltage [mA]	0.3	0.3
Max. Turn-On Time [msec]	1.5	1.5
Max. Turn-Off Time [msec]	1.5	1.5

INPUT SPECIFICATIONS^①

	12	24	36
Nominal Control Voltage [Vdc] ^⑥	12	24	36
Control Voltage Range [Vdc]	8-16	20-28	32-40
Maximum Turn-On Voltage [Vdc]	8	20	32
Minimum Turn-Off Voltage [Vdc]	1	1	1
Nominal Input Impedance [Ohm]	780	1500	2,400
Typical Input Current at Nominal Voltage [mA]	15	15	15

GENERAL NOTES

- ① All parameters at 25°C unless otherwise specified.
- ② Dielectric strength and insulation resistance are measured between input and output.
- ③ Heat sinking required, for derating curves see page 2.
- ④ Internal overvoltage protection included.
- ⑤ Internal overvoltage protection not included.
- ⑥ Use suffix -12, -24 or -36 to specify control voltage. For other values call factory
Sample: **SSC800-25-24**.

© 2003 CRYDOM CORP, Specifications subject to change without notice.





Control over power

Series SSC

Solid State DC Contactor

25Amp • 0-1000 Vdc • DC Output

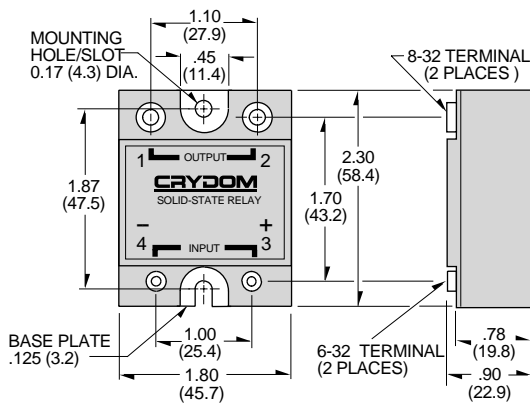
GENERAL SPECIFICATIONS

Dielectric Strength 60Hz	2500 Vrms
Insulation Resistance (Min.) @ 500 Vdc	10 ⁹ Ohm
Max. Capacitance Input/Output	50 pF
Ambient Operating Temperature Range	-30 to 80°C
Ambient Storage Temperature Range	-40 to 125°C

MECHANICAL SPECIFICATIONS

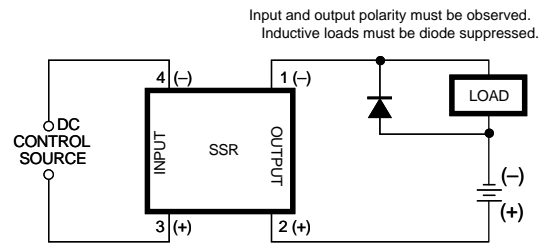
Weight: (typical)	3.0 oz. (86.5g)
Encapsulation:	Thermally Conductive Epoxy
Terminals:	Screws and Saddle Clamps Furnished, Unmounted

MECHANICAL SPECIFICATIONS



Screw Torque Requirements: 6-32 Screws - 10 in. lbs., 8-32 - 20in. lbs. (Screws dry without grease.)

WIRING CONNECTIONS

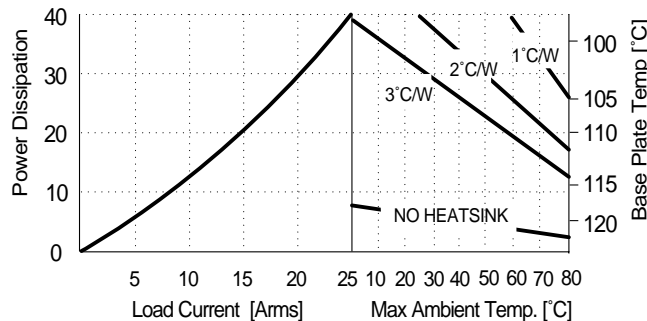


Transient Protection

All loads are inductive, even ones that are not so labeled. An inductive load will produce harmful transient voltages when it is turned off. The more perfect the switch, the larger the transient voltages; the IGBT output is so nearly an ideal switch that the transient voltages produced by seemingly "non-inductive" loads can cause damage if not suppressed. Diodes should be fast recovery type with PIV rated greater than supply voltage.

CURRENT DERATING CURVE

25A



©2003 CRYDOM CORP, Specifications subject to change without notice.

For recommended applications and more information contact:

USA: Sales Support (877) 502-5500 Tech Support (877) 702-7700 FAX (619) 710-8540

Crydom Corp, 2320 Paseo de las Americas, Ste. 201, San Diego, CA 92154

Email: sales@crydom.com WEB SITE: <http://www.crydom.com>

UK: +44 (0)1202 365070 • FAX +44 (0)1202 365090 Crydom International Ltd., 7 Cobham

Road, Ferndown Industrial Estate, Ferndown, Dorset BH21 7PE, Email: intsales@crydom.com.

GERMANY: +49 (0)180 3000 506

