



Control over power

Series CTX

4 x 2.5 Amp • 120/240 Vac • TRIAC Output

• **4 AC Relays in One Compact PCB Mount Package**

• **Crydom's Patented Design**

The CTX240D3Q offers four independently controlled solid state relays in one compact PCB mount package. Based on the proven Series CX package the CTX features extra low leakage

and 4-10 Vdc logic compatible input. The CTX exhibits exceptional steady state ratings utilizing high efficiency thermal management for increased cycle life.

Manufactured in Crydom's ISO 9002 Certified facility for optimum product performance and reliability.

| MODEL NO. | ZERO-CROSS SWITCH CTX240D3Q | RANDOM SWITCH CTX240D3QR |
|--|---|-----------------------------|
| INPUT SPECIFICATIONS ①③ | | |
| Control Voltage Range | 4-10 Vdc | |
| Nominal Input Impedance | 270 Ohm | |
| Typical Input Current (@ 5 Vdc) | 15 mAdc | |
| Must Turn On Voltage | 4.0 Vdc | |
| Must Turn Off Voltage | 1.0 Vdc | |
| OUTPUT SPECIFICATIONS ①③ | | |
| Operating Voltage Range | 24-280 Vrms | |
| Load Current Range per Section (Figure 1) | 1 Section ON; 0.1-6.0 Arms 2 Sections ON; 0.1-4.0 Arms 3 Sections ON; 0.1-3.0 Arms 4 Sections ON; 0.1-2.5 Arms | |
| Surge Current, 1 Cycle (Max.) | 120 Apk | |
| Transient Over-Voltage | 600 Vpk | |
| Frequency Range | 47-63 | |
| Off-State dv/dt (Min.) ② | 200 V/μsec | |
| Off-State Leakage (Max.) @ Nominal Voltage | 0.1 mArms | |
| On-State Voltage Drop (Max.) | 1.4 Vpk | |
| i ² t Max. @ t = 8.3 msec. | 60 A ² sec | |
| Max. Turn-On Time | 1/2 Cycle | 0.1msec |
| Max. Turn-Off Time | 1/2 Cycle | |
| Power Factor (Min.) With Max. Load | 0.5 | |

©2001 CRYDOM CORP, Specifications subject to change without notice.





Series CTX

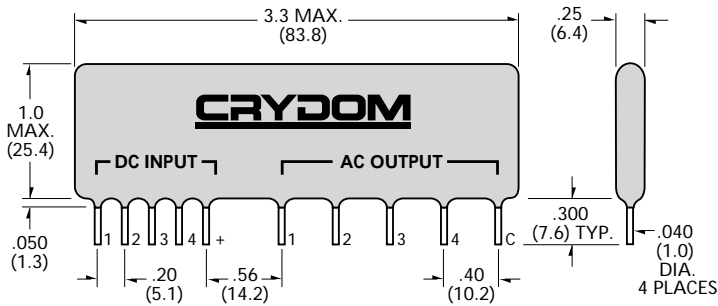
4 x 2.5 Amp • 120/240 Vac • TRIAC Output

GENERAL SPECIFICATIONS

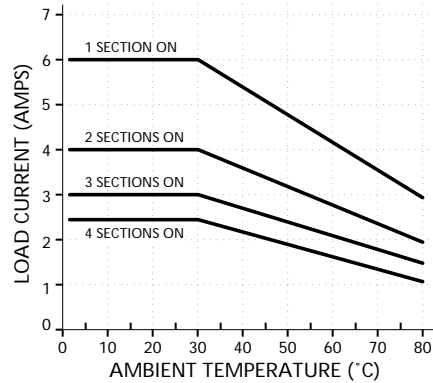
| | |
|--|---------------------|
| Dielectric (Min.) | 2500 Vrms |
| Insulation Resistance (Min.) @ 500 Vdc | 10 ⁹ Ohm |
| Capacitance (Max.) | 10 pF |
| Ambient Operating Temperature Range | -30 to 80°C |
| Ambient Storage Temperature Range | -30 to 125°C |

MECHANICAL SPECIFICATIONS

| | |
|-------------------|----------------------------|
| Weight: (typical) | 0.5 oz. (14.4g) |
| Encapsulation: | Thermally Conductive Epoxy |



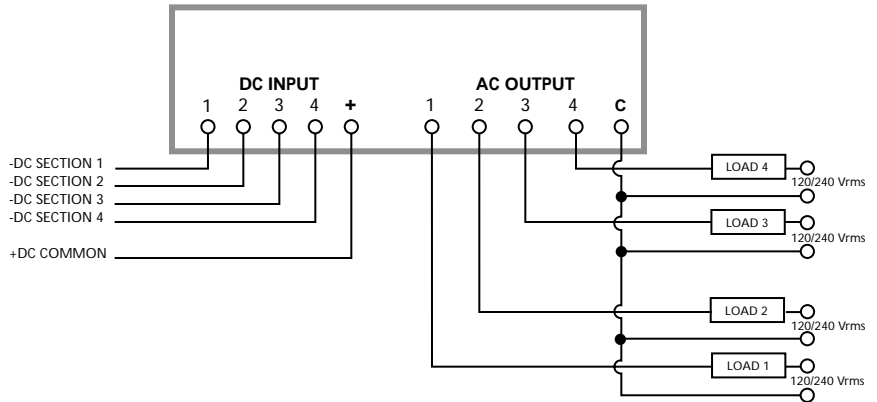
CURRENT DERATING CURVE



GENERAL NOTES

- ① All parameters at 25°C unless otherwise specified.
- ② Off-State dv/dt test method per EIA/NARM standard RS-443, paragraph 13.11.1
- ③ All specifications are per section unless otherwise noted.

WIRING DIAGRAM



©2001 CRYDOM CORP, Specifications subject to change without notice.

