



## 2Mbps, Single Pair HDSL ANALOG FRONT END

### FEATURES

- E1/T1 SINGLE PAIR 2B1Q OPERATION
- COMPLETE ANALOG INTERFACE
- 385mW POWER DISSIPATION
- PROGRAMMABLE POWER
- 48-LEAD SSOP PACKAGE
- SCALEABLE DATA RATE
- OPERATION FROM 2.3Mbps TO 160kbps
- +5V ONLY (5V OR 3.3V DIGITAL)
- -40°C TO +85°C OPERATION

### DESCRIPTION

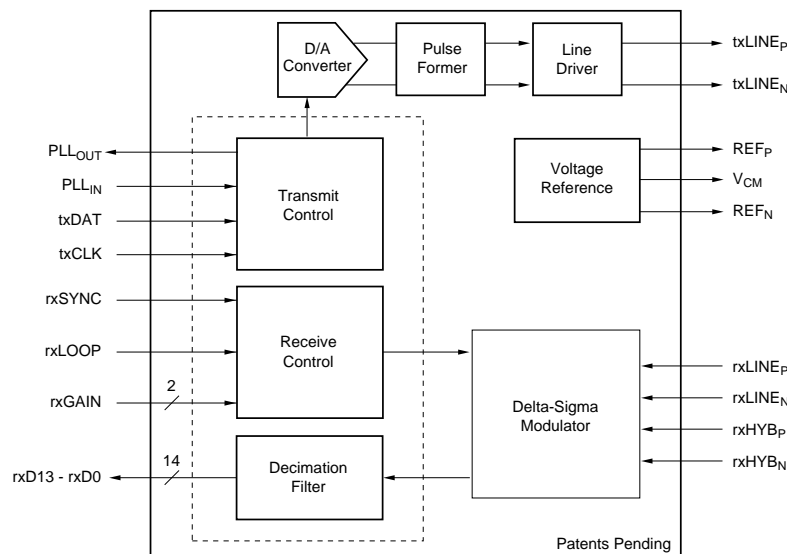
Burr-Brown's Analog Front End greatly reduces the size and cost of a single pair HDSL (High bit rate Digital Subscriber Line) system by providing all of the active analog circuitry needed to connect an HDSL digital signal processor to an external compromise hybrid and an HDSL line transformer. The transmit and receive filter responses automatically change with clock frequency, allowing the AFE1205 to operate over a wide range of data rates. The power dissipation of the device can be reduced under digital control for operation at lower speeds. The AFE1205 will operate at bit rates from 160kbps to 2.3Mbps. It meets ETSI PSD specifications for single pair E1, as well as ETSI and ANSI PSD specifications for two pair E1 and T1.

Functionally, this unit consists of a transmit and a receive section. The transmit section generates, filters, and buffers outgoing 2B1Q data. The receive section filters and digitizes the symbol data received on the telephone line. This IC operates

on a single 5V supply. The digital circuitry in the unit can be connected to a supply from 3.3V to 5V. The chip uses only 385mW for full-speed operation. It is housed in a small 48-lead SSOP package.

The receive channel is designed around a fourth-order delta-sigma analog-to-digital converter. It includes a difference amplifier designed to be used with an external compromise hybrid for first-order analog echo cancellation. A programmable gain amplifier with gains 0dB to +9dB is also included. The delta-sigma modulator, operating at a 24X oversampling ratio, produces a 14-bit output at symbol rates up to 1168kHz (for 2.3Mbps operation).

The transmit channel consists of a digital-to-analog converter and switched-capacitor pulse forming network followed by a differential line driver. The pulse forming network receives symbol data and generates a standard 2B1Q output waveform. The differential line driver uses a composite output stage combining class B operation (for high efficiency driving large signals) with class AB operation (to minimize crossover distortion).



# SPECIFICATIONS

Typical at 25°C, AV<sub>DD</sub> = +5V, DV<sub>DD</sub> = +3.3V, f<sub>ix</sub> = 1168kHz (E1 single pair rate) and Normal Power mode, unless otherwise specified.

| PARAMETER                              | COMMENTS  | AFE1205E                       |                     |                        | UNITS               |
|--|---|--------------------------------|---------------------|------------------------|---------------------|
|  |   | MIN                            | TYP                 | MAX                    |                     |
| <b>RECEIVE CHANNEL</b>                 |   |                                |                     |                        |                     |
| Number of Inputs                       | Differential  | 2                              |                     |                        |                     |
| Input Voltage Range                    | Balanced Differential <sup>(1)</sup>                      |                                | ±3.0                |                        | V                   |
| Common-Mode Voltage                    | 1.5V CMV Recommended                                      |                                | +1.5                |                        | V                   |
| Input Impedance                        | All Inputs  | See Typical Performance Curves |                     |                        |                     |
| Input Capacitance                      |   |                                | 10                  |                        | pF                  |
| Input Gain Matching                    | Line Input vs Hybrid Input                                |                                | ±2                  |                        | %                   |
| Resolution                             |   | 14                             |                     |                        | Bits                |
| Programmable Gain                      | Four Gains: 0dB, 3.25dB, 6dB, and 9dB                     |                                |                     |                        |                     |
| Settling Time                          | Gain, rxSYNC, or Power Mode Change <sup>(8)</sup>         |                                | 6                   |                        | Symbol Periods      |
| Gain + Offset Error                    | Tested at Each Gain Range                                 |                                | 5                   |                        | %FSR <sup>(2)</sup> |
| Output Data Coding                     |   | Binary Two's Complement        |                     |                        |                     |
| Data Rate                              | Normal Power  | 384                            |                     | 2320                   | kbps                |
|  | Medium Power  | 192                            |                     | 1168                   | kbps                |
|  | Low Power   | 160                            |                     | 320                    | kbps                |
| Output Word Rate                       | Normal Power, rxSYNC <sup>(3)</sup>                       | 196                            |                     | 1168                   | kHz                 |
| <b>TRANSMIT CHANNEL</b>                |   |                                |                     |                        |                     |
| Transmit Clock Rate, f <sub>TX</sub>   | Symbol Rate, Normal Power                                 | 196                            |                     | 1168                   | kHz                 |
|  | Symbol Rate, Medium Power                                 | 96                             |                     | 584                    | kHz                 |
|  | Symbol Rate, Low Power                                    | 80                             |                     | 160                    | kHz                 |
| Transmit -3dB Point                    | 2320kbps  |                                | 485                 |                        | kHz                 |
|  | 1168kbps  |                                | 292                 |                        | kHz                 |
|  | 784kbps   |                                | 196                 |                        | kHz                 |
| Transmit Power <sup>(5)</sup>          |   | 13                             | 13.5                | 14                     | dBm                 |
| Pulse Output                           |   | See Typical Performance Curves |                     |                        |                     |
| Common-Mode Voltage, V <sub>CM</sub>   |   |                                | AV <sub>DD</sub> /2 |                        | V                   |
| Output Resistance <sup>(5)</sup>       | DC to 1MHz  |                                | 1                   |                        | Ω                   |
| <b>TRANSCEIVER PERFORMANCE</b>         |   |                                |                     |                        |                     |
| Uncancelled Echo <sup>(6)</sup>        | rxGAIN = 0dB, Loopback Enabled                            |                                |                     | -67                    | dB                  |
|  | rxGAIN = 0dB, Loopback Disabled                           |                                |                     | -67                    | dB                  |
|  | rxGAIN = 3.25dB, Loopback Disabled                        |                                |                     | -69                    | dB                  |
|  | rxGAIN = 6dB, Loopback Disabled                           |                                |                     | -71                    | dB                  |
|  | rxGAIN = 9dB, Loopback Disabled                           |                                |                     | -73                    | dB                  |
| <b>DIGITAL INTERFACE<sup>(5)</sup></b> |   |                                |                     |                        |                     |
| Logic Levels                           |   |                                |                     |                        |                     |
| V <sub>IH</sub>                        | I <sub>IH</sub>   < 10μA                                  | DV <sub>DD</sub> - 1           |                     | DV <sub>DD</sub> + 0.3 | V                   |
| V <sub>IL</sub>                        | I <sub>IL</sub>   < 10μA                                  | -0.3                           |                     | +0.8                   | V                   |
| V <sub>OH</sub>                        | I <sub>OH</sub> = -20μA                                   | DV <sub>DD</sub> - 0.5         |                     |                        | V                   |
| V <sub>OL</sub>                        | I <sub>OL</sub> = 20μA                                    |                                |                     | +0.4                   | V                   |
| <b>POWER</b>                           |   |                                |                     |                        |                     |
| Analog Power Supply Voltage            | Specification   |                                | 5                   |                        | V                   |
|  | Operating Range   | 4.75                           |                     | 5.25                   | V                   |
| Digital Power Supply Voltage           | Specification   |                                | 3.3                 |                        | V                   |
|  | Operating Range   | 3.15                           |                     | 5.25                   | V                   |
| Power Dissipation <sup>(4, 7)</sup>    | Normal Power, 1:2 Line Transformer                        |                                | 385                 |                        | mW                  |
|  | Medium Power, 1:2 Line Transformer                        |                                | 300                 |                        | mW                  |
|  | Low Power, 1:2 Line Transformer                           |                                | 240                 |                        | mW                  |
| Power Dissipation <sup>(7)</sup>       | Normal Power, DV <sub>DD</sub> = 5V, 1:2 Line Transformer |                                | 415                 |                        | mW                  |
| PSRR                                   |   |                                | 55                  |                        | dB                  |
| <b>TEMPERATURE RANGE</b>               |   |                                |                     |                        |                     |
| Operating <sup>(5)</sup>               |   | -40                            |                     | +85                    | °C                  |

NOTES: (1) With a balanced differential signal, the positive input is 180° out of phase with the negative input, therefore the actual voltage swing about the common mode voltage on each pin is ±1.5V to achieve a differential input range of ±3.0V or 6Vp-p. (2) FSR is Full-Scale Range. (3) The output data is available at twice the symbol rate with interpolated values. (4) With a pseudo-random equiprobable sequence of HDSL pulses; 13.5dBm applied to the transformer (27dBm output from txLINE<sub>P</sub> and txLINE<sub>N</sub>). (5) Guaranteed by design and characterization. (6) Uncancelled Echo is a measure of the total analog errors in the transmitter and receiver sections including the effect of non-linearity and noise. See the Discussion of Specifications section of this data sheet for more information. (7) Power dissipation includes only the power dissipated within the component and does not include power dissipated in the external loads. The AFE1205 is tested with a 1:2 line transformer. (8) This is the settling time required for any gain change, change of rxSYNC or any change of power mode.

## PIN DESCRIPTIONS

| PIN # | TYPE   | NAME                | DESCRIPTION  |
|-------|--------|---------------------|--|
| 1     | Ground | AGND                | Analog Ground for PLL  |
| 2     | Power  | AV <sub>DD</sub>    | Analog Supply (+5V) for PLL                                      |
| 3     | Input  | txCLK               | Symbol Clock   |
| 4     | Ground | DGND                | Digital Ground   |
| 5     | Input  | txDAT               | XMTDA from Mth1210B  |
| 6     | Output | rxD0                | ADC Output Bit 0   |
| 7     | Output | rxD1                | ADC Output Bit 1   |
| 8     | Output | rxD2                | ADC Output Bit 2   |
| 9     | Output | rxD3                | ADC Output Bit 3   |
| 10    | Output | rxD4                | ADC Output Bit 4   |
| 11    | Output | rxD5                | ADC Output Bit 5   |
| 12    | Ground | DGND                | Digital Ground   |
| 13    | Power  | DV <sub>DD</sub>    | Digital Supply (+3.3V to +5V)                                    |
| 14    | Output | rxD6                | ADC Output Bit 6   |
| 15    | Output | rxD7                | ADC Output Bit 7   |
| 16    | Output | rxD8                | ADC Output Bit 8   |
| 17    | Output | rxD9                | ADC Output Bit 9   |
| 18    | Output | rxD10               | ADC Output Bit 10  |
| 19    | Output | rxD11               | ADC Output Bit 11  |
| 20    | Output | rxD12               | ADC Output Bit 12  |
| 21    | Output | rxD13               | ADC Output Bit 13  |
| 22    | Input  | PWSEL               | Power Control  |
| 23    | Input  | rxSYNC              | ADC Sync Signal  |
| 24    | Input  | rxGAIN0             | Receive Gain Control Bit 0                                       |
| 25    | Input  | rxGAIN1             | Receive Gain Control Bit 1                                       |
| 26    | Input  | rxLOOP              | Loopback Control Signal (loopback is enabled by positive signal) |
| 27    | Power  | AV <sub>DD</sub>    | Analog Supply (+5V)  |
| 28    | Input  | rxHYB <sub>N</sub>  | Negative Input from Hybrid Network                               |
| 29    | Input  | rxHYB <sub>P</sub>  | Positive Input from Hybrid Network                               |
| 30    | Input  | rxLINE <sub>N</sub> | Negative Line Input  |
| 31    | Input  | rxLINE <sub>P</sub> | Positive Line Input  |
| 32    | Ground | AGND                | Analog Ground  |
| 33    | Ground | AGND                | Analog Ground  |
| 34    | Output | REF <sub>P</sub>    | Positive Reference Output, Nominally 3.5V                        |
| 35    | Output | V <sub>CM</sub>     | Common-Mode Voltage (buffered), Nominally 2.5V                   |
| 36    | Output | REF <sub>N</sub>    | Negative Reference Output, Nominally 1.5V                        |
| 37    | Power  | AV <sub>DD</sub>    | Analog Supply (+5V)  |
| 38    | Ground | AGND                | Analog Ground  |
| 39    | Output | txLINE <sub>N</sub> | Transmit Line Output Negative                                    |
| 40    | Power  | AV <sub>DD</sub>    | Analog Supply (+5V)  |
| 41    | Output | txLINE <sub>P</sub> | Transmit Line Output Positive                                    |
| 42    | Ground | AGND                | Analog Ground  |
| 43    | NC     | NC                  | Connection to Ground Recommended                                 |
| 44    | NC     | NC                  | Connection to Ground Recommended                                 |
| 45    | NC     | NC                  | Connection to Ground Recommended                                 |
| 46    | NC     | NC                  | Connection to Ground Recommended                                 |
| 47    | Output | PLL <sub>OUT</sub>  | PLL Filter Output  |
| 48    | Input  | PLL <sub>IN</sub>   | PLL Filter Input   |

The information provided herein is believed to be reliable; however, BURR-BROWN assumes no responsibility for inaccuracies or omissions. BURR-BROWN assumes no responsibility for the use of this information, and all use of such information shall be entirely at the user's own risk. Prices and specifications are subject to change without notice. No patent rights or licenses to any of the circuits described herein are implied or granted to any third party. BURR-BROWN does not authorize or warrant any BURR-BROWN product for use in life support devices and/or systems.

## ABSOLUTE MAXIMUM RATINGS

|   |  |
|---|--|
| Analog Inputs: Current .....                          | ±100mA, Momentary<br>±10mA, Continuous |
| Voltage .....   | AGND -0.3V to AV <sub>DD</sub> + 0.3V  |
| Analog Outputs Short Circuit to Ground (+25°C) .....  | Continuous                             |
| AV <sub>DD</sub> to AGND .....                        | -0.3V to 6V                            |
| DV <sub>DD</sub> to DGND .....                        | -0.3V to 6V                            |
| PLL <sub>IN</sub> or PLL <sub>OUT</sub> to AGND ..... | -0.3V to AV <sub>DD</sub> + 0.3V       |
| Digital Input Voltage to DGND .....                   | -0.3V to DV <sub>DD</sub> + 0.3V       |
| Digital Output Voltage to DGND .....                  | -0.3V to DV <sub>DD</sub> + 0.3V       |
| AGND, DGND Differential Voltage .....                 | 0.3V                                   |
| Junction Temperature (T <sub>J</sub> ) .....          | +150°C                                 |
| Storage Temperature Range .....                       | -40°C to +125°C                        |
| Lead Temperature (soldering, 3s) .....                | +260°C                                 |
| Power Dissipation .....                               | 700mW                                  |

## PACKAGE/ORDERING INFORMATION

| PRODUCT  | PACKAGE      | PACKAGE DRAWING NUMBER <sup>(1)</sup> | TEMPERATURE RANGE |
|----------|--------------|---------------------------------------|-------------------|
| AFE1205E | 48-Lead SSOP | 333                                   | -40°C to +85°C    |

NOTE: (1) For detailed drawing and dimension table, please see end of data sheet, or Appendix C of Burr-Brown IC Data Book.

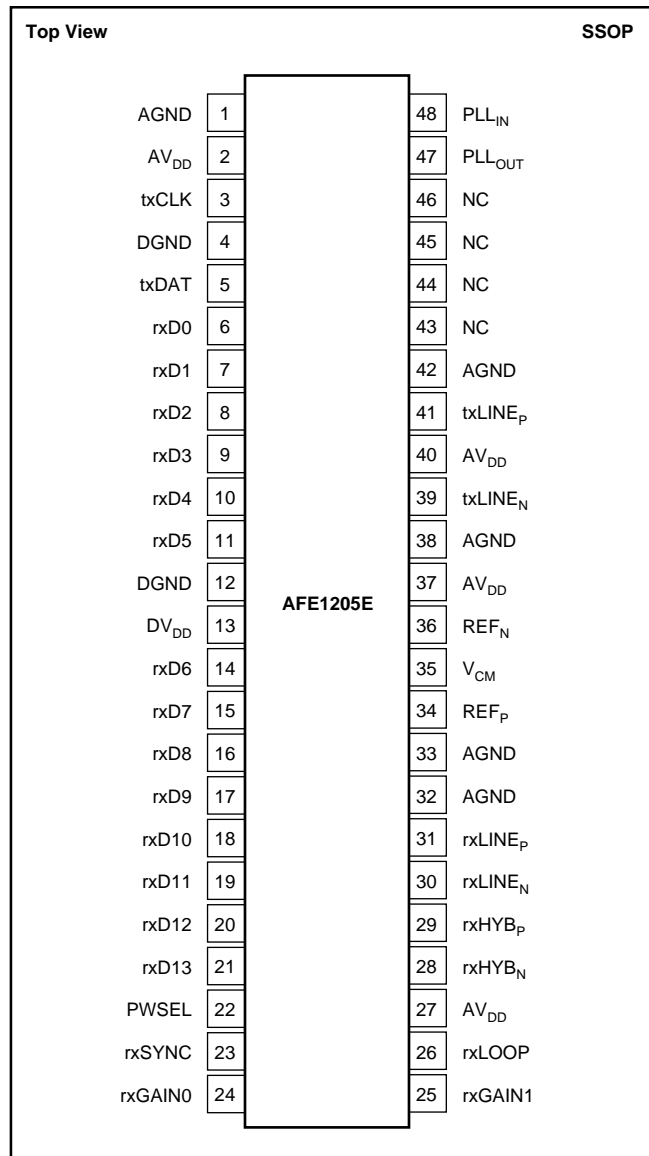


## ELECTROSTATIC DISCHARGE SENSITIVITY

This integrated circuit can be damaged by ESD. Burr-Brown recommends that all integrated circuits be handled with appropriate precautions. Failure to observe proper handling and installation procedures can cause damage.

ESD damage can range from subtle performance degradation to complete device failure. Precision integrated circuits may be more susceptible to damage because very small parametric changes could cause the device not to meet its published specifications.

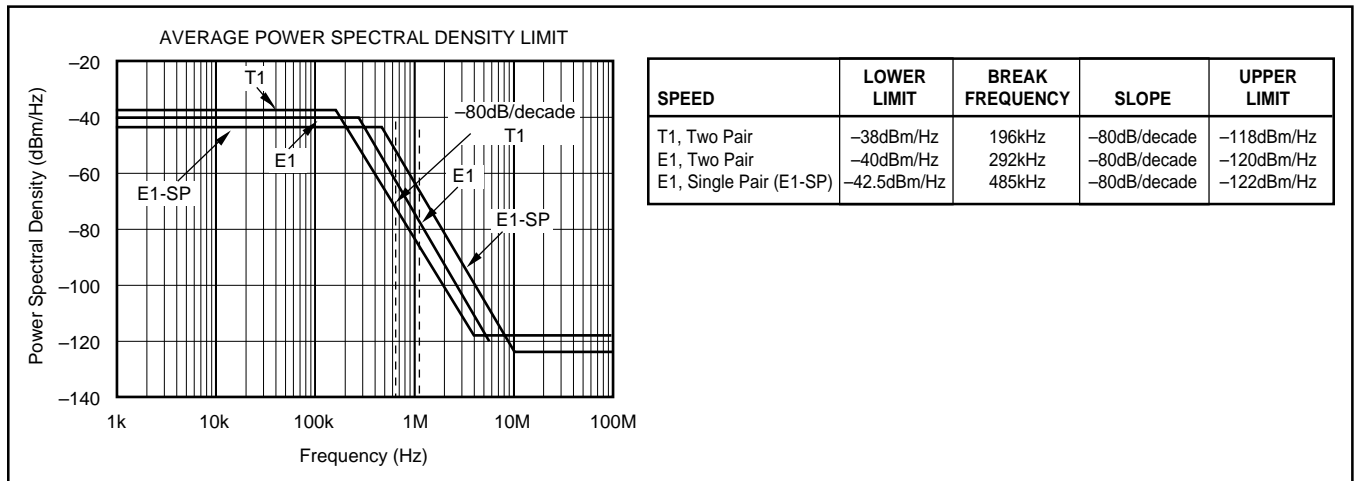
## PIN CONFIGURATION



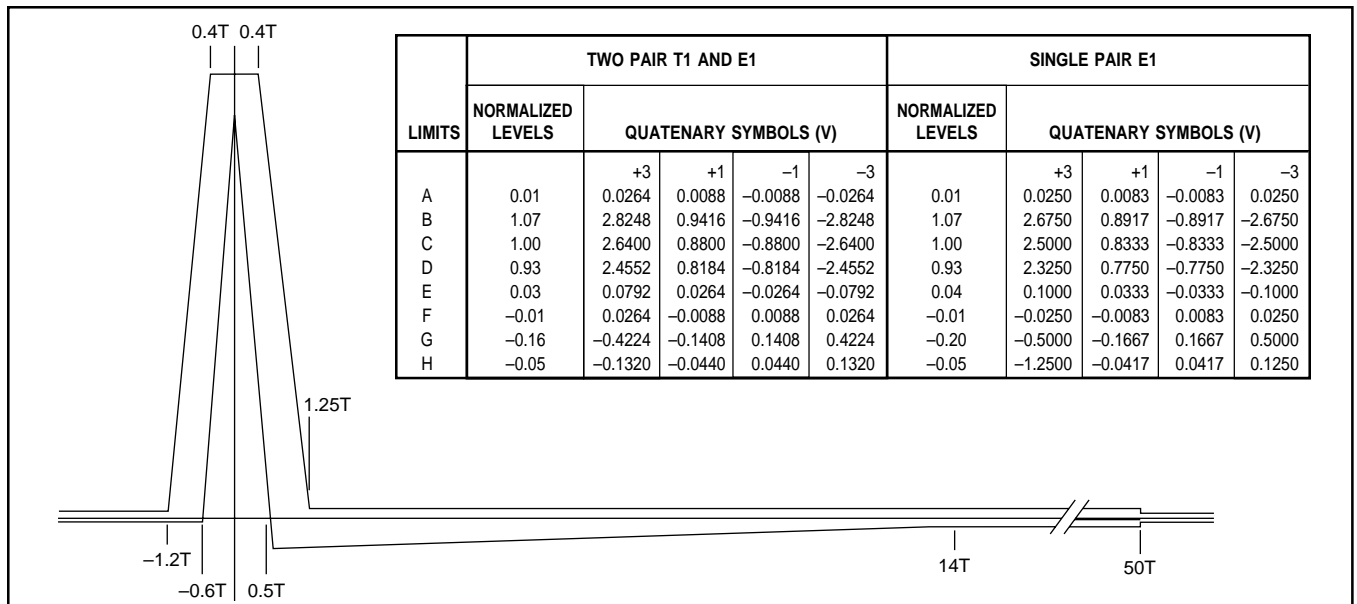
# TYPICAL PERFORMANCE CURVES

## At Output of Pulse Transformer

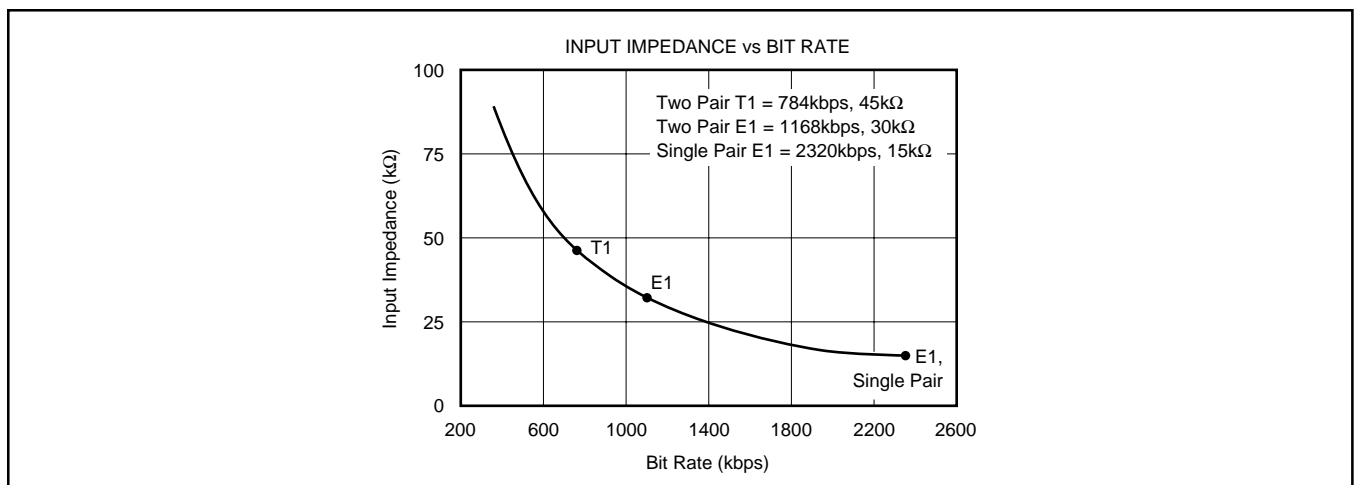
Typical at 25°C, AV<sub>DD</sub> = +5V, and DV<sub>DD</sub> = +3.3V, unless otherwise specified.



CURVE 1. Upper Bound of Power Spectral Density Measured at the Transformer Output.



CURVE 2. Transmitted Pulse Template and Actual Performance as Measured at the Transformer Output.



CURVE 3. Input Impedance of rxLINE and rxHYB.

# THEORY OF OPERATION

The transmit channel consists of a D/A converter and a switched-capacitor pulse forming network followed by a differential line driver. The pulse forming network receives symbol data from the DSP and generates a 2B1Q output waveform. The output meets the pulse mask and power spectral density requirements defined in European Telecommunications Standards Institute document RTR/TM-03036 for E1 mode and in sections 6.2.1 and 6.2.2.1 of Bellcore technical advisory TA-NWT-001210 for T1 mode. The differential line driver uses a composite output stage combining class B operation (for high efficiency driving large signals) with class AB operation (to minimize crossover distortion).

The receive channel is designed around a fourth-order delta sigma A/D converter. It includes a difference amplifier designed to be used with an external compromise hybrid for first-order analog crosstalk reduction. A programmable gain amplifier with gains of 0dB to +9dB is also included. The delta sigma modulator operating at a 24X oversampling ratio produces 14 bits of resolution at output rates up to 584kHz. The basic functionality of the AFE1205 is illustrated in Figure 1.

The receive channel operates by summing the two differential inputs, one from the line (rxLINE) and the other from the compromise hybrid (rxHYB). The connection of these two inputs so that the hybrid signal is subtracted from the line signal is described in the paragraph titled "Echo Cancellation in the AFE". The equivalent gain for each input in the difference amp is 1. The resulting signal then passes to a programmable gain amplifier which can be set for gains of 0dB through 9dB. The ADC converts the signal to a 14-bit digital word, rxD13-rxD0.

## SCALEABLE TIMING

The AFE1205 scales operation with the clock frequency. All internal filters, the A/D converter, the D/A converter, and the pulse former change frequency with the clock speed so that the unit can be used at different frequencies by changing the clock speed.

## rxLOOP INPUT

rxLOOP is the loopback control signal. When enabled, the rxLINE<sub>P</sub> and rxLINE<sub>N</sub> inputs are disconnected from the AFE. The rxHYB<sub>P</sub> and rxHYB<sub>N</sub> inputs remain connected. Loopback is enabled by applying a positive signal (Logic 1) to rxLOOP.

## ECHO CANCELLATION IN THE AFE

The rxHYB input is designed to be subtracted from the rxLINE input for first-order echo cancellation. To accomplish this, note that the rxLINE input is connected to the same polarity signal at the transformer (positive to positive and negative to negative) while the rxHYB input is connected to opposite polarity through the compromise hybrid (negative to positive and positive to negative) as shown in Figure 2.

## RECEIVE DATA CODING

The data from the receive channel A/D converter is coded in Binary Two's Complement code.

| ANALOG INPUT        | OUTPUT CODE (rxD13 - rxD0) |
|---------------------|----------------------------|
| Positive Full Scale | 01111111111111             |
| Mid Scale           | 00000000000000             |
| Negative Full Scale | 10000000000000             |

## RECEIVE CHANNEL PROGRAMMABLE GAIN AMPLIFIER

The gain of the amplifier at the input of the Receive Channel is set by two gain control pins, rxGAIN1 and rxGAIN0. The resulting gain between 0dB and +9dB is shown below.

| rxGAIN1 | rxGAIN0 | GAIN   |
|---------|---------|--------|
| 0       | 0       | 0dB    |
| 0       | 1       | 3.25dB |
| 1       | 0       | 6dB    |
| 1       | 1       | 9dB    |

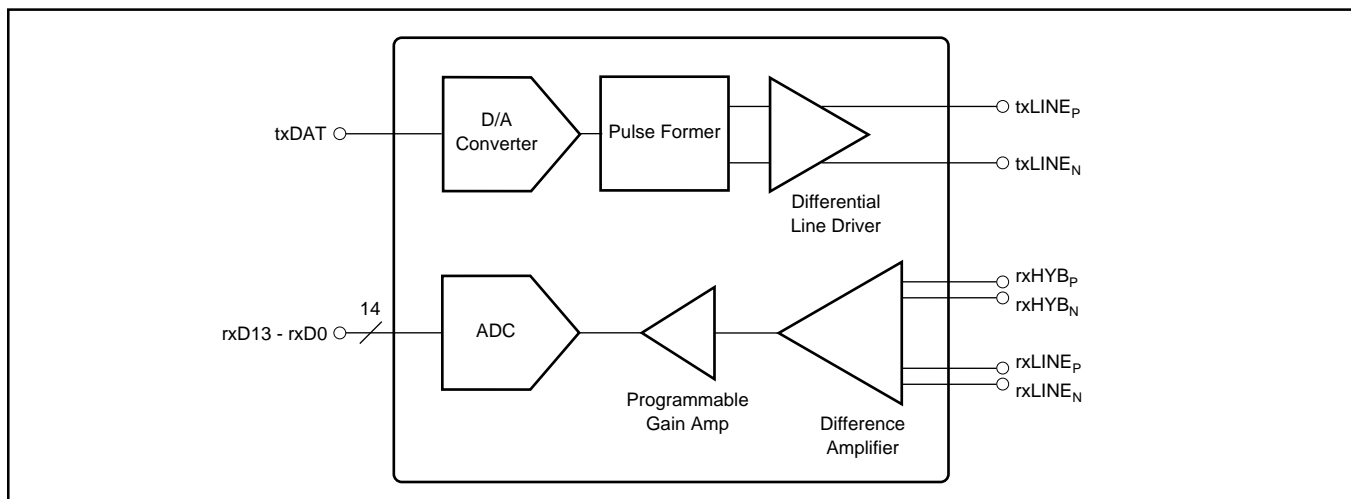


FIGURE 1. Functional Block Diagram of AFE1205.

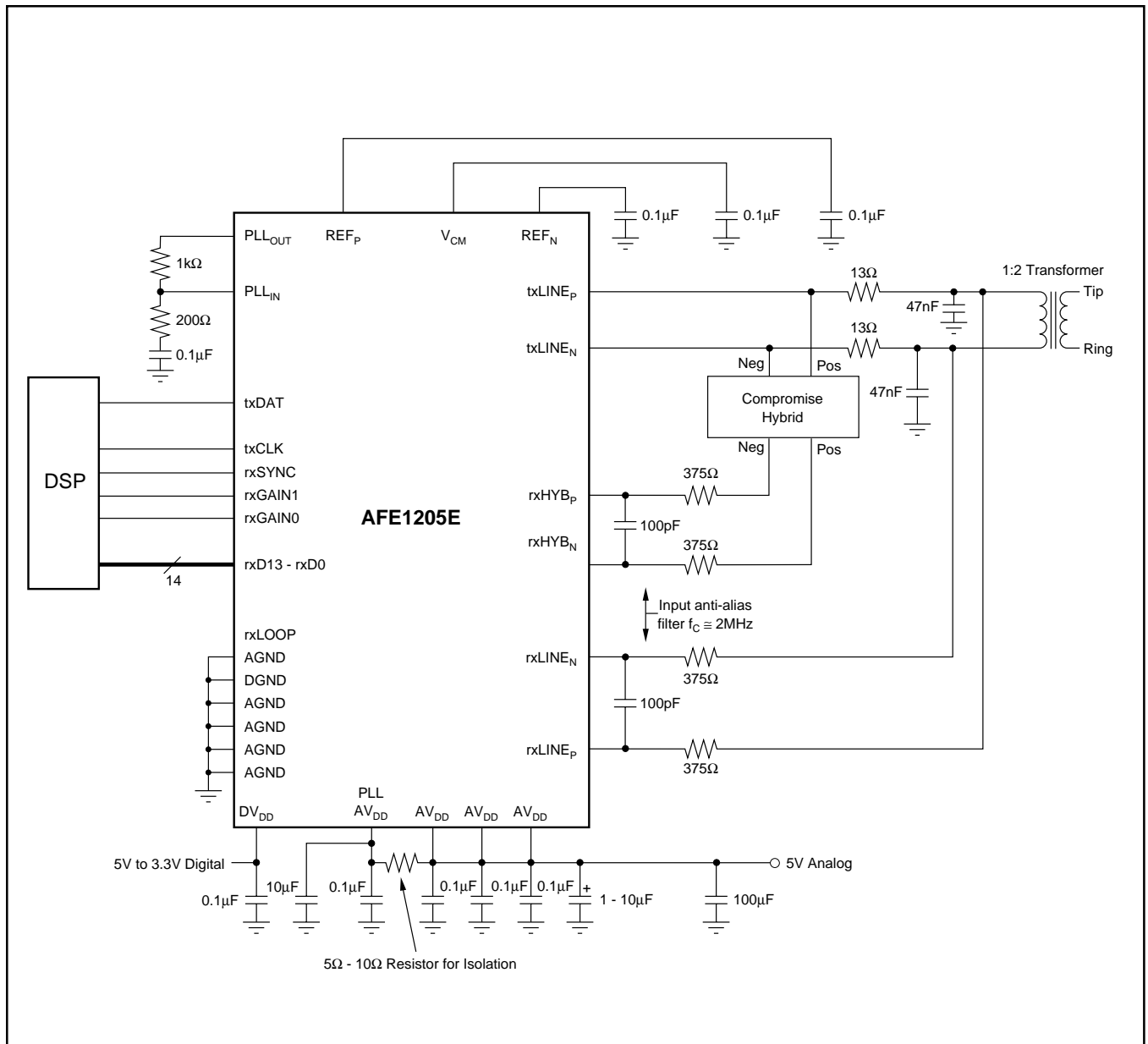


FIGURE 2. Basic Connection Diagram.

### rxHYB AND rxLINE INPUT ANTI-ALIASING FILTERS

The  $-3\text{dB}$  frequency of the input anti-aliasing filter for the rxLINE and rxHYB differential inputs should be approximately  $2\text{MHz}$  for operation at  $2.3\text{Mbps}$ . Suggested values for the filter are  $375\Omega$  for each of the two input resistors and  $100\text{pF}$  for the capacitor. Together the two  $375\Omega$  resistors and the  $100\text{pF}$  capacitor result in  $-3\text{dB}$  frequency of just over  $2\text{MHz}$ . The  $375\Omega$  input resistors will result in a minimal voltage divider loss with the input impedance of the AFE1205.

This circuit applies at rates of  $1\text{Mbps}$  to  $2\text{Mbps}$ . For slower rates, the anti-aliasing filters will give best performance with their  $-3\text{dB}$  frequency approximately equal to the bit rate. For example, a  $-3\text{dB}$  frequency of  $500\text{kHz}$  should be used for a single pair bit rate of  $500\text{kbps}$ .

### rxHYB AND rxLINE INPUT BIAS VOLTAGE

The transmitter output on the txLINE pins and the rxLINE inputs are centered at midscale,  $2.5\text{V}$ .

Inside the AFE1205, the rxHYB and rxLINE signals are subtracted as described in the paragraph on echo cancellation above. This means that the rxHYB inputs need to be centered at  $2.5\text{V}$  just as the rxLINE signal is centered at  $2.5\text{V}$ . The external compromise hybrid must be designed so that the signal into the rxHYB inputs remains centered at  $2.5\text{V}$ .

## TIMING DIAGRAM

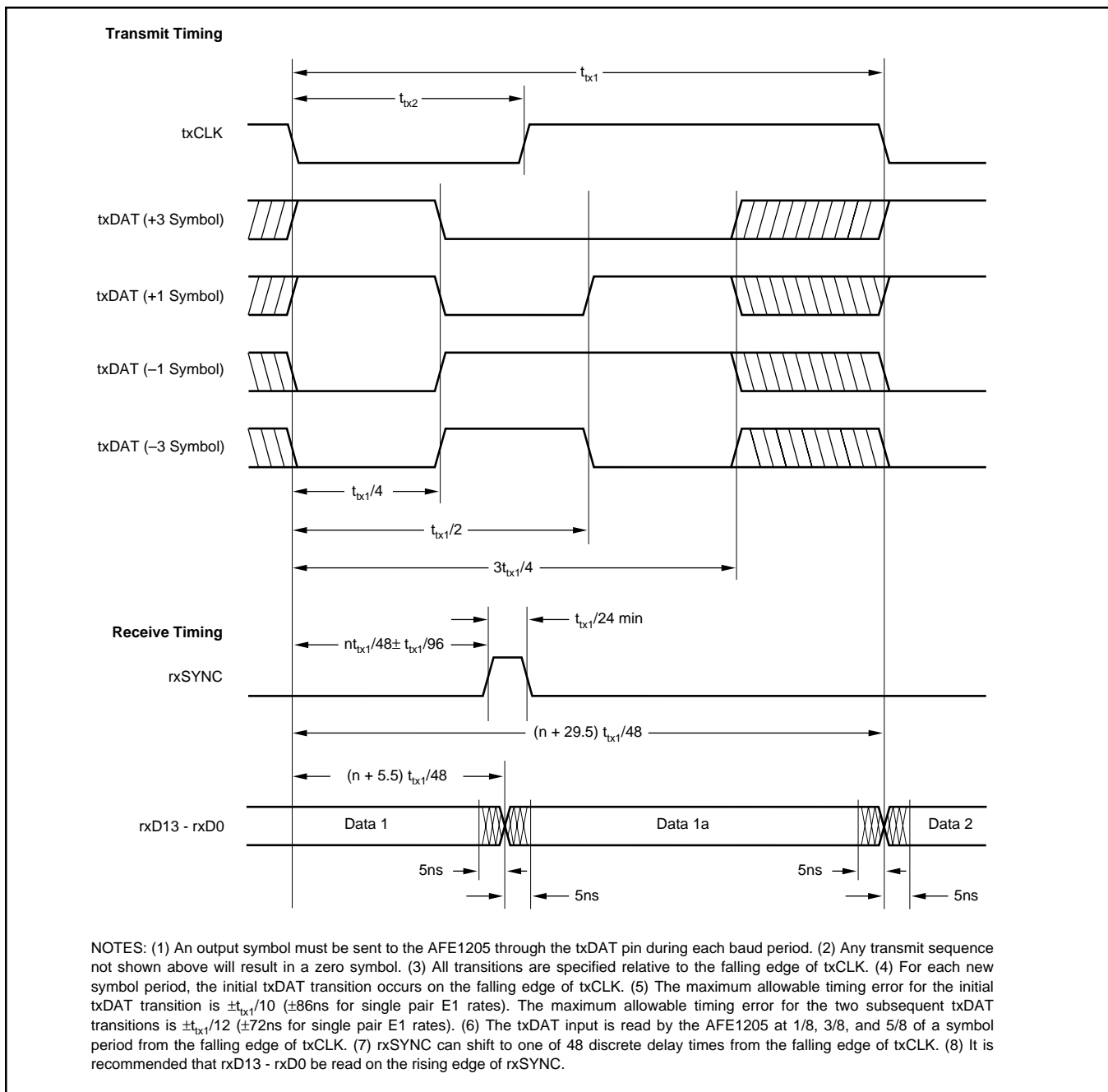


FIGURE 3. Timing Diagram.

## RECEIVE TIMING

The rxSYNC signal controls portions of the A/D converter's decimation filter and the data output timing of the A/D converter. It is generated at the symbol rate by the user and must be synchronized with txCLK. The rising edge of rxSYNC can occur at the falling edge of txCLK or it can be shifted by the user in increments of 1/48 of a symbol period to one of 47 discrete delay times after the falling edge of txCLK.

## RECEIVE OUTPUT DATA RATE

The receive channel delta-sigma A/D converter of the AFE1205 uses a modulator which operates at an oversampling

rate of 24X the symbol rate. The A/D converter's decimation filter downsamples the modulator output by a factor of 12. The bandwidth of the decimation filter is equal to one-half the symbol rate. This yields two output words per symbol period. These two output words are shown as Data 1 and Data 1a in Figure 3. The specifications of the AFE1205 assume that one A/D converter output is used per symbol period and the other output is ignored. The Receive Timing diagram above suggests using the rising edge of the rxSYNC pulse to read the first data output in a symbol period. Either data output may be used. Both data outputs may be used for more flexible post-processing.



# DISCUSSION OF SPECIFICATIONS

## UNCANCELLED ECHO

The key measure of transceiver performance is uncancelled echo. This measurement is made as shown in the diagram of Figure 4. The AFE is connected to an output circuit including a typical 1:2 line transformer. The line is simulated by a 135Ω resistor. Symbol sequences are generated by the tester and applied both to the AFE and to the input of an adaptive filter. The output of the adaptive filter is subtracted from the AFE output to form the uncancelled echo signal. Once the filter taps have converged, the rms value of the uncancelled echo is calculated. Since there is no far-end signal source or additive line noise, the uncancelled echo contains only noise and linearity errors generated in the transmitter and receiver.

The data sheet value for uncancelled echo is the ratio of the rms uncancelled echo (referred to the receiver input through the receiver gain) to the nominal transmitted signal (13.5dBm into 135Ω, or 1.74Vrms). This echo value is measured under a variety of conditions: with loopback enabled (line input disconnected); with loopback disabled under all receiver gain ranges; and with the line shorted ( $S_1$  closed in Figure 4).

## PROGRAMMABLE POWER DISSIPATION

The power dissipation of the AFE1205 is digitally programmable by the user to three levels: Normal, Medium, and Low. The maximum bit rate of the AFE1205 is 2.3Mbps with Normal power dissipation. At lower power dissipation

levels, the maximum bit rate is lower and in addition, the minimum bit rate is lower. The power control pin (pin 22) has three input levels: Logic 1, Logic 0, and high impedance. In the high impedance state, up to 20μA leakage current can be tolerated out of the power control pin. The AFE1205 requires six baud periods to settle after a change in the power control pin status.

Typical power dissipation specifications, shown in Table I, assume a 5V analog supply, a 3.3V digital supply, standard 13.5dBm delivered to the line, a pseudo random equiprobable sequence of HDSL output pulses, and a 1:2 turns ratio line transformer. The power dissipation specifications includes all power dissipated in the AFE1205—it does not include power dissipated in the external load. The external power is 16.5dBm, 13.5dBm to the line and 13.5dBm to the impedance matching resistors. The external power of 16.5dBm is 45mW. If a 5V digital supply is used rather than a 3.3V supply, the power dissipation increases by approximately 3mW.

| POWER LEVEL | MAXIMUM SPEED (Mbps) | MINIMUM SPEED (kbps) | TYPICAL POWER DISSIPATION (mW) | PIN 22 INPUT   |
|-------------|----------------------|----------------------|--------------------------------|----------------|
| Normal      | 2.320                | 384                  | 385                            | Logic 1        |
| Medium      | 1.168                | 192                  | 300                            | Logic 0        |
| Low         | 0.320                | 160                  | 240                            | High Impedance |

TABLE I. Power Control Operation.

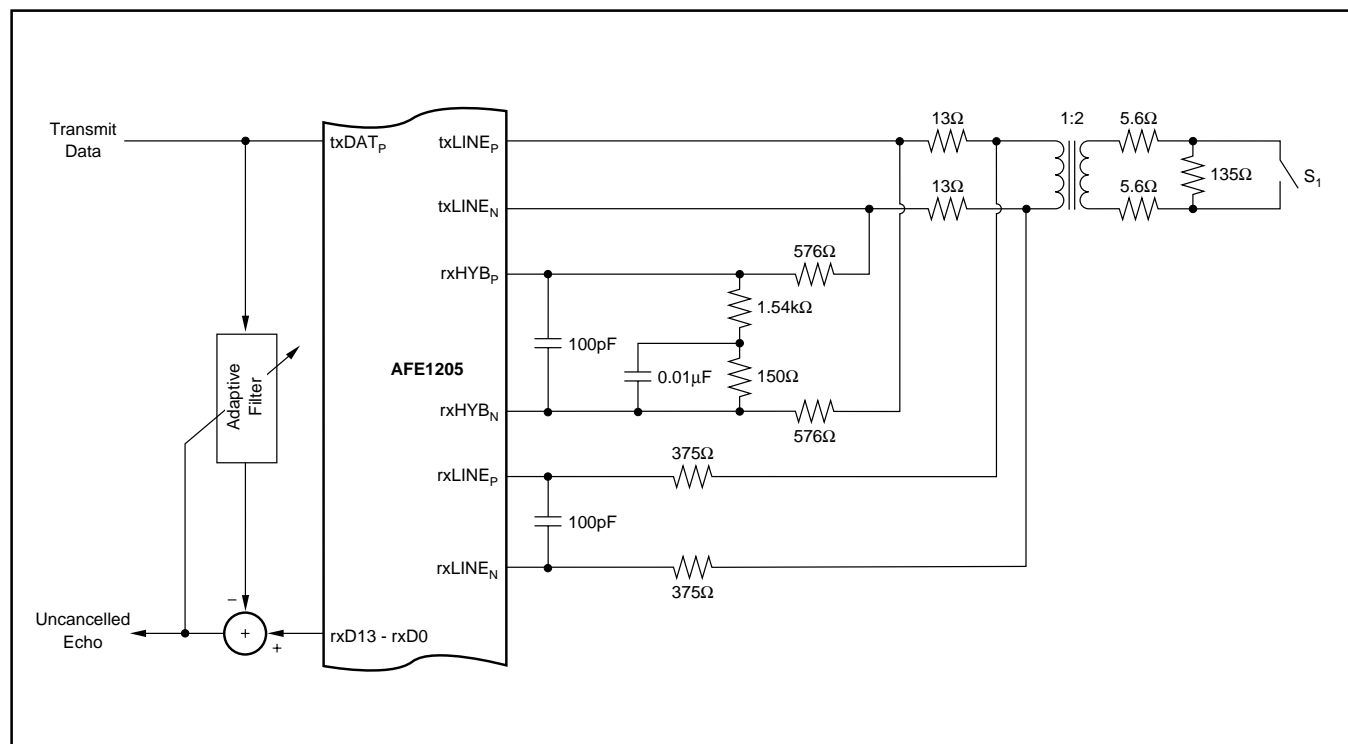


FIGURE 4. Uncancelled Echo Test Diagram.

## LAYOUT

The analog front end of an HDSL system has a number of conflicting requirements. It must accept and deliver digital outputs at fairly high rates of speed, phase-lock to a high-speed digital clock, and convert the line input to a high-precision (14-bit) digital output. Thus, there are really three sections of the AFE1205: the digital section, the phase-locked loop, and the analog section. A combined analog and digital ground plane is recommended. The ground plane should pass under all of the AFE1205 and its pins.

The power supply for the digital section of the AFE1205 can range from 3.3V to 5V. This supply should be decoupled to digital ground with a ceramic 0.1 $\mu$ F capacitor placed as close to DGND (pin 12) and DV<sub>DD</sub> (pin 13) as possible. Ideally, both a digital power supply plane and a ground plane should run up to and underneath the digital pins of the AFE1205 (pins 3 through 26). However, DV<sub>DD</sub> may be supplied by a wide printed circuit board (PCB) trace. A ground plane underneath all digital pins is strongly recommended.

The Phase Locked Loop (PLL) analog supply, pin 2, must be derived from AV<sub>DD</sub>, the general analog supply. The power supply to the PLL must be in the range of 4.75V to 5.25V.

The PLL section of the AFE1205 should be decoupled with both a 10 $\mu$ F tantalum capacitor and a 0.1 $\mu$ F ceramic capacitor. Both capacitors should be placed between pins 1 and 2. The ceramic capacitor should be placed as close to the AFE1205 as possible. The placement of the tantalum capacitor is not as critical, but should be close. A 5 $\Omega$  to 10 $\Omega$  resistor should be used to connect the PLL supply (pin 2) to the analog supply. This resistor, in combination with the 10 $\mu$ F tantalum capacitor, form a low pass filter to keep glitches that occur on the general analog supply, AV<sub>DD</sub>, from affecting the PLL supply. The PLL ground (pin 1) should connect directly to the ground plane.

The remaining portion of the AFE1205 should be considered analog. All AGND pins should be connected directly to a common analog ground plane and all AV<sub>DD</sub> pins should be connected to an analog 5V power plane. Both of these planes should have a low impedance path to the power supply.

Ideally, all ground planes and traces and all power planes and traces should return to the power supply connector before being connected together (if necessary). Each ground and power pair should be routed over each other, should not overlap any portion of another pair, and the pairs should be separated by a distance of at least 0.25 inch (6mm). One exception is that the digital and analog ground planes should be connected together underneath the AFE1205 by a small trace.