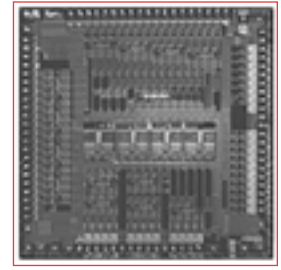




BCM3210B PRODUCT Brief



DOCSIS/EURODOCSIS CABLE MODEM TERMINATION SYSTEM (MAC)

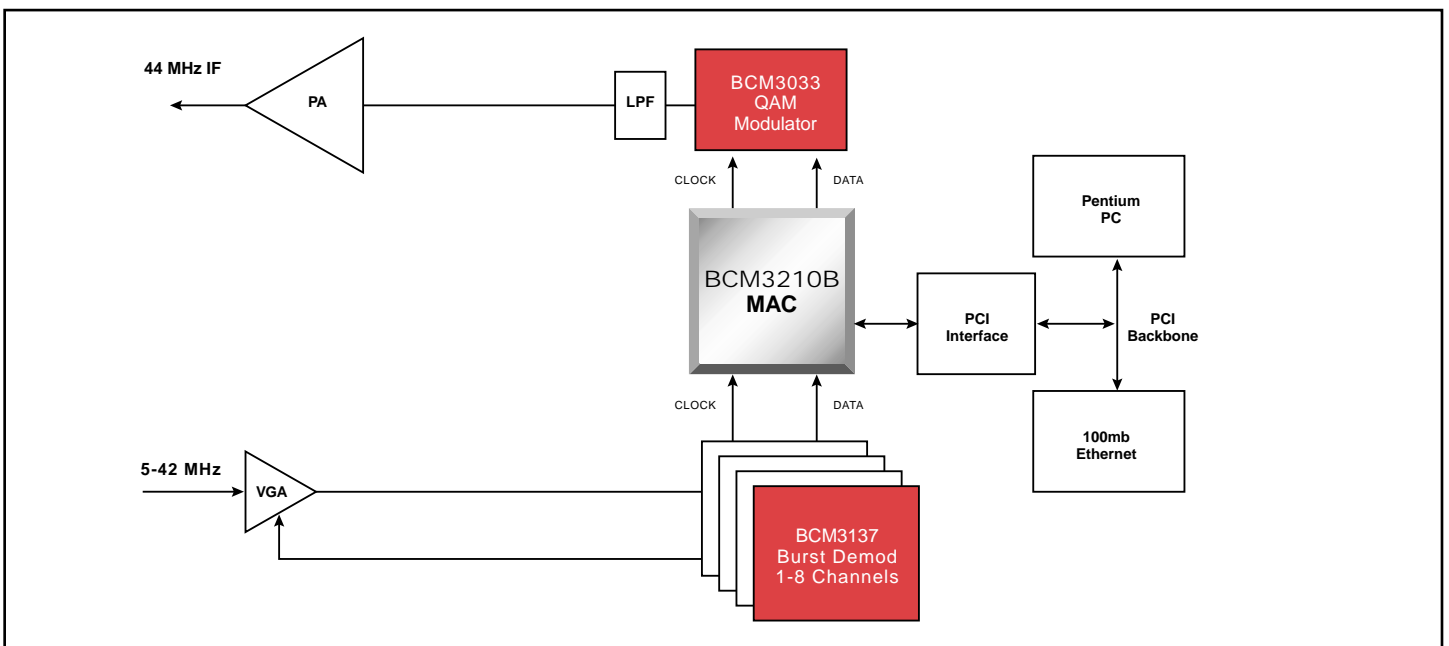
BCM3210B FEATURES

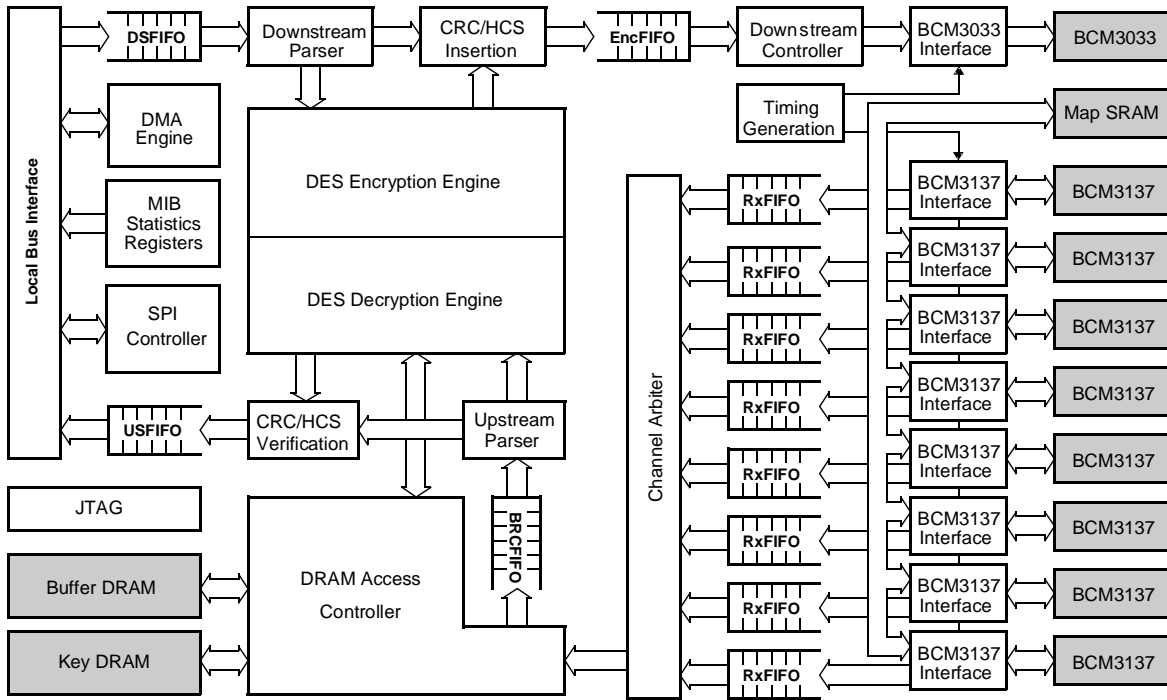
- Full DOCSIS/EuroDOCSIS 1.0 and 1.1 CMTS MAC including baseline privacy
- Supports 64/256 QAM (annex A and B) downstream and QPSK/16 QAM upstream at DOCSIS/EuroDOCSIS data rates
- Supports one downstream and up to eight upstream channels simultaneously
- Direct interface to
 - BCM3033 and BCM3034 QAM modulators
 - BCM3137 and BCM3138 burst QPSK/QAM demodulators
- DMA support for two downstream queues and one upstream queue
- Interfaces to generic i960 CPU or PLX9080 for bridging to a PCI bus
- Serial control interface master SPI compatible
- JTAG test interface
- 3.3V interface
- 352-pin BGA package

SUMMARY OF BENEFITS

- Provides full DOCSIS/EuroDOCSIS 1.0 and 1.1 compliant CMTS silicon solution for headend line card or HFC interface.
 - Reduces overall system cost
 - Simplifies system, board and software design
 - Enables Quality of Service (QoS) features
- Real-time hardware processing of all media access control (MAC) functions for DOCSIS/EuroDOCSIS based CMTS, including:
 - Master timebase generation
 - Downstream SYNC message insertion
 - MAC header HCS and payload CRC-32 generation and checking
 - MPEG framing
 - Extract upstream and downstream parameters
 - Upstream channel parser and concentrator
 - On-the-fly demodulator programming
- Baseline privacy encryption and decryption with support for 16 SIDs and 56-bit DES encryption keys.

DOCSIS/EuroDOCSIS-Based Cable Modem Headend Block Diagram





The Broadcom **BCM3210B** is designed to control upstream and downstream communications channels. It is intended for use in conjunction with the physical layer devices BCM3033/BCM3034 (QAM modulators) and BCM3137/BCM3138 (burst demodulators)—by providing the headend control mechanisms for both the upstream and downstream traffic.

The **BCM3210B** supports the DOCSIS/EuroDOCSIS 1.0 and 1.1 standards, enabling the deployment of systems that are capable of supporting multiple datatypes (voice, video, data) simultaneously and on a prioritized basis. These extensions to the DOCSIS/EuroDOCSIS specification are supported on the subscriber side in the BCM3350 (single-chip cable modem).

The **BCM3210B** also handles these tasks:

- Intermediate buffering
- Encryption/decryption
- Timing control
- Communications channel access
- System provisioning
- Support system debug

Broadcom®, the pulse logo®, QAMLink® and Connecting Everything™ are trademarks of Broadcom Corporation and/or its subsidiaries in the United States and certain other countries. All other trademarks are the property of their respective owners.

Connecting
everything™

BROADCOM CORPORATION
16215 Alton Parkway, P.O. Box 57013
Irvine, California 92619-7013

© 2002 by BROADCOM CORPORATION. All rights reserved.
3210B-PB08-R-4.23.02

The **BCM3210B** provides a slave port enabling the external microprocessor to:

- Configure parameters
- Install encryption/decryption keys
- Access status registers in the BCM3033/BCM3034 and BCM3137/BCM3138

The **BCM3210B** can also be daisy chained with another (slave) **BCM3210B** to enable a higher ratio of upstream to downstream channels.

Ordering Information:
BCM3210BKTB



Phone: 949-450-8700
FAX: 949-450-8710
Email: info@broadcom.com
Web: www.broadcom.com