

### General Description

The AAT4250 SmartSwitch™ is a member of AATI's Application Specific Power MOSFET™ (ASPM™) product family. It is a Slew Rate Controlled P-channel MOSFET power switch designed for high-side load-switching applications. This switch operates with an input voltage range from 1.8V to 5.5V, making it ideal for 2.5V, 3.3V or 5V systems. The part features 1.5ms turn on and 10μs turn off time. The AAT4250 has an under voltage lock out which turns off the switch when an under-voltage condition exists. Input logic levels are TTL compatible. The quiescent supply current is very low, typically 2μA. In shutdown mode, the supply current is typically reduced to 0.1μA or less.

The AAT4250 is available in a 5-pin SOT23 and 8-pin SC70JW specified over -40 to 85°C.

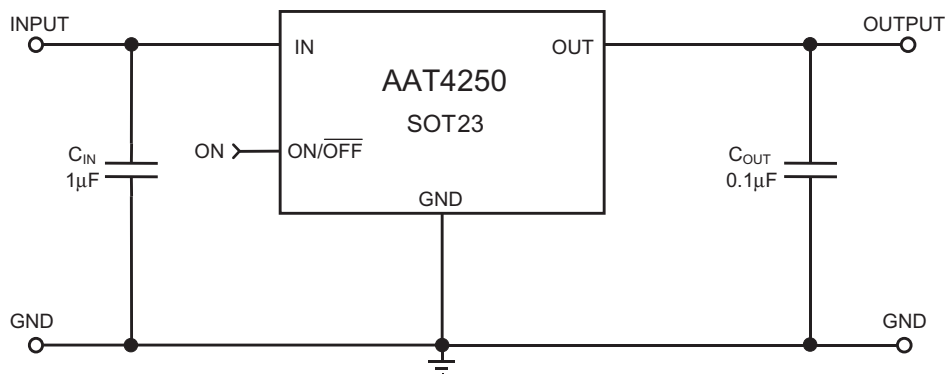
### Features

- 1.8V to 5.5V Input voltage range
- 120mΩ (5V) typical  $R_{DS(ON)}$
- Low quiescent current
  - Typical 2μA
  - Typical 0.1μA with Enable off
- Only 2.0V needed for ON/OFF Control
- Temperature range -40° to 85°C
- 5kV ESD rating
- 5-pin SOT23 or SC70JW-8 package

### Applications

- Hot swap supplies
- Notebook computers
- Personal communication devices

### Typical Application

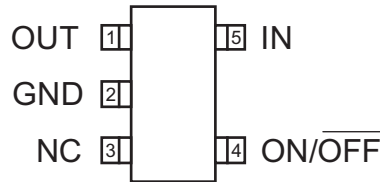


### Pin Descriptions

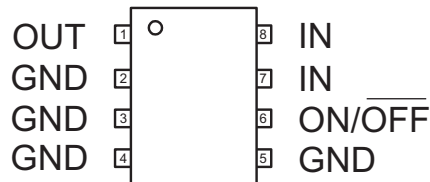
Pin #		Symbol	Function
SOT23-5	SC70JW		
1	1	OUT	P-channel MOSFET drain
2	2, 3, 4, 5	GND	Ground connection
3	n/a	NC	Not internally connected
4	6	ON/OFF	Active-High Enable Input (Logic high turns the switch on)
5	7, 8	IN	P-channel MOSFET source

### Pin Configuration

**SOT23-5  
(Top View)**



**SC70JW-8  
(Top View)**



### Absolute Maximum Ratings ( $T_A=25^\circ\text{C}$ unless otherwise noted)

Symbol	Description	Value	Units
$V_{IN}$	IN to GND	-0.3 to 6	V
$V_{ON}$	ON/OFF to GND	-0.3 to 6	V
$V_{OUT}$	OUT to GND	-0.3 to $V_{IN}+0.3$	V
$I_{MAX}$	Maximum Continuous Switch Current	1.7	A
$I_{DM}$	Maximum Pulsed Current	$IN \geq 2.5V$	4
		$IN < 2.5V$	2
$T_J$	Operating Junction Temperature Range	-40 to 150	$^\circ\text{C}$
$T_{LEAD}$	Maximum Soldering Temperature (at Leads)	300	$^\circ\text{C}$
$V_{ESD}$	ESD Rating <sup>1</sup> - HBM	5000	V

Note: Stresses above those listed in Absolute Maximum Ratings may cause permanent damage to the device. Functional operation at conditions other than the operating conditions specified is not implied. Only one Absolute Maximum rating should be applied at any one time.

Note 1: Human body model is a 100pF capacitor discharged through a 1.5k $\Omega$  resistor into each pin.

### Thermal Characteristics

Symbol	Description	Value	Units
$\Theta_{JA}$	Thermal Resistance (SOT23-5 or SC70JW-8) <sup>2</sup>	150	$^\circ\text{C}/\text{W}$
$P_D$	Power Dissipation (SOT23-5 or SC70JW-8) <sup>2</sup>	667	mW

Note 2: Mounted on an AAT4250 demo board in still 25 $^\circ\text{C}$  air.

### Electrical Characteristics ( $V_{IN} = 5V$ , $T_A = -40$ to $85^\circ\text{C}$ unless otherwise noted. Typical values are at $T_A=25^\circ\text{C}$ )

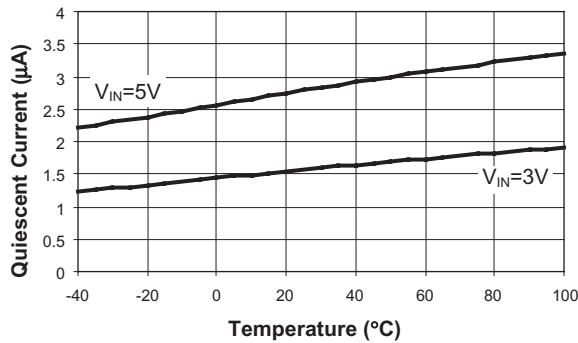
Symbol	Description	Conditions	Min	Typ	Max	Units
$V_{IN}$	Operation Voltage		1.8		5.5	V
$I_Q$	Quiescent Current	$V_{IN} = 5V$ , $ON/OFF = V_{IN}$ , $I_{OUT} = 0$		2	4	$\mu\text{A}$
$I_{Q(OFF)}$	Off Supply Current	$ON/OFF = GND$ , $V_{IN} = 5V$ , OUT open			1	$\mu\text{A}$
$I_{SD(OFF)}$	Off Switch Current	$ON/OFF = GND$ , $V_{IN} = 5V$ , $V_{OUT} = 0$		0.1	1	$\mu\text{A}$
$V_{UVLO}$	Undervoltage Lockout	$V_{IN}$ falling		1.5		V
$V_{UVLO(hys)}$	Undervoltage Lockout hysteresis			250		mV
$R_{DS(ON)}$	On-Resistance	$V_{IN} = 5V$		120	175	m $\Omega$
		$V_{IN} = 3V$		135	200	m $\Omega$
		$V_{IN} = 1.8V$		165		m $\Omega$
$TC_{RDS}$	On-Resistance Temp-Co			2800		ppm/ $^\circ\text{C}$
$V_{IL}$	$ON/OFF$ Input Logic Low Voltage	$V_{IN} = 2.7V$ to $5.5V^3$			0.8	V
$V_{IH}$	$ON/OFF$ Input Logic High Voltage	$V_{IN} = 2.7V$ to $\leq 4.2V$	2.0			V
		$V_{IN} = > 4.2V$ to $5.5V$	2.4			
$I_{SINK}$	ON Input leakage	$V_{ON} = 5V$		0.01	1	$\mu\text{A}$
$T_D$	Output Turn-On Delay Time			300		$\mu\text{s}$
$T_{OFF}$	Turn-Off Fall Time	$V_{IN}=5V$ , $R_{LOAD}=10\Omega$			10	$\mu\text{s}$
$T_{OFF}$	Turn-Off Fall Time	$V_{IN}=3V$ , $R_{LOAD}=5\Omega$			10	$\mu\text{s}$
$T_{ON}$	Turn-On Rise Time	$V_{IN}=5V$ , $R_{LOAD}=16.5\Omega$ , $T_A=0$ to $50^\circ\text{C}$	1000			$\mu\text{s}$
$T_{ON}$	Turn-On Rise Time	$V_{IN}=5V$ , $R_{LOAD}=10\Omega$ , $C_{OUT}=0.1\mu\text{F}$		1500		$\mu\text{s}$
$T_{ON}$	Turn-On Rise Time	$V_{IN}=3V$ , $R_{LOAD}=5\Omega$ , $C_{OUT}=0.1\mu\text{F}$		1500		$\mu\text{s}$

Note 3: For  $V_{IN}$  outside this range consult typical ON/OFF threshold curve.

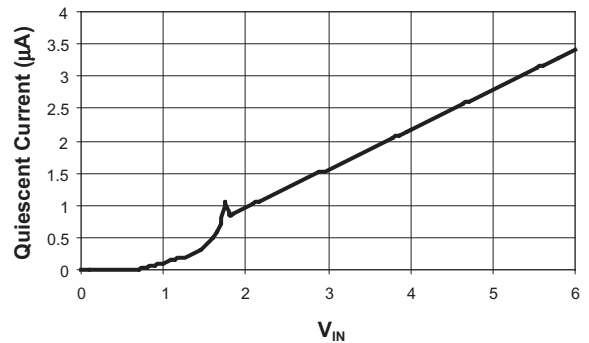
### Typical Characteristics

(Unless otherwise noted,  $V_{IN} = 5V$ ,  $T_A = 25^\circ C$ )

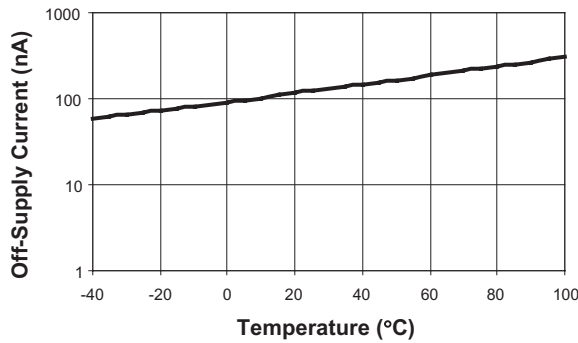
**Quiescent Current vs. Temperature**



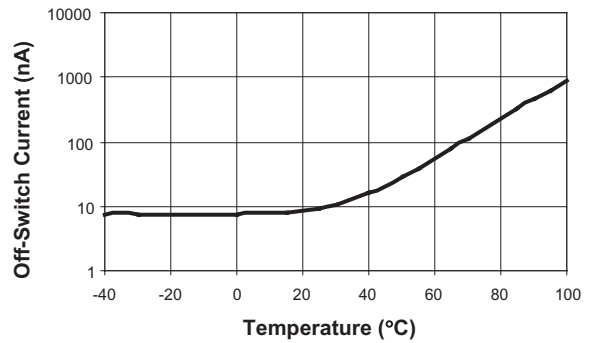
**Quiescent Current vs.  $V_{IN}$**



**Off-Supply Current vs. Temperature**

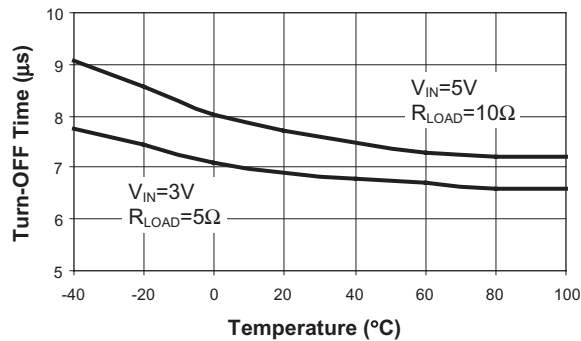


**Off-Switch Current vs. Temperature**



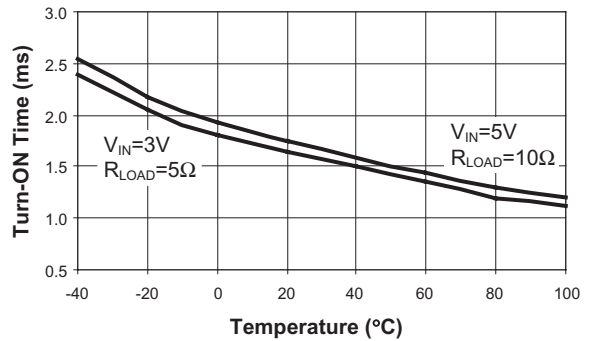
**Turn-OFF Time vs. Temperature**

$C_{IN}=1\mu F$ ,  $C_{OUT}=0.1\mu F$

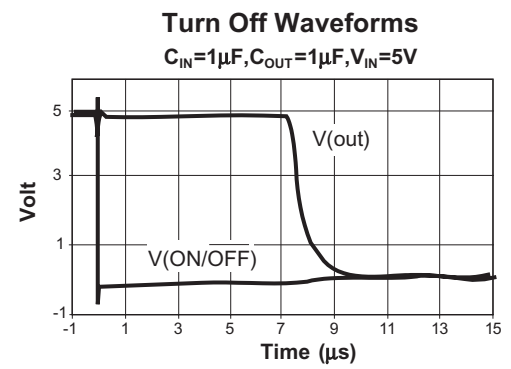
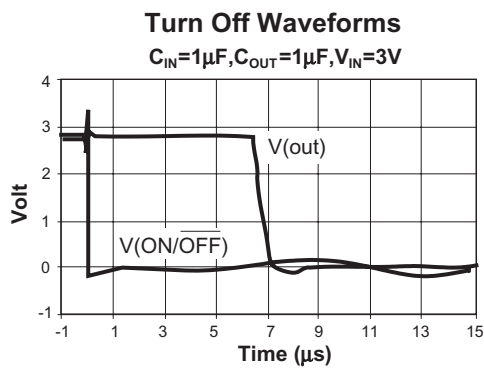
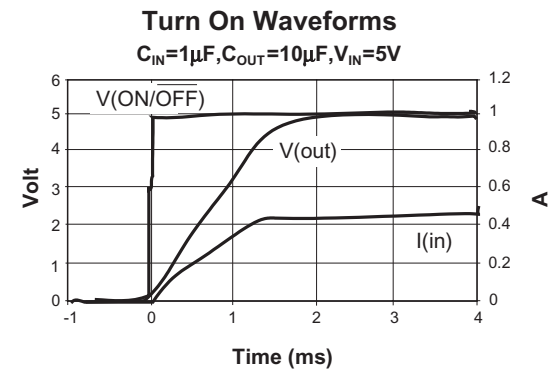
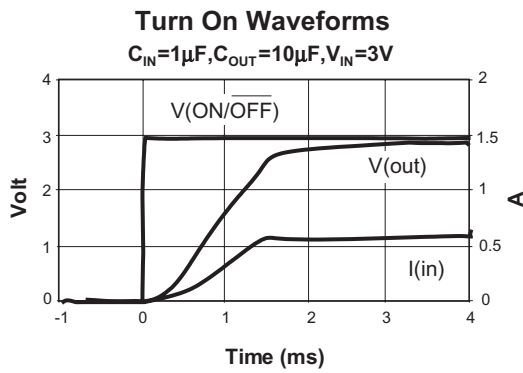
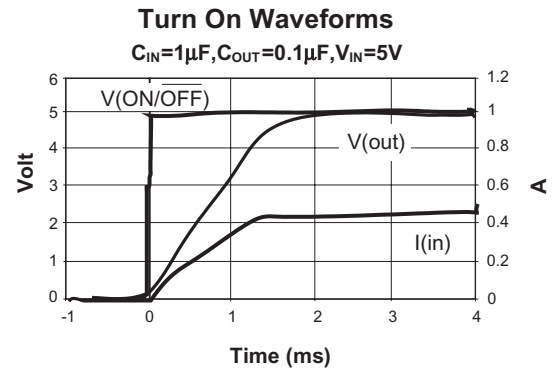
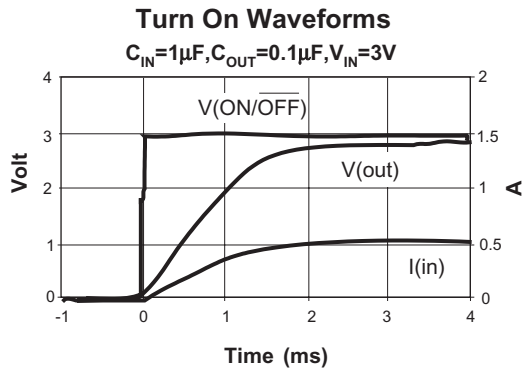


**Turn-ON Time vs. Temperature**

$C_{IN}=1\mu F$ ,  $C_{OUT}=0.1\mu F$

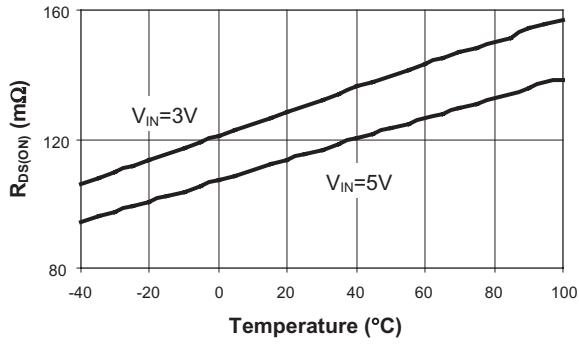


(Unless otherwise noted,  $V_{IN} = 5V$ ,  $T_A = 25^\circ C$ )

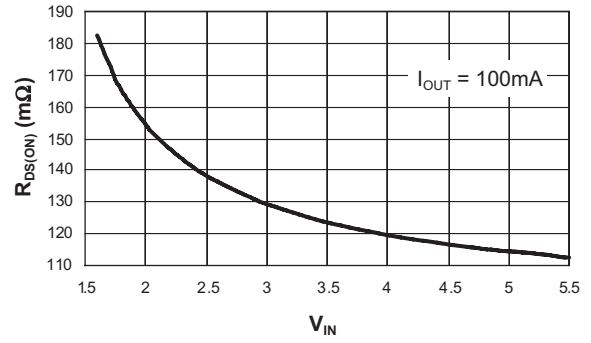


(Unless otherwise noted,  $V_{IN} = 5V$ ,  $T_A = 25^\circ C$ )

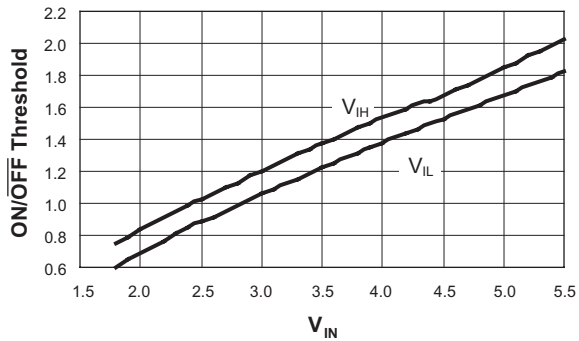
**$R_{DS(ON)}$  vs. Temperature**



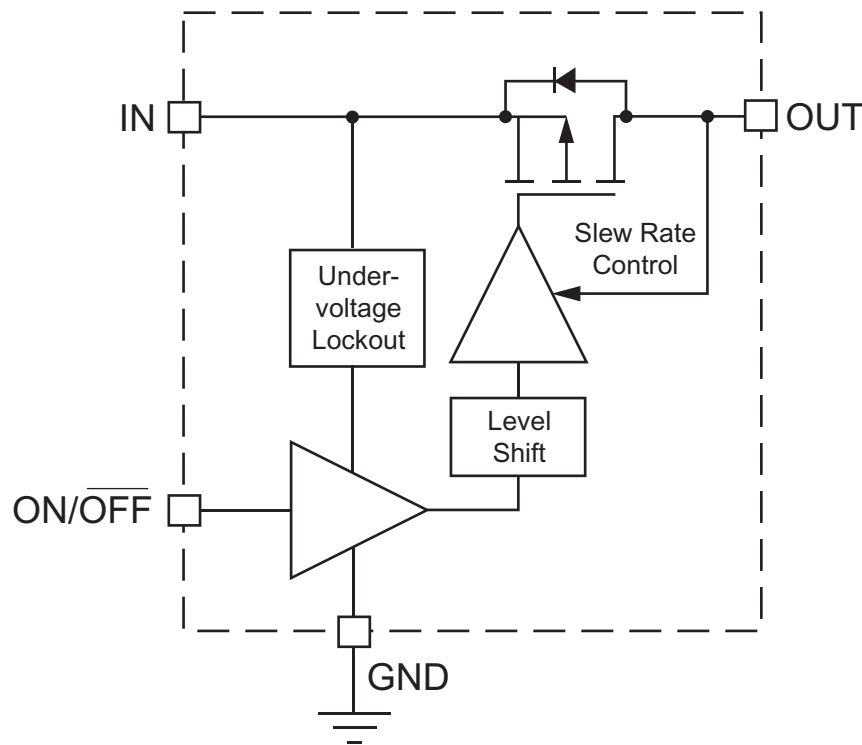
**$R_{DS(ON)}$  vs.  $V_{IN}$**



**Typical ON/OFF Threshold vs.  $V_{IN}$**



## Functional Block Diagram



## Functional Description

The AAT4250 is a slew rate controlled P-channel MOSFET power switch designed for high-side load-switching applications. It operates with input voltages ranging from 1.8V to 5.5V which, along with its extremely low operating current, makes it ideal for battery-powered applications. In cases where the input voltage drops below 1.8V, the AAT4250 MOSFET is protected from entering the saturated region of operation by automatically shutting down. In addition, the TTL compatible ON/OFF pin makes the AAT4250 an ideal level shifted load-switch. The slew rate controlling feature eliminates in-rush cur-

rent when the MOSFET is turned on, allowing the AAT4250 to be implemented with a small input capacitor, or no input capacitor at all. During slewing, the current ramps linearly until it reaches the level required for the output load condition. The proprietary control method works by careful control and monitoring of the MOSFET gate voltage. When the device is switched ON, the gate voltage is quickly increased to the threshold level of the MOSFET. Once at this level, the current begins to slew as the gate voltage is slowly increased until the MOSFET becomes fully enhanced. Once it has reached this point, the gate is quickly increased to the full input voltage and  $R_{DS(ON)}$  is minimized.

### Applications Information

#### Input Capacitor

Typically a 1 $\mu$ F or larger capacitor is recommended for  $C_{IN}$  in most applications. A  $C_{IN}$  capacitor is not required for basic operation, however, it is useful in preventing load transients from affecting upstream circuits.  $C_{IN}$  should be located as close to the device  $V_{IN}$  pin as practically possible. Ceramic, tantalum or aluminum electrolytic capacitors may be selected for  $C_{IN}$ . There is no specific capacitor ESR requirement for  $C_{IN}$ . However, for higher current operation, ceramic capacitors are recommended for  $C_{IN}$  due to their inherent capability over tantalum capacitors to withstand input current surges from low impedance sources such as batteries in portable devices.

#### Output Capacitor

For proper slew operation, a 0.1 $\mu$ F capacitor or greater between  $V_{OUT}$  and GND is required.

Likewise, with the output capacitor, there is no specific capacitor ESR requirement. If desired,  $C_{OUT}$  may be increased without limit to accommodate any load transient condition without adversely affecting the slew rate.

#### Enable Function

The AAT4250 features an enable / disable function. This pin (ON) is active high and is compatible with TTL or CMOS logic. To assure the load switch will turn on, the ON control level must be greater than 2.0 volts. The load switch will go into shutdown mode when the voltage on the ON pin falls below 0.8 volts. When the load switch is in shutdown mode, the OUT pin is tristated, and quiescent current drops to leakage levels below 1 $\mu$ A.

#### Reverse Output to Input Voltage Conditions and Protection

Under normal operating conditions a parasitic diode exists between the output and input of the load switch. The input voltage should always remain greater than the output load voltage maintaining a reverse bias on the internal parasitic diode. Conditions where  $V_{OUT}$  might exceed  $V_{IN}$  should be avoided since this would forward bias the internal parasitic diode and allow excessive current flow into the  $V_{OUT}$  pin and possibly damage the load switch.

In applications where there is a possibility of  $V_{OUT}$  exceeding  $V_{IN}$  for brief periods of time during normal operation, the use of a larger value  $C_{IN}$  capacitor is highly recommended. A larger value of  $C_{IN}$  with respect to  $C_{OUT}$  will effect a slower  $C_{IN}$  decay rate during shutdown, thus preventing  $V_{OUT}$  from exceeding  $V_{IN}$ . In applications where there is a greater danger of  $V_{OUT}$  exceeding  $V_{IN}$  for extended periods of time, it is recommended to place a schottky diode from  $V_{IN}$  to  $V_{OUT}$  (connecting the cathode to  $V_{IN}$  and anode to  $V_{OUT}$ ). The Schottky diode forward voltage should be less than 0.45 volts.

#### Thermal Considerations and High Output Current Applications

The AAT4250 is designed to deliver a continuous output load current. The limiting characteristic for maximum safe operating output load current is package power dissipation. In order to obtain high operating currents, careful device layout and circuit operating conditions need to be taken into account.

The following discussions will assume the load switch is mounted on a printed circuit board utilizing the minimum recommended footprint as stated in the layout considerations section.

At any given ambient temperature ( $T_A$ ) the maximum package power dissipation can be determined by the following equation:

$$P_{D(MAX)} = [T_{J(MAX)} - T_A] / \theta_{JA}$$

Constants for the AAT4250 are maximum junction temperature,  $T_{J(MAX)} = 125^\circ\text{C}$ , and package thermal resistance,  $\theta_{JA} = 150^\circ\text{C/W}$ . Worst case conditions are calculated at the maximum operating temperature where  $T_A = 85^\circ\text{C}$ . Typical conditions are calculated under normal ambient conditions where  $T_A = 25^\circ\text{C}$ . At  $T_A = 85^\circ\text{C}$ ,  $P_{D(MAX)} = 267\text{mW}$ . At  $T_A = 25^\circ\text{C}$ ,  $P_{D(MAX)} = 667\text{mW}$ .

The maximum continuous output current for the AAT4250 is a function of the package power dissipation and the  $R_{DS}$  of the MOSFET at  $T_{J(MAX)}$ . The maximum  $R_{DS}$  of the MOSFET at  $T_{J(MAX)}$  is calculated by increasing the maximum room temperature  $R_{DS}$  by the  $R_{DS}$  temperature coefficient. The temperature coefficient (TC) is 2800ppm/ $^\circ\text{C}$ . Therefore, at  $125^\circ\text{C}$

$$\begin{aligned} R_{DS(MAX)} &= R_{DS(25^\circ\text{C})} \times (1 + TC \times \Delta T) \\ R_{DS(MAX)} &= 175\text{m}\Omega \times (1 + .002800 \times (125^\circ\text{C} - 25^\circ\text{C})) \\ R_{DS(MAX)} &= 224\text{m}\Omega \end{aligned}$$



For maximum current, refer to the following equation:

$$I_{OUT(MAX)} < (P_{D(MAX)} / R_{DS})^{1/2}$$

For example, if  $V_{IN} = 5V$ ,  $R_{DS(MAX)} = 224m\Omega$  and  $T_A = 25^\circ C$ ,  $I_{OUT(MAX)} = 1.7A$ . If the output load current were to exceed 1.7A or if the ambient temperature were to increase, the internal die temperature will increase, and the device will be damaged.

Higher peak currents can be obtained with the AAT4250. To accomplish this, the device thermal resistance must be reduced by increasing the heat sink area or by operating the load switch in a duty cycle manner. Duty cycles with peaks less than 2ms in duration can be considered using the method below.

### High Peak Output Current Applications

Some applications require the load switch to operate at a continuous nominal current level with short duration high current peaks. Refer to the  $I_{DM}$  specification in the Absolute Maximum table to ensure the AAT 4250's maximum pulsed current rating is not exceeded. The duty cycle for both output current levels must be taken into account. To do so, first calculate the power dissipation at the nominal continuous current level, and then add in the additional power dissipation due to the short duration high current peak scaled by the duty factor.

For example, a 4V system using an AAT4250 operates at a continuous 100mA load current level and has short 2A current peaks, as in a GSM application. The current peak occurs for 576 $\mu s$  out of a 4.61ms period.

First, the current duty cycle is calculated:

$$\% \text{ Peak Duty Cycle: } X/100 = 576\mu s/4.61ms$$

$$\% \text{ Peak Duty Cycle} = 12.5\%$$

The load current is 100mA for 87.5% of the 4.61ms period and 2A for 12.5% of the period. Since the Electrical Characteristics do not report  $R_{DS MAX}$  for 4 volts operation, it must be calculated approximated

by consulting the chart of  $R_{DS(ON)}$  vs.  $V_{IN}$ . The  $R_{ds}$  reported for 5 volt  $R_{DS}$  can be scaled by the ratio seen in the chart to derive the  $R_{ds}$  for 4 volt  $V_{IN}$ :  $175m\Omega \times 120m\Omega/115m\Omega = 183m\Omega$ . Derated for temperature:  $183m\Omega \times (1 + .002800 \times (125^\circ C - 25^\circ C)) = 235m\Omega$ . The power dissipation for a 100mA load is calculated as follows:

$$P_{D(MAX)} = I_{OUT}^2 \times R_{DS}$$

$$P_{D(100mA)} = (100mA)^2 \times 235m\Omega$$

$$P_{D(100mA)} = 2.35mW$$

$$P_{D(87.5\%D/C)} = \%DC \times P_{D(100mA)}$$

$$P_{D(87.5\%D/C)} = 0.875 \times 2.35mW$$

$$P_{D(87.5\%D/C)} = 2.1mW$$

The power dissipation for 100mA load at 87.5% duty cycle is 2.1mW. Now the power dissipation for the remaining 12.5% of the duty cycle at 2A is calculated:

$$P_{D(MAX)} = I_{OUT}^2 \times R_{DS}$$

$$P_{D(2A)} = (2A)^2 \times 235m\Omega$$

$$P_{D(2A)} = 940mW$$

$$P_{D(12.5\%D/C)} = \%DC \times P_{D(2A)}$$

$$P_{D(12.5\%D/C)} = 0.125 \times 940mW$$

$$P_{D(12.5\%D/C)} = 117.5mW$$

The power dissipation for 2A load at 12.5% duty cycle is 117mW. Finally, the two power figures are summed to determine the total true power dissipation under the varied load.

$$P_{D(total)} = P_{D(100mA)} + P_{D(2A)}$$

$$P_{D(total)} = 2.1mW + 117.5mW$$

$$P_{D(total)} = 120mW$$

The maximum power dissipation for the AAT4250 operating at an ambient temperature of 85 $^\circ C$  is 267mW. The device in this example will have a total power dissipation of 120mW. This is well within the thermal limits for safe operation of the device, in fact, at 85 $^\circ C$ , the AAT4250 will handle a 2A pulse for up to 28% duty cycle. At lower ambient temperatures the duty cycle can be further increased.

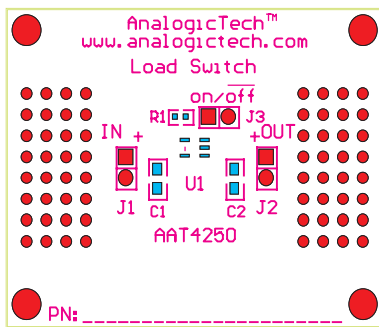
### Printed Circuit Board Layout Recommendations

For proper thermal management, and to take advantage of the low  $R_{DS(ON)}$  of the AAT4250, a few circuit board layout rules should be followed:  $V_{in}$  and  $V_{out}$  should be routed using wider than normal traces, and GND should be connected to a ground plane. For best performance,  $C_{IN}$  and  $C_{OUT}$  should be placed close to the package pins.

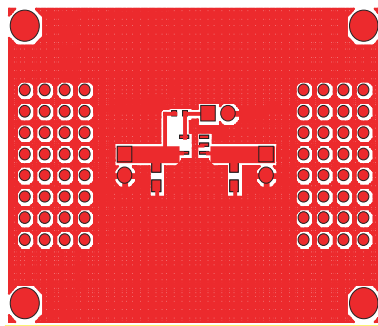
### Evaluation Board Layout

The AAT4250 evaluation layout follows the printed circuit board layout recommendations, and can be used for good applications layout.

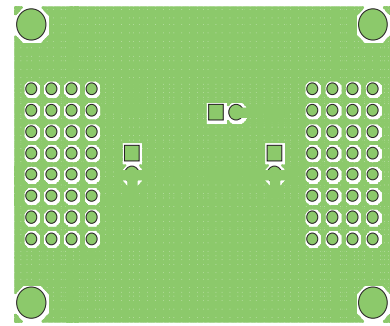
Note: Board layout shown is not to scale.



**Figure 1: Evaluation board top side silk screen layout / assembly drawing**



**Figure 2: Evaluation board component side layout**



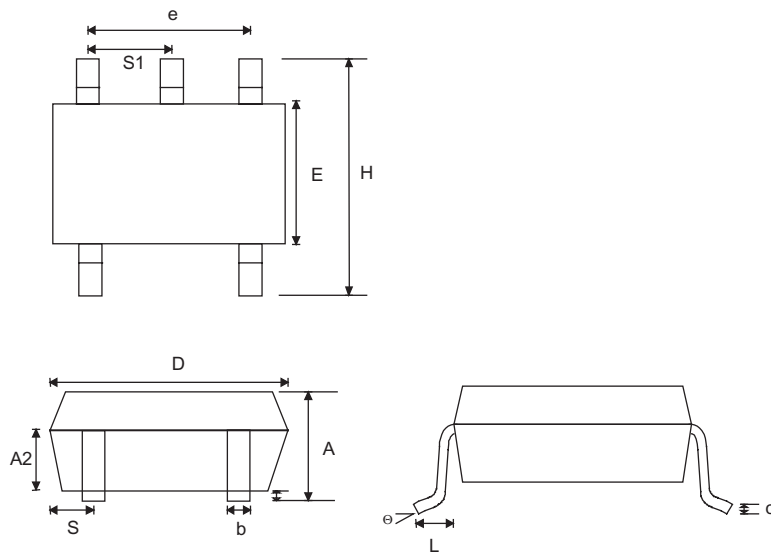
**Figure 3: Evaluation board solder side layout**

### Ordering Information

Package	Marking	Part Number	
		Bulk	Tape and Reel
SOT23-5		N/A	AAT4250IGV-T1
SC70JW-8		N/A	AAT4250IJS-T1

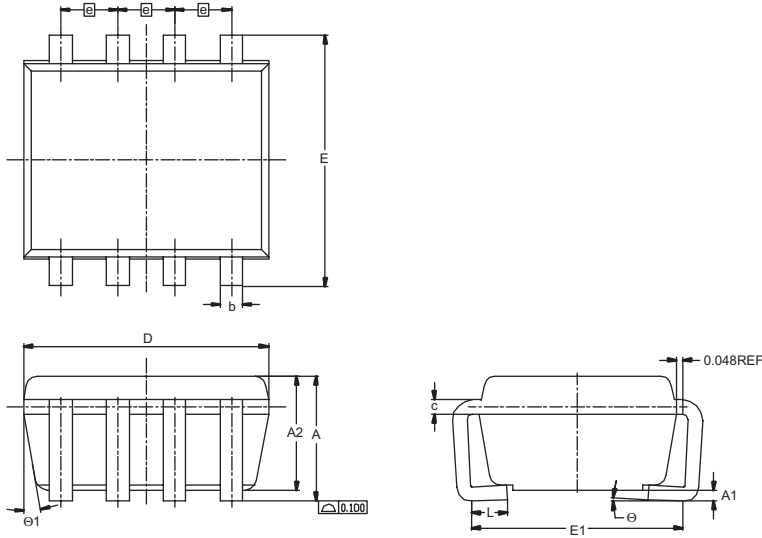
### Package Information

#### SOT23-5



Dim	Millimeters		Inches	
	Min	Max	Min	Max
A	1.00	1.30	0.039	0.051
A1	0.00	0.10	0.000	0.004
A2	0.70	0.90	0.028	0.035
b	0.35	0.50	0.014	0.020
c	0.10	0.25	0.004	0.010
D	2.70	3.10	0.106	0.122
E	1.40	1.80	0.055	0.071
e	1.90		0.075	
H	2.60	3.00	0.102	0.118
L	0.37		0.015	
S	0.45	0.55	0.018	0.022
S1	0.85	1.05	0.033	0.041
$\theta$	1°	9°	1°	9°

### SC70JW-8



Dim	Millimeters		Inches	
	Min	Max	Min	Max
E	2.10 BSC		0.083 BSC	
E1	1.75	2.00	0.069	0.079
L	0.23	0.40	0.009	0.016
A		1.10		0.043
A1	0	0.10		0.004
A2	0.70	1.00	0.028	0.039
D	2.00 BSC		0.079 BSC	
e	0.50 BSC		0.020 BSC	
b	0.15	0.30	0.006	0.012
c	0.10	0.20	0.004	0.008
Θ	0	8°	0	8°
Θ1	4°	10°	4°	10°