

150KHz, 2A PWM Buck DC/DC Converter

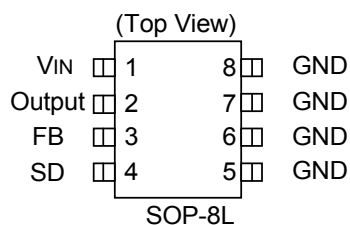
■ Features

- Output voltage: 3.3V, 5V, 12V and adjustable output version
- Adjustable version output voltage range, 1.23V to 18V+4%
- 150KHz $\pm 15\%$ fixed switching frequency
- Voltage mode non-synchronous PWM control
- Thermal-shutdown and current-limit protection
- ON/OFF shutdown control input
- Operating voltage can be up to 22V
- Output load current: 2A
- SOP-8L packages
- Low power standby mode
- Built-in switching transistor on chip

■ Applications

- Simple High-efficiency step-down regulator
- On-card switching regulators
- Positive to negative converter

■ Pin Assignments



■ General Description

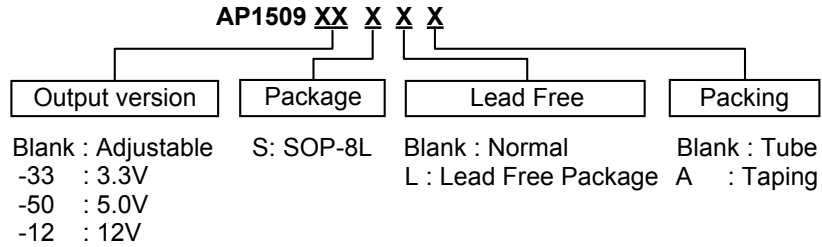
The AP1509 series are monolithic IC designed for a step-down DC/DC converter, and own the ability of driving a 2A load without additional transistor component. Due to reducing the number of external component, the board space can be saved easily. The external shutdown function can be controlled by logic level and then come into standby mode. The internal compensation makes feedback control have good line and load regulation without external design. Regarding protected function, thermal shutdown is to prevent over temperature operating from damage, and current limit is against over current operating of the output switch. If current limit function occurred and V_{FB} is down to 0.5V below, the switching frequency will be reduced. The AP1509 series operates at a switching frequency of 150KHz thus allowing smaller sized filter components than what would be needed with lower frequency switching regulators. Other features include a guaranteed $\pm 4\%$ tolerance on output voltage under specified input voltage and output load conditions, and $\pm 15\%$ on the oscillator frequency. The output version included fixed 3.3V, 5V, 12V, and an adjustable type. The packages are available in a standard 8-lead SOP-8 package.

■ Pin Descriptions

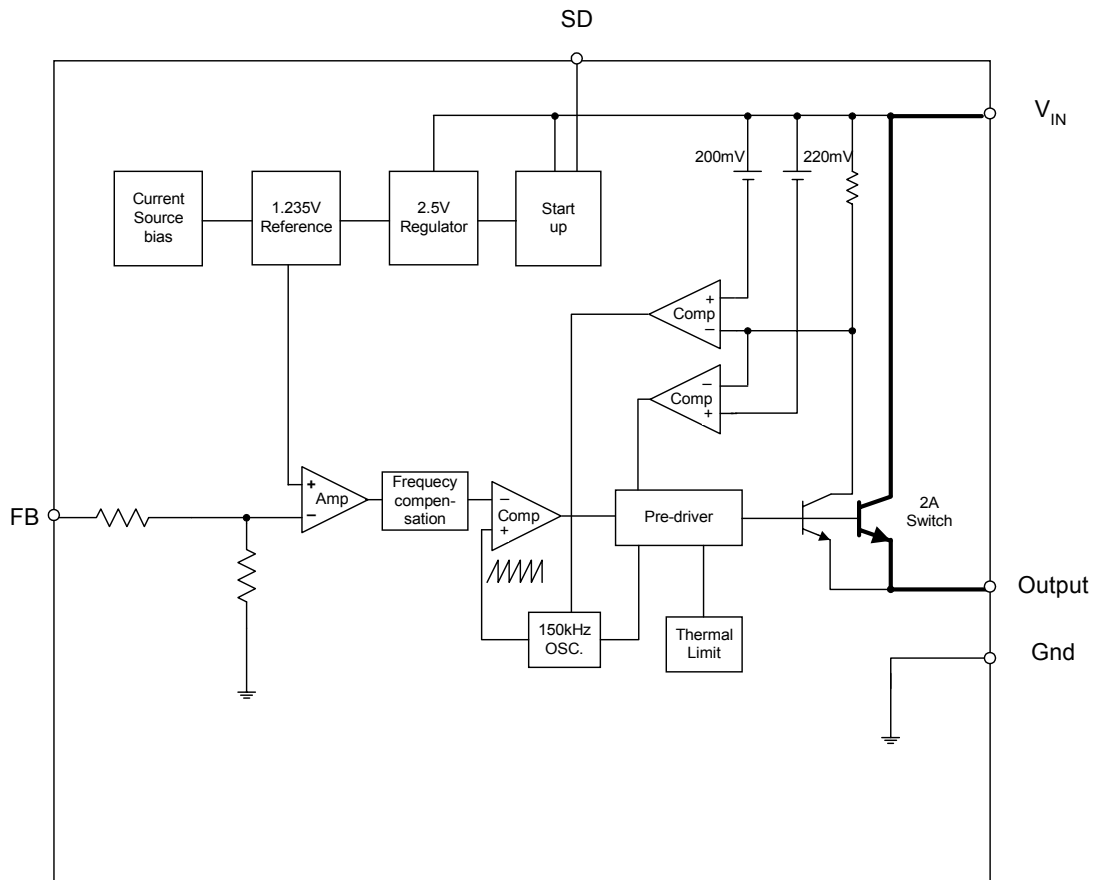
| Name | Description |
|----------|---------------------------------|
| V_{IN} | Operating voltage input |
| Output | Switching output |
| GND | Ground |
| FB | Output voltage feedback control |
| SD | ON/OFF Shutdown |

150KHz, 2A PWM Buck DC/DC Converter

■ Ordering Information



■ Block Diagram



150KHz, 2A PWM Buck DC/DC Converter
■ Absolute Maximum Ratings

| Symbol | Parameter | Rating | Unit |
|------------------|--------------------------|--------------------|------|
| V _{CC} | Supply Voltage | +24 | V |
| V _{SD} | ON/OFF Pin input voltage | -0.3 to +18 | V |
| V _{FB} | Feedback Pin voltage | -0.3 to +18 | V |
| V _{OUT} | Output voltage to Ground | -1 | V |
| P _D | Power dissipation | Internally limited | W |
| T _{ST} | Storage temperature | -65 to +150 | °C |
| T _{OP} | Operating temperature | -40 to +125 | °C |
| V _{OP} | Operating voltage | +4.5 to +22 | V |

■ Electrical Characteristics (All Output Voltage Versions)

Unless otherwise specified, V_{IN}=12V for 3.3V, 5V, adjustable version and V_{IN}=18V for the 12V version. I_{LOAD} = 0.5A

| Symbol | Parameter | | Conditions | Min. | Typ. | Max. | Unit |
|-------------------|--|------------------------|---|---------------------|------|-------------------|------|
| I _B | Feedback bias current | | V _{FB} =1.3V (Adjustable version only) | | -10 | -50 -100 | nA |
| F _{OSC} | Oscillator frequency | | | 127 110 | 150 | 173 173 | KHz |
| F _{SCP} | Oscillator frequency of short circuit protect | | When current limit occurred and V _{FB} < 0.5V, Ta=25°C | 5 | 15 | 25 | KHz |
| V _{SAT} | Saturation voltage | | I _{OUT} =2A No outside circuit V _{FB} =0V force driver on | | 1.25 | 1.4 1.5 | V |
| DC | Max. Duty Cycle (ON) | | V _{FB} =0V force driver on | | 100 | | % |
| | Min. Duty Cycle (OFF) | | V _{FB} =12V force driver off | | 0 | | |
| I _{CL} | Current limit | | Peak current No outside circuit V _{FB} =0V force driver on | 3 | | | A |
| I _L | Output = 0 | Output leakage current | No outside circuit V _{FB} =12V force driver off | | | -200 | uA |
| | Output = -1 | | V _{IN} =22V | | -5 | | |
| I _Q | Quiescent Current | | V _{FB} =12V force driver off | | 5 | 10 | mA |
| I _{STBY} | Standby Quiescent Current | | ON/OFF pin=5V V _{IN} =22V | | 70 | 150 200 | uA |
| V _{IL} | ON/OFF pin logic input threshold voltage | | Low (regulator ON) | - | 1.3 | 0.6 | V |
| V _{IH} | | | High (regulator OFF) | 2.0 | | - | |
| I _H | ON/OFF pin logic input current | | V _{LOGIC} =2.5V (OFF) | | | -0.01 | uA |
| I _L | ON/OFF pin input current | | V _{LOGIC} =0.5V (ON) | | -0.1 | -1 | |
| θ _{JC} | Thermal Resistance | | SOP-8L | Junction to case | 15 | | °C/W |
| θ _{JA} | Thermal Resistance With copper area of approximately 3 in ² | | SOP-8L | Junction to ambient | 70 | | °C/W |

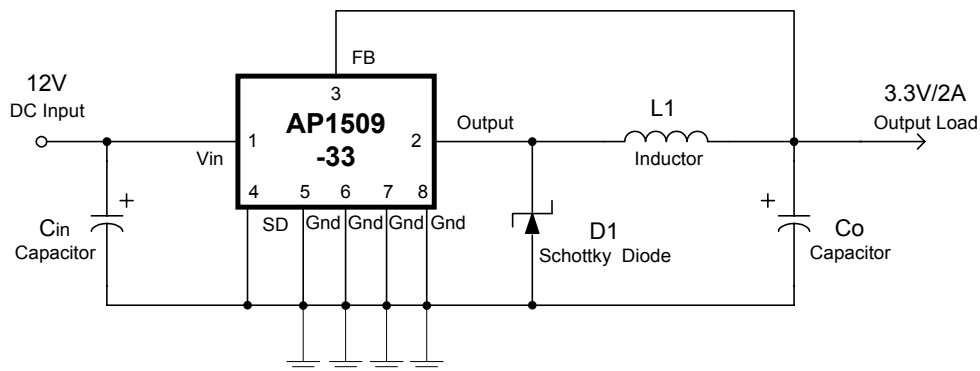
150KHz, 2A PWM Buck DC/DC Converter

■ Electrical Characteristics (Continued)

| | Symbol | Parameter | Conditions | Typ. | Limit | Unit |
|-------------|-----------|-----------------|--|------|--|-----------------------------|
| AP1509-ADJ | V_{FB} | Output Feedback | $4.5V \leq V_{IN} \leq 22V$ $0.2A \leq I_{LOAD} \leq 2A$ V_{OUT} programmed for 3V | 1.23 | 1.193/1.18 1.267/1.28 | V V_{MIN} V_{MAX} |
| | η | Efficiency | $V_{IN} = 12V, I_{LOAD}=2A$ | 76 | | % |
| AP1509-3.3V | V_{OUT} | Output voltage | $4.75V \leq V_{IN} \leq 22V$ $0.2A \leq I_{LOAD} \leq 2A$ | 3.3 | 3.168/3.135 3.432/3.465 | V V_{MIN} V_{MAX} |
| | η | Efficiency | $V_{IN} = 12V, I_{LOAD}=2A$ | 78 | | % |
| AP1509-5V | V_{OUT} | Output voltage | $7V \leq V_{IN} \leq 22V$ $0.2A \leq I_{LOAD} \leq 2A$ | 5 | 4.8/4.75 5.2/5.25 | V V_{MIN} V_{MAX} |
| | η | Efficiency | $V_{IN} = 12V, I_{LOAD}=2A$ | 83 | | % |
| AP1509-12V | V_{OUT} | Output voltage | $15V \leq V_{IN} \leq 22V$ $0.2A \leq I_{LOAD} \leq 2A$ | 12 | 11.52/11.4 12.48/12.6 | V V_{MIN} V_{MAX} |
| | η | Efficiency | $V_{IN} = 15V, I_{LOAD} = 2A$ | 90 | | % |

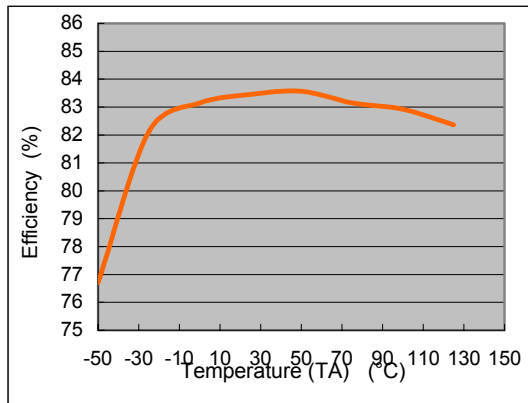
Specifications with **boldface type** are for full operating temperature range, the other type are for $T_J=25^\circ C$.

■ Typical Application Circuit

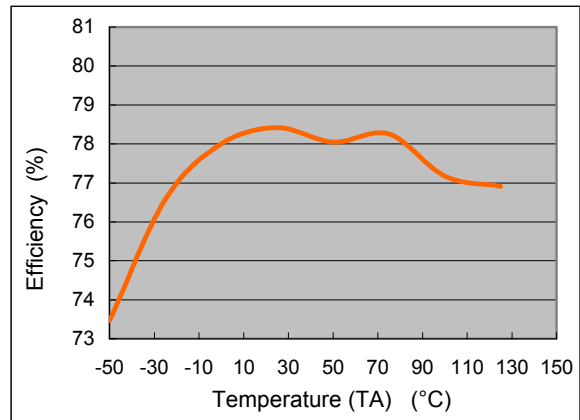


■ Typical Performance Characteristics

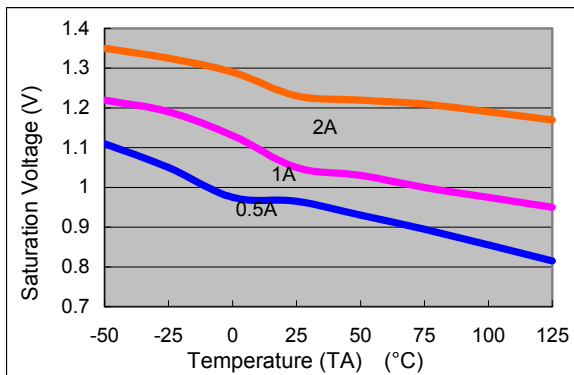
AP1509 Efficiency v.s. Temperature
($V_{in}=12V, V_{out}=5V, I_o=2A$)



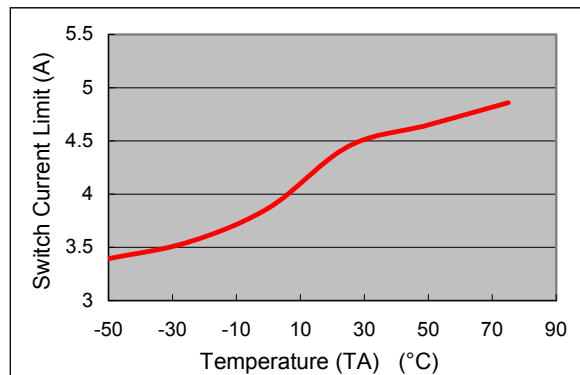
AP1509 Efficiency v.s. Temperature
($V_{in}=12V, V_{out}=3.3V, I_o=2A$)



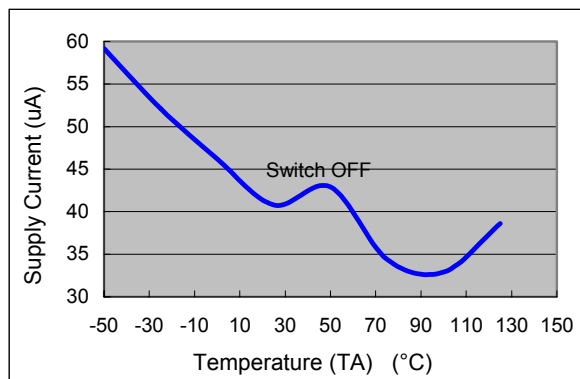
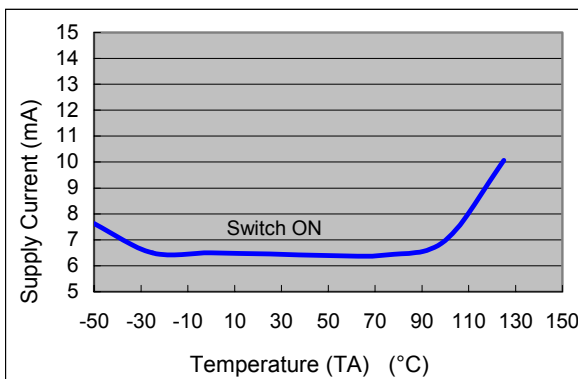
AP1509 Saturation Voltage v.s. Temperature
($V_{cc}=12V, V_{fb}=0V, V_{SD}=0$)



AP1509 Switch Current Limit v.s. Temperature
($V_{cc}=12V, V_{fb}=0V$)

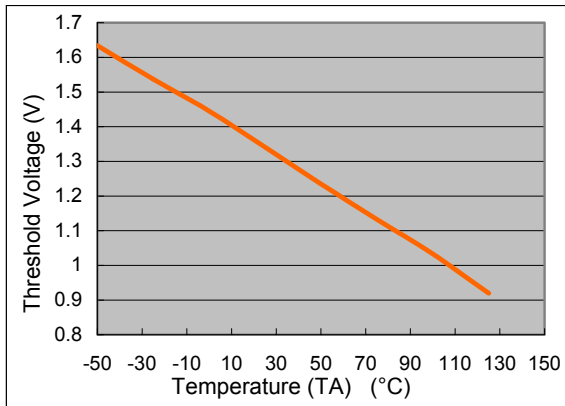


AP1509 Supply Current v.s. Temperature
($V_{cc}=12V$, No Load, $V_{on/off}=0V$ (Switch ON), $V_{on/off}=5V$ (Switch OFF))

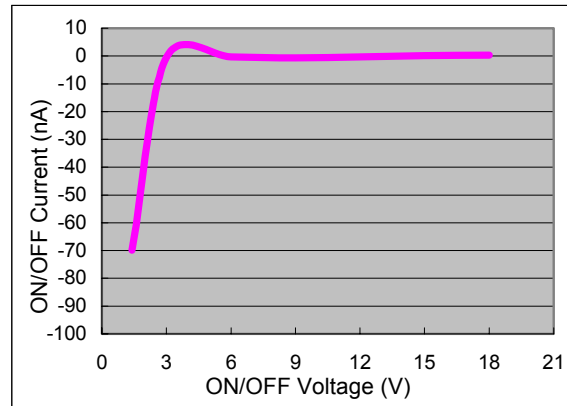


■ Typical Performance Characteristics (Continued)

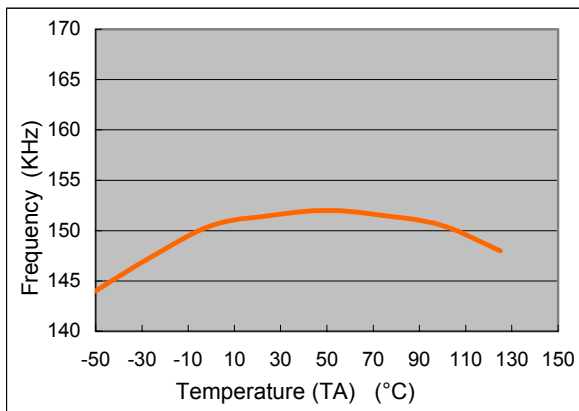
AP1509 Threshold Voltage v.s. Temperature
(Vcc=12V, Io=100mA)



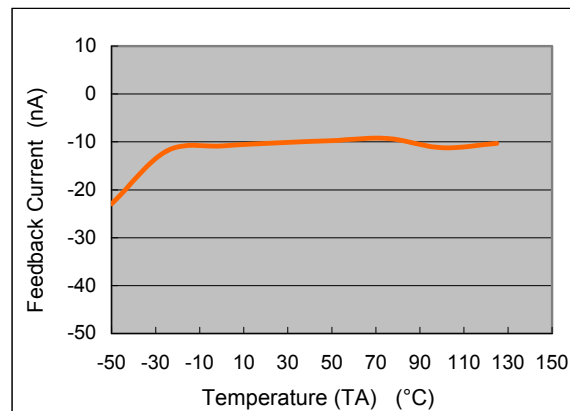
AP1509 ON/OFF Current v.s. ON/OFF Voltage
(Vin=12V)



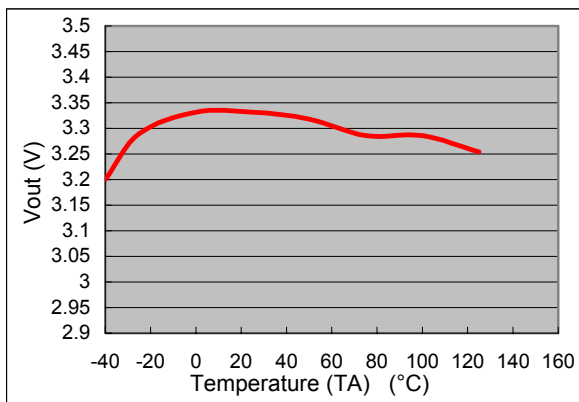
AP1509 Frequency v.s. Temperature
(Vcc=12V, Io=500mA, Vout=5V)



AP1509 Feedback Current v.s. Temperature
(Vcc=12V, Vout=5V, Vfb=1.3V)



AP1509 Output Voltage v.s. Temperature
(Vin=12V, Io=2A)



■ Function Description

Pin Functions

+V_{IN}

This is the positive input supply for the IC switching regulator. A suitable input bypass capacitor must be present at this pin to minimize voltage transients and to supply the switching currents needed by the regulator.

Ground

Circuit ground.

Output

Internal switch. The voltage at this pin switches between (+V_{IN} - V_{SAT}) and approximately - 0.5V, with a duty cycle of approximately V_{OUT} / V_{IN}. To minimize coupling to sensitive circuitry, the PC board copper area connected to this pin should be kept a minimum.

Feedback

Senses the regulated output voltage to complete the feedback loop.

SD

Allows the switching regulator circuit to be shutdown using logic level signals thus dropping the total input supply current to approximately 150uA. Pulling this pin below a threshold voltage of approximately 1.3V turns the regulator on, and pulling this pin above 1.3V (up to a maximum of 18V) shuts the regulator down. If this shutdown feature is not needed, the SD pin can be wired to the ground pin or it can be left open, in either case the regulator will be in the ON condition.

Thermal Considerations

The SOP-8 package needs a heat sink under most conditions. The size of the heatsink depends on the input voltage, the output voltage, the load current and the ambient temperature. The AP1509 junction temperature rises above ambient temperature for a 2A load and different input and output voltages. The data for these curves was taken with the AP1509 (SOP-8 package) operating as a buck-switching regulator in an ambient temperature of 25°C (still air). These temperature rise numbers are all approximate and there are many factors that can affect these temperatures. Higher ambient temperatures require more heat sinking.

For the best thermal performance, wide copper traces and generous amounts of printed circuit board copper should be used in the board layout. (Once exception to this is the output (switch) pin, which should not have large areas of copper.) Large areas of copper provide the best transfer of heat (lower thermal resistance) to the surrounding air, and moving air lowers the thermal resistance even further.

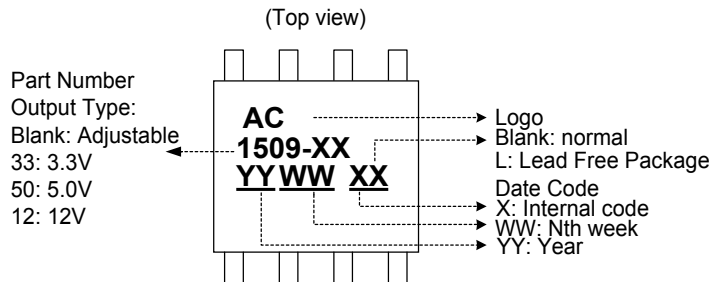
Package thermal resistance and junction temperature rise numbers are all approximate, and there are many factors that will affect these numbers. Some of these factors include board size, shape, thickness, position, location, and even board temperature. Other factors are, trace width, total printed circuit copper area, copper thickness, single or double-sided, multi-layer board and the amount of solder on the board.

The effectiveness of the PC board to dissipate heat also depends on the size, quantity and spacing of other components on the board, as well as whether the surrounding air is still or moving. Furthermore, some of these components such as the catch diode will add heat to the PC board and the heat can vary as the input voltage changes. For the inductor, depending on the physical size, type of core material and the DC resistance, it could either act as a heat sink taking heat away from the board, or it could add heat to the board.

150KHz, 2A PWM Buck DC/DC Converter

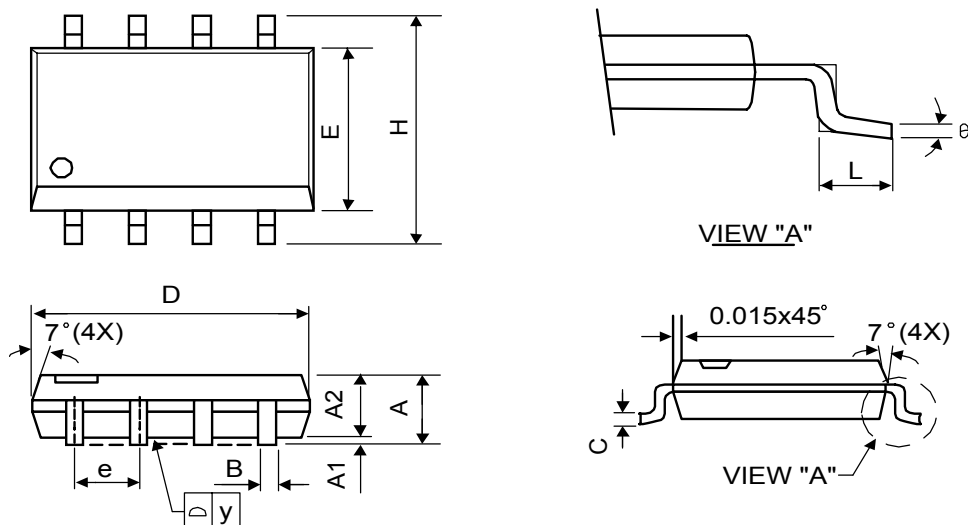
■ Marking Information

SOP-8L



■ Package Information

Package Type: SOP-8L



| Symbol | Dimensions In Millimeters | | | Dimensions In Inches | | |
|--------|---------------------------|------|------|----------------------|-------|-------|
| | Min. | Nom. | Max. | Min. | Nom. | Max. |
| A | 1.40 | 1.60 | 1.75 | 0.055 | 0.063 | 0.069 |
| A1 | 0.10 | - | 0.25 | 0.040 | - | 0.100 |
| A2 | 1.30 | 1.45 | 1.50 | 0.051 | 0.057 | 0.059 |
| B | 0.33 | 0.41 | 0.51 | 0.013 | 0.016 | 0.020 |
| C | 0.19 | 0.20 | 0.25 | 0.0075 | 0.008 | 0.010 |
| D | 4.80 | 5.05 | 5.30 | 0.189 | 0.199 | 0.209 |
| E | 3.70 | 3.90 | 4.10 | 0.146 | 0.154 | 0.161 |
| e | - | 1.27 | - | - | 0.050 | - |
| H | 5.79 | 5.99 | 6.20 | 0.228 | 0.236 | 0.244 |
| L | 0.38 | 0.71 | 1.27 | 0.015 | 0.028 | 0.050 |
| y | - | - | 0.10 | - | - | 0.004 |
| θ | 0° | - | 8° | 0° | - | 8° |