

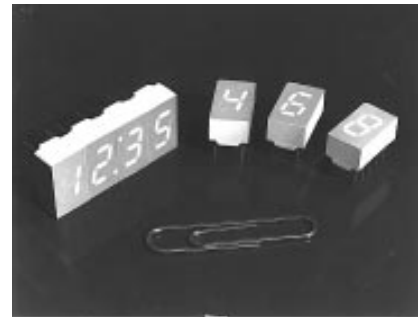
7.6 mm (0.3 inch) Micro Bright Seven Segment Displays

Technical Data

HDSP-740x Series
HDSP-750x Series
HDSP-780x Series
HDSP-A15x Series
HDSP-A40x Series

Features

- **Available with Colon for Clock Display**
- **Compact Package**
0.300 x 0.500 inches
Leads on 2.54 mm (0.1 inch) Centers
- **Choice of Colors**
AlGaAs Red, High Efficiency Red, Yellow, Green, Orange
- **Excellent Appearance**
Evenly Lighted Segments
Mitered Corners on Segments
Surface Color Gives Optimum Contrast
 $\pm 50^\circ$ Viewing Angle
- **Design Flexibility**
Common Anode or Common Cathode
- **Right Hand Decimal Point ± 1 . Overflow Character**
- **Categorized for Luminous Intensity**
Yellow and Green Categorized for Color
Use of Like Categories Yields a Uniform Display
- **High Light Output**
- **High Peak Current**
- **Excellent for Long Digit String Multiplexing**
- **Intensity and Color Selection Available**
See Intensity and Color Selected Displays Data Sheet
- **Sunlight Viewable AlGaAs**



Description

The 7.6 mm (0.3 inch) LED seven segment displays are designed for viewing distances up to 3 metres (10 feet). These devices use an industry standard size package and pinout. Both the numeric and

Devices

| Orange HDSP- | AlGaAs ^[1] HDSP- | HER ^[1] HDSP- | Yellow ^[1] HDSP- | Green ^[1] HDSP- | Description | Package Drawing |
|--------------|-----------------------------|--------------------------|-----------------------------|----------------------------|--|-----------------|
| A401 | A151 | 7501 | 7401 | 7801 | Common Anode Right Hand Decimal | A |
| | | 7502 | 7402 | 7802 | Common Anode Right Hand Decimal, Colon | B |
| A403 | A153 | 7503 | 7403 | 7803 | Common Cathode Right Hand Decimal | C |
| | | 7504 | 7404 | 7804 | Common Cathode Right Hand Decimal, Colon | D |
| | A157 | 7507 | 7407 | 7807 | Common Anode ± 1 . Overflow | E |
| | A158 | 7508 | 7408 | 7808 | Common Cathode ± 1 . Overflow | F |

Note:

1. These displays are recommended for high ambient light operation. Please refer to the HDSP-A10X AlGaAs, HDSP-335X HER, HDSP-A80X Yellow, and HDSP-A90X Green data sheet for low current operation.

± 1. overflow devices feature a right hand decimal point. All devices are available as either common anode or common cathode.

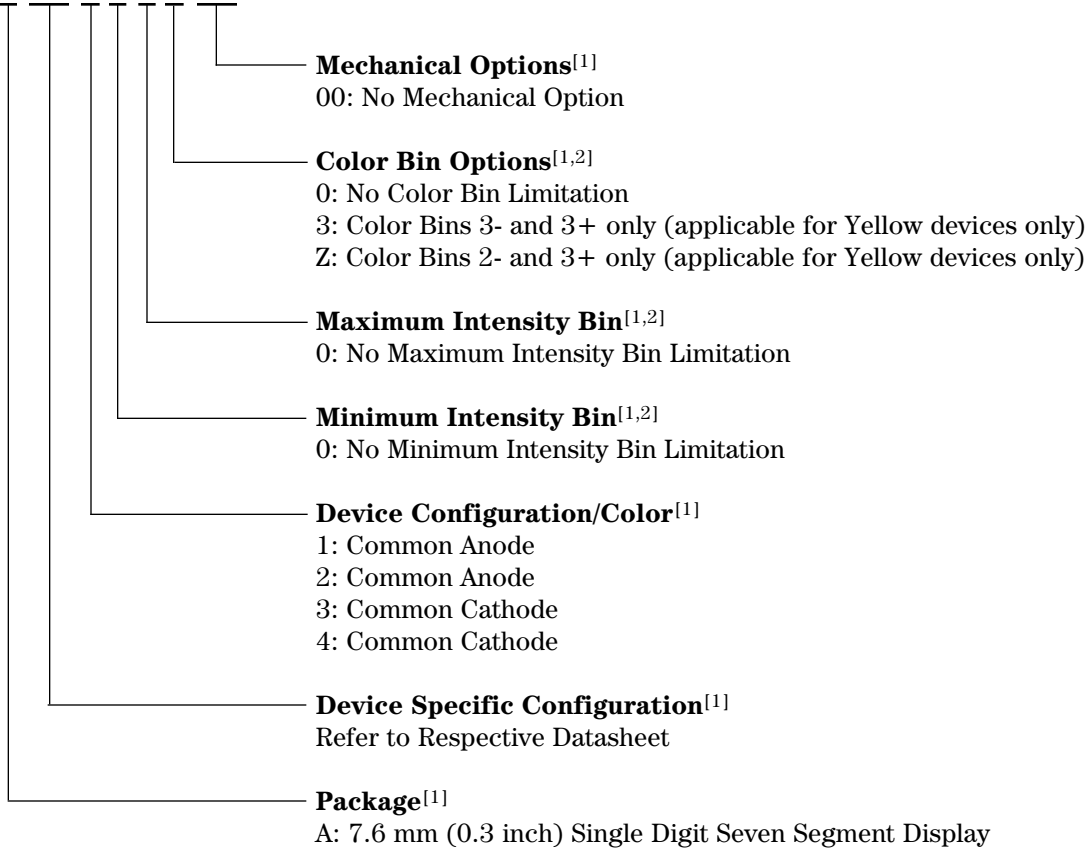
These displays are ideal for most applications. Pin for pin equivalent displays are also available in a low current design. The low current displays are ideal for

portable applications. For additional information see the Low Current Seven Segment Displays.

Part Numbering System

5082 -X X X X-X X X X X

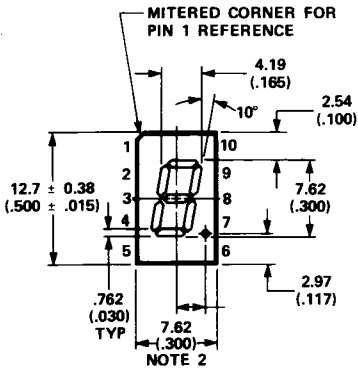
HDSP-X X X X-X X X X X



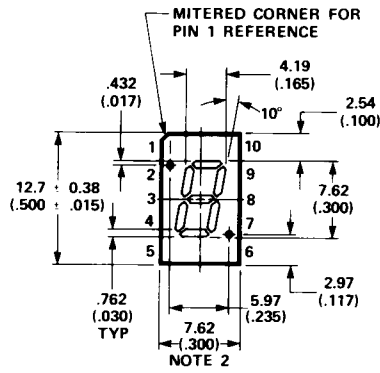
Notes:

- For codes not listed in the figure above, please refer to the respective datasheet or contact your nearest Agilent representative for details.
- Bin options refer to shippable bins for a part number. Color and Intensity Bins are typically restricted to 1 bin per tube (exceptions may apply). Please refer to respective datasheet for specific bin limit information.

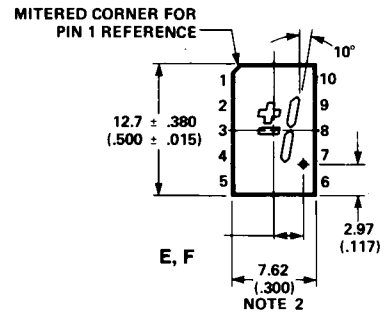
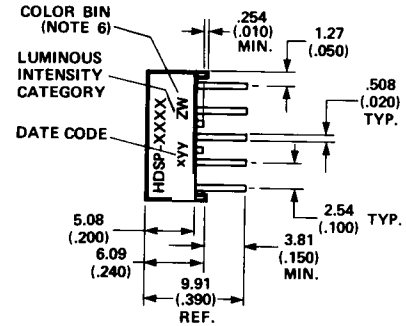
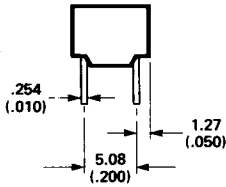
Package Dimensions



A, C



B, D

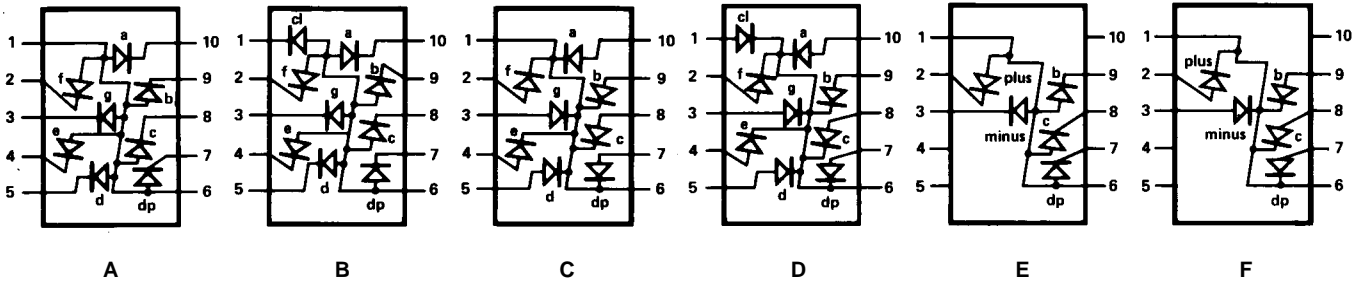


E, F

- NOTES:
 1. ALL DIMENSIONS IN MILLIMETRES (INCHES).
 2. MAXIMUM.
 3. ALL UNTOLERANCED DIMENSIONS ARE FOR REFERENCE ONLY.
 4. REDUNDANT ANODES.
 5. REDUNDANT CATHODES.
 6. FOR HDSF-7400/7800 SERIES PRODUCT ONLY.

| PIN | FUNCTION | | | | | |
|-----|------------|---------------|-------------|-------------|---------------|-------------|
| | A | B | C | D | E | F |
| 1 | ANODE [4] | CATHODE COLON | CATHODE [5] | ANODE COLON | ANODE [4] | CATHODE [5] |
| 2 | CATHODE f | CATHODE f | ANODE f | ANODE f | CATHODE PLUS | ANODE PLUS |
| 3 | CATHODE g | CATHODE g | ANODE g | ANODE g | CATHODE MINUS | ANODE MINUS |
| 4 | CATHODE e | CATHODE e | ANODE e | ANODE e | NC | NC |
| 5 | CATHODE d | CATHODE d | ANODE d | ANODE d | NC | NC |
| 6 | ANODE [4] | ANODE | CATHODE [5] | CATHODE | ANODE [4] | CATHODE [5] |
| 7 | CATHODE DP | CATHODE DP | ANODE DP | ANODE DP | CATHODE DP | ANODE DP |
| 8 | CATHODE c | CATHODE c | ANODE c | ANODE c | CATHODE c | ANODE c |
| 9 | CATHODE b | CATHODE b | ANODE b | ANODE b | CATHODE b | ANODE b |
| 10 | CATHODE a | CATHODE a | ANODE a | ANODE a | NC | NC |

Internal Circuit Diagram



Absolute Maximum Ratings

| Description | AlGaAs Red HDSP-A150 Series | HER/Orange HDSP-7500/-A40X Series | Yellow HDSP-7400 Series | Green HDSP-7800 Series | Units |
|---|-----------------------------|-----------------------------------|-------------------------|------------------------|-------|
| Average Power per Segment or DP | 96 | 105 | 80 | 105 | mW |
| Peak Forward Current per Segment or DP | 160 ^[1] | 90 ^[3] | 60 ^[5] | 90 ^[7] | mA |
| DC Forward Current per Segment or DP | 40 ^[2] | 30 ^[4] | 20 ^[6] | 30 ^[8] | mA |
| Operating Temperature Range | -20 to +100 ^[9] | -40 to +100 | | | °C |
| Storage Temperature Range | -55 to +100 | | | | °C |
| Reverse Voltage per Segment or DP | 3.0 | | | | V |
| Lead Solder Temperature for 3 Seconds (1.59 mm [0.063 in.] below seating plane) | 260 | | | | °C |

Notes:

- See Figure 1 to establish pulsed conditions.
- Derate above 46°C at 0.54 mA/°C.
- See Figure 6 to establish pulsed conditions.
- Derate above 53°C at 0.45 mA/°C.
- See Figure 7 to establish pulsed conditions.
- Derate above 81°C at 0.52 mA/°C.
- See Figure 8 to establish pulsed conditions.
- Derate above 39°C at 0.37 mA/°C.
- For operation below -20°C, contact your local Agilent components sales office or an authorized distributor.

Electrical/Optical Characteristics at $T_A = 25^\circ\text{C}$

AlGaAs Red

| Device Series HDSP- | Parameter | Symbol | Min. | Typ. | Max. | Units | Test Conditions |
|--|--|-----------------------------|------|------|----------|-------|-------------------------|
| A15x | Luminous Intensity/Segment ^[1,2,5] (Digit Average) | I_V | 6.9 | 14.0 | | mcd | $I_F = 20 \text{ mA}$ |
| | Forward Voltage/Segment or DP | V_F | | 1.8 | | V | $I_F = 20 \text{ mA}$ |
| | | | | 2.0 | 3.0 | V | $I_F = 100 \text{ mA}$ |
| | Peak Wavelength | λ_{PEAK} | | 645 | | nm | |
| | Dominant Wavelength ^[3] | λ_d | | 637 | | nm | |
| | Reverse Voltage/Segment or DP ^[4] | V_R | 3.0 | 15.0 | | V | $I_R = 100 \mu\text{A}$ |
| | Temperature Coefficient of V_F /Segment or DP | $\Delta V_F/^\circ\text{C}$ | | -2 | | mV/°C | |
| Thermal Resistance LED Junction-to-Pin | $R\theta_{\text{J-PIN}}$ | | 255 | | °C/W/Seg | | |

High Efficiency Red

| Device Series HDSP- | Parameter | Symbol | Min. | Typ. | Max. | Units | Test Conditions |
|--|--|---------------------|------|------|----------|-------|-------------------------|
| 750x | Luminous Intensity/Segment ^[1,2,6] (Digit Average) | I _V | 360 | 980 | | μcd | I _F = 5 mA |
| | | | | 5390 | | | I _F = 20 mA |
| | Forward Voltage/Segment or DP | V _F | | 2.0 | 2.5 | V | I _F = 20 mA |
| | Peak Wavelength | λ _{PEAK} | | 635 | | nm | |
| | Dominant Wavelength ^[3] | λ _d | | 626 | | nm | |
| | Reverse Voltage/Segment or DP ^[4] | V _R | 3.0 | 30 | | V | I _R = 100 μA |
| | Temperature Coefficient of V _F /Segment or DP | ΔV _F /°C | | -2 | | mV/°C | |
| Thermal Resistance LED Junction-to-Pin | Rθ _{J-PIN} | | 200 | | °C/W/Seg | | |

Orange

| Device Series HDSP- | Parameter | Symbol | Min. | Typ. | Max. | Units | Test Conditions |
|--|--|---------------------|------|------|----------|-------|-------------------------|
| A40x | Luminous Intensity/Segment ^[1,2,6] (Digit Average) | I _V | | 0.70 | | mcd | I _F = 5 mA |
| | | | | | | | |
| | Forward Voltage/Segment or DP | V _F | | 2.0 | 2.5 | V | I _F = 20 mA |
| | Peak Wavelength | λ _{PEAK} | | 600 | | nm | |
| | Dominant Wavelength ^[3] | λ _d | | 603 | | nm | |
| | Reverse Voltage/Segment or DP ^[4] | V _R | 3.0 | 30 | | V | I _R = 100 μA |
| | Temperature Coefficient of V _F /Segment or DP | ΔV _F /°C | | -2 | | mV/°C | |
| Thermal Resistance LED Junction-to-Pin | Rθ _{J-PIN} | | 200 | | °C/W/Seg | | |

Yellow

| Device Series HDSP- | Parameter | Symbol | Min. | Typ. | Max. | Units | Test Conditions |
|--|--|-----------------------------|-------|------|------------------------|----------------------|-------------------------|
| 740x | Luminous Intensity/Segment ^[1,2,7] (Digit Average) | I_V | 225 | 480 | | μcd | $I_F = 5 \text{ mA}$ |
| | | | | 2740 | | | $I_F = 20 \text{ mA}$ |
| | Forward Voltage/Segment or DP | V_F | | 2.2 | 2.5 | V | $I_F = 20 \text{ mA}$ |
| | Peak Wavelength | λ_{PEAK} | | 583 | | nm | |
| | Dominant Wavelength ^[3,9] | λ_d | 581.5 | 586 | 592.5 | nm | |
| | Reverse Voltage/Segment or DP ^[4] | V_R | 3.0 | 50.0 | | V | $I_R = 100 \mu\text{A}$ |
| | Temperature Coefficient of V_F /Segment or DP | $\Delta V_F/^\circ\text{C}$ | | -2 | | mV/ $^\circ\text{C}$ | |
| Thermal Resistance LED Junction-to-Pin | $R\theta_{\text{J-PIN}}$ | | 200 | | $^\circ\text{C/W/Seg}$ | | |

High Performance Green

| Device Series HDSP- | Parameter | Symbol | Min. | Typ. | Max. | Units | Test Conditions |
|--|--|-----------------------------|------|------|------------------------|----------------------|-------------------------|
| 780x | Luminous Intensity/Segment ^[1,2,8] (Digit Average) | I_V | 860 | 3000 | | μcd | $I_F = 10 \text{ mA}$ |
| | | | | 6800 | | | $I_F = 20 \text{ mA}$ |
| | Forward Voltage/Segment or DP | V_F | | 2.1 | 2.5 | V | $I_F = 10 \text{ mA}$ |
| | Peak Wavelength | λ_{PEAK} | | 566 | | nm | |
| | Dominant Wavelength ^[3,9] | λ_d | | 571 | 577 | nm | |
| | Reverse Voltage/Segment or DP ^[4] | V_R | 3.0 | 50.0 | | V | $I_R = 100 \mu\text{A}$ |
| | Temperature Coefficient of V_F /Segment or DP | $\Delta V_F/^\circ\text{C}$ | | -2 | | mV/ $^\circ\text{C}$ | |
| Thermal Resistance LED Junction-to-Pin | $R\theta_{\text{J-PIN}}$ | | 200 | | $^\circ\text{C/W/Seg}$ | | |

Notes:

- Case temperature of device immediately prior to the intensity measurement is 25 $^\circ\text{C}$.
- The digits are categorized for luminous intensity. The intensity category is designated by a letter on the side of the package.
- The dominant wavelength, λ_d , is derived from the CIE chromaticity diagram and is that single wavelength which defines the color of the device.
- Typical specification for reference only. Do not exceed absolute maximum ratings.
- For low current operation the AlGaAs HDSP-A101 series displays are recommended.
- For low current operation the HER HDSP-7511 series displays are recommended.
- For low current operation the Yellow HDSP-A801 series displays are recommended.
- For low current operation the Green HDSP-A901 series displays are recommended.
- The yellow (HDSP-7400) and Green (HDSP-7800) displays are categorized for dominant wavelength. The category is designated by a number adjacent to the luminous intensity category letter.

AlGaAs Red

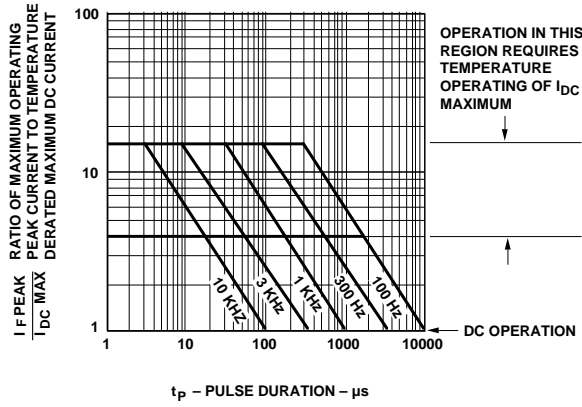


Figure 1. Maximum Allowed Peak Current vs. Pulse Duration - AlGaAs Red.

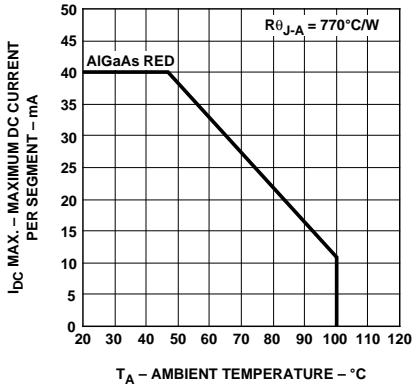


Figure 2. Maximum Allowable DC Current per Segment as a Function of Ambient Temperature.

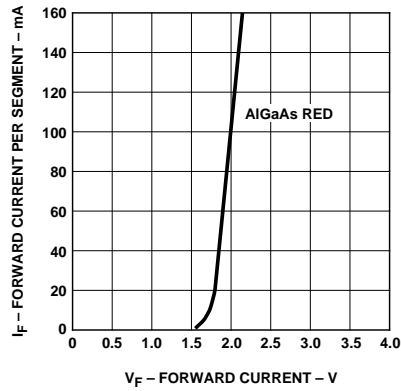


Figure 3. Forward Current vs. Forward Voltage.

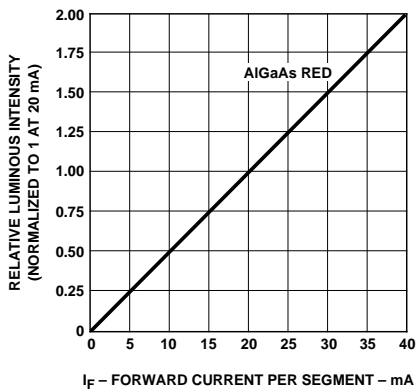


Figure 4. Relative Luminous Intensity vs. DC Forward Current.

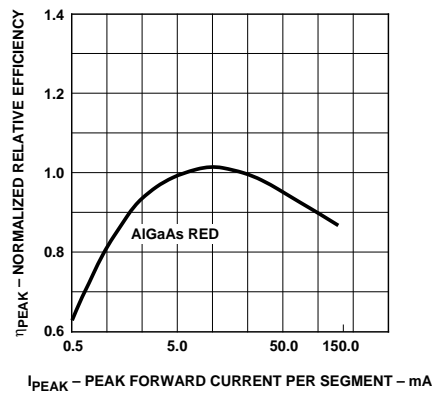


Figure 5. Relative Efficiency (Luminous Intensity per Unit Current) vs. Peak Current.

HER, Yellow, Green, Orange

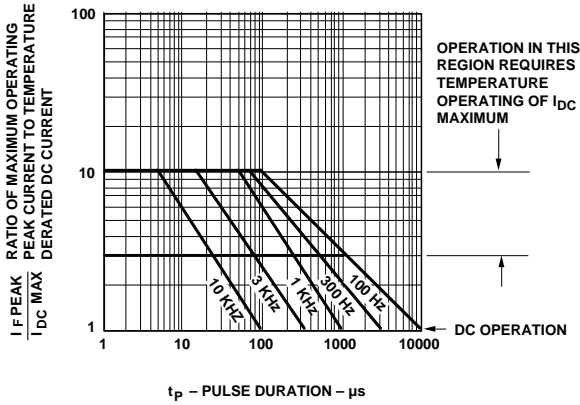


Figure 6. Maximum Tolerable Peak Current vs. Pulse Duration - HER, Orange.

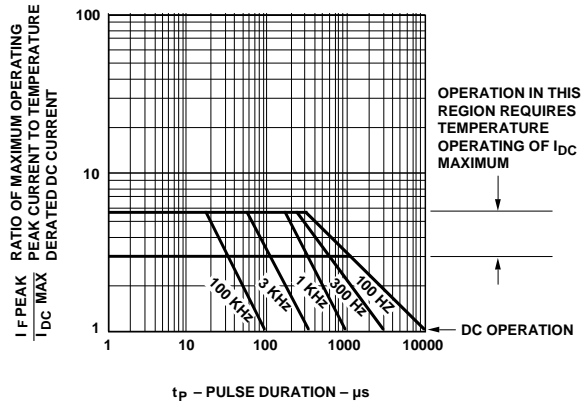


Figure 7. Maximum Tolerable Peak Current vs. Pulse Duration - Yellow.

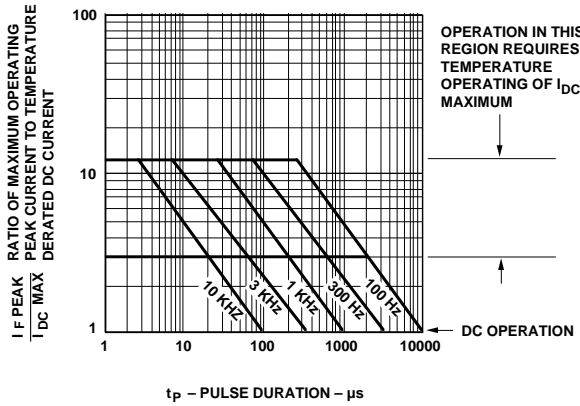


Figure 8. Allowable Peak Current vs. Pulse Duration - Green.

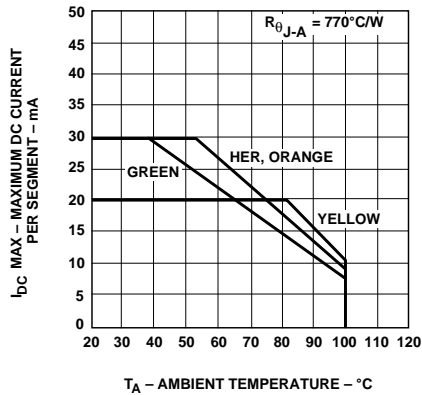


Figure 9. Maximum Allowable DC Current per Segment as a Function of Ambient Temperature.

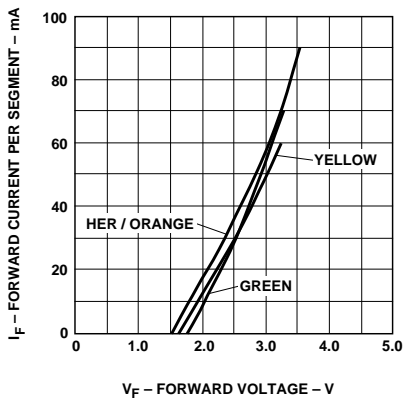


Figure 10. Forward Current vs. Forward Voltage Characteristics.

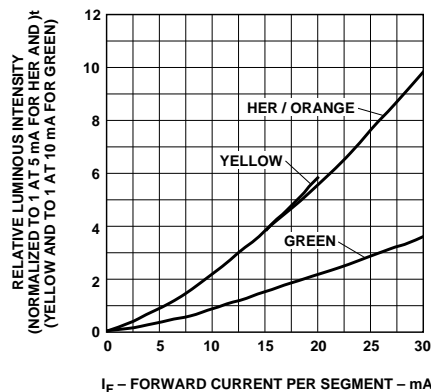


Figure 11. Relative Luminous Intensity vs. DC Forward Current.

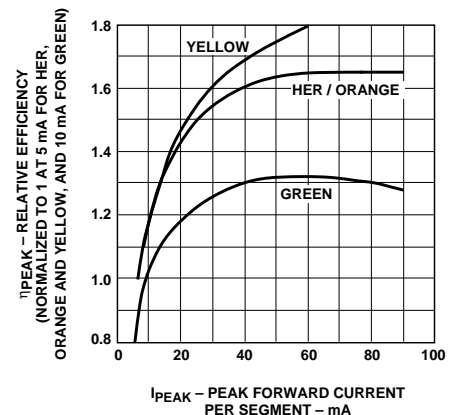


Figure 12. Relative Efficiency (Luminous Intensity per Unit Current) vs. Peak Current.

Intensity Bin Limits (mcd)
AlGaAs Red

| HDSP-A15x | | |
|------------------------|-------------|-------------|
| IV Bin Category | Min. | Max. |
| M | 7.07 | 13.00 |
| N | 10.60 | 19.40 |
| O | 15.90 | 29.20 |
| P | 23.90 | 43.80 |
| Q | 35.80 | 65.60 |

HER

| HDSP-750x | | |
|------------------------|-------------|-------------|
| IV Bin Category | Min. | Max. |
| B | 0.342 | 0.630 |
| C | 0.516 | 0.946 |
| D | 0.774 | 1.418 |
| E | 1.160 | 2.127 |
| F | 1.740 | 3.190 |
| G | 2.610 | 4.785 |
| H | 3.915 | 7.177 |

Orange

| HDSP-A40X | | |
|------------------------|-------------|-------------|
| IV Bin Category | Min. | Max. |
| A | 0.284 | 0.433 |
| B | 0.354 | 0.541 |
| C | 0.443 | 0.677 |
| D | 0.554 | 0.846 |
| E | 0.692 | 1.057 |
| F | 0.856 | 1.322 |
| G | 1.082 | 1.652 |
| H | 1.352 | 2.066 |
| I | 1.692 | 2.581 |
| J | 2.114 | 3.227 |
| K | 2.641 | 4.034 |
| L | 3.300 | 5.042 |
| M | 4.127 | 6.303 |
| N | 5.157 | 7.878 |

Yellow

| HDSP-740x | | |
|------------------------|-------------|-------------|
| IV Bin Category | Min. | Max. |
| B | 0.229 | 0.387 |
| C | 0.317 | 0.582 |
| D | 0.476 | 0.872 |
| E | 0.714 | 1.311 |
| F | 1.073 | 1.967 |
| G | 1.609 | 2.950 |
| H | 2.413 | 4.425 |

Green

| HDSP-780x | | |
|------------------------|-------------|-------------|
| IV Bin Category | Min. | Max. |
| H | 0.86 | 1.58 |
| I | 1.29 | 2.37 |
| J | 1.94 | 3.55 |
| K | 2.90 | 5.33 |
| L | 4.37 | 8.01 |

Color Categories

| Color | Bin | Dominant Wavelength (nm) | |
|--------|-----|--------------------------|--------|
| | | Min. | Max. |
| Yellow | 1 | 581.50 | 585.00 |
| | 3 | 584.00 | 587.50 |
| | 2 | 586.50 | 590.00 |
| | 4 | 589.00 | 592.50 |
| Green | 2 | 573.00 | 577.00 |
| | 3 | 570.00 | 574.00 |
| | 4 | 567.00 | 571.00 |
| | 5 | 564.00 | 568.00 |

Note:

All categories are established for classification of products. Products may not be available in all categories. Please contact your Agilent representatives for further clarification/information.

Contrast Enhancement

For information on contrast enhancement, please see Application Note 1015.

Soldering/Cleaning

Cleaning agents from the ketone family (acetone, methyl ethyl ketone, etc.) and from the chlorinated hydrocarbon family (methylene chloride, trichloroethylene, carbon tetrachloride, etc.) are not recommended for cleaning LED parts. All of these various solvents attack or dissolve the encapsulating epoxies used to form the package of plastic LED parts.

For further information on soldering LEDs, please refer to Application Note 1027.

www.agilent.com/semiconductors

For product information and a complete list of distributors, please go to our web site.

For technical assistance call:

Americas/Canada: +1 (800) 235-0312 or
(408) 654-8675

Europe: +49 (0) 6441 92460

China: 10800 650 0017

Hong Kong: (+65) 271 2451

India, Australia, New Zealand: (+65) 271 2394

Japan: (+81 3) 3335-8152(Domestic/International), or 0120-61-1280(Domestic Only)

Korea: (+65) 271 2194

Malaysia, Singapore: (+65) 271 2054

Taiwan: (+65) 271 2654

Data subject to change.

Copyright © 2002 Agilent Technologies, Inc.

Obsoletes 5988-0382EN

February 11, 2002

5988-4434EN