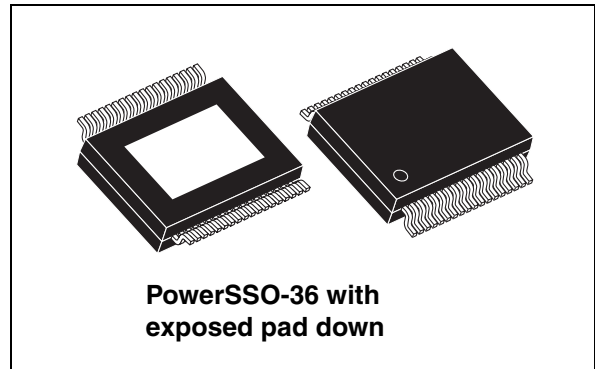


## 25 W mono BTL class-D audio amplifier

### Features

- 20 W continuous output power:  
 $R_L = 8 \Omega$ , THD = 10% at  $V_{CC} = 18 \text{ V}$
- 25 W continuous output power:  
 $R_L = 6 \Omega$ , THD = 10% at  $V_{CC} = 16 \text{ V}$
- Wide range single supply operation (5 V - 18 V)
- High efficiency ( $\eta = 90\%$ )
- Four selectable, fixed gain settings of nominally 20 dB, 26 dB, 30 dB and 32 dB
- Differential inputs minimize common-mode noise
- Filterless operation
- No 'pop' at turn-on/off
- Standby and mute features
- Short-circuit protection
- Thermal overload protection
- Externally synchronizable



### Description

The TDA7491MV is a mono BTL class-D audio amplifier with single power supply designed for LCD TVs and monitors.

Thanks to the high efficiency and an exposed-pad-down (EPD) package no heatsink is required.

Furthermore, the filterless operation allows a reduction in the external component count.

The TDA7491MV is pin to pin compatible with the TDA7491P, TDA7491LP and TDA7491HV for the left channel as given in [Section 6.1 on page 19](#).

**Table 1. Device summary**

Order code	Operating temp. range	Package	Packaging
TDA7491MV	0 to 70 °C	PowerSSO-36 EPD	Tube
TDA7491MV13TR	0 to 70 °C	PowerSSO-36 EPD	Tape and reel

# Contents

- 1      Device block diagram ..... 5**
- 2      Pin description ..... 6**
  - 2.1 Pin out ..... 6
  - 2.2 Pin list ..... 7
- 3      Electrical specifications ..... 8**
  - 3.1 Absolute maximum ratings ..... 8
  - 3.2 Thermal data ..... 8
  - 3.3 Electrical specifications ..... 8
- 4      Characterization curves ..... 11**
  - 4.1 Test board ..... 16
- 5      Package mechanical data ..... 17**
- 6      Applications circuit ..... 19**
  - 6.1 Compatibility with TDA7491 stereo BTL family ..... 19
- 7      Application information ..... 20**
  - 7.1 Mode selection ..... 20
  - 7.2 Gain setting ..... 21
  - 7.3 Input resistance and capacitance ..... 21
  - 7.4 Internal and external clocks ..... 22
    - 7.4.1 Master mode (internal clock) ..... 22
    - 7.4.2 Slave mode (external clock) ..... 22
  - 7.5 Filterless modulation ..... 23
  - 7.6 Output low-pass filter ..... 24
  - 7.7 Protection function ..... 25
  - 7.8 Diagnostic output ..... 25
  - 7.9 Heatsink requirements ..... 26
- 8      Revision history ..... 27**

## List of tables

Table 1.	Device summary . . . . .	1
Table 2.	Pin description list . . . . .	7
Table 3.	Absolute maximum ratings . . . . .	8
Table 4.	Thermal data . . . . .	8
Table 5.	Electrical specifications . . . . .	8
Table 6.	PowerSSO-36 slug down dimensions . . . . .	18
Table 7.	Mode settings . . . . .	20
Table 8.	Gain settings . . . . .	21
Table 9.	How to set up SYNCLK . . . . .	22
Table 10.	Document revision history . . . . .	27

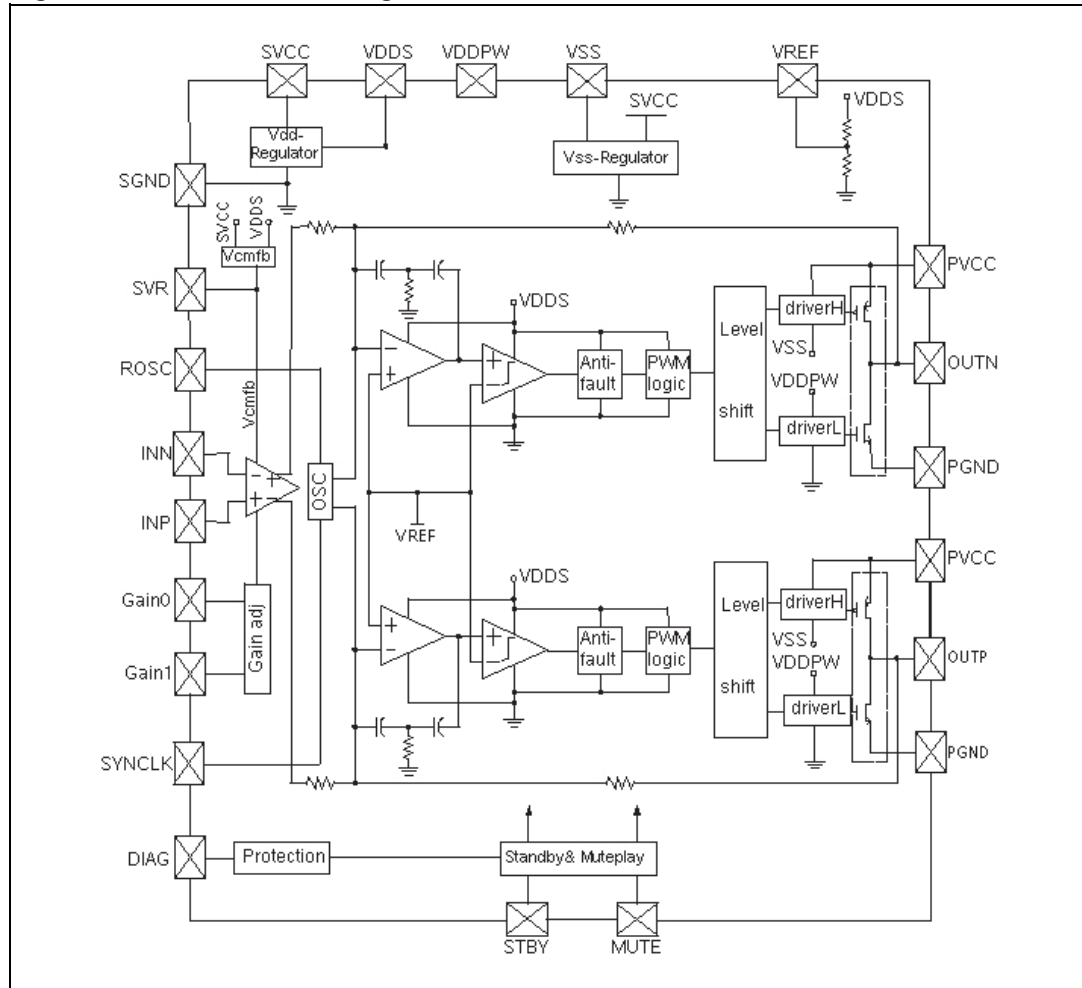
## List of figures

Figure 1.	Internal block diagram	5
Figure 2.	Pin connection (top view, PCB view)	6
Figure 3.	Output power vs supply voltage	11
Figure 4.	THD vs output power (1 kHz)	11
Figure 5.	THD vs output power (100 Hz)	12
Figure 6.	THD vs Frequency	12
Figure 7.	Frequency Response	12
Figure 8.	FFT (0 dB)	13
Figure 9.	FFT (-60 dB)	13
Figure 10.	Closed-loop gain vs frequency	13
Figure 11.	Power dissipation and efficiency vs output power	14
Figure 12.	Attenuation vs mute voltage	14
Figure 13.	Current consumption vs voltage on pin STBY	14
Figure 14.	Attenuation vs voltage on pin STBY	15
Figure 15.	Power supply rejection ratio vs frequency	15
Figure 16.	Test board (TDA7491HV) layout	16
Figure 17.	PowerSSO-36 slug down outline drawing	17
Figure 18.	Applications circuit for class-D amplifier	19
Figure 19.	Standby and mute circuits	20
Figure 20.	Turn-on/off sequence for minimizing speaker “pop”	20
Figure 21.	Device input circuit and frequency response	21
Figure 22.	Master and slave connection	22
Figure 23.	Unipolar PWM output	23
Figure 24.	Typical LC filter for a 8-Ω speaker	24
Figure 25.	Typical LC filter for a 4-Ω speaker	24
Figure 26.	Behavior of pin DIAG for various protection conditions	25
Figure 27.	Power derating curves for PCB used as heatsink	26

# 1 Device block diagram

Figure 1 shows the block diagram of the TDA7491MV.

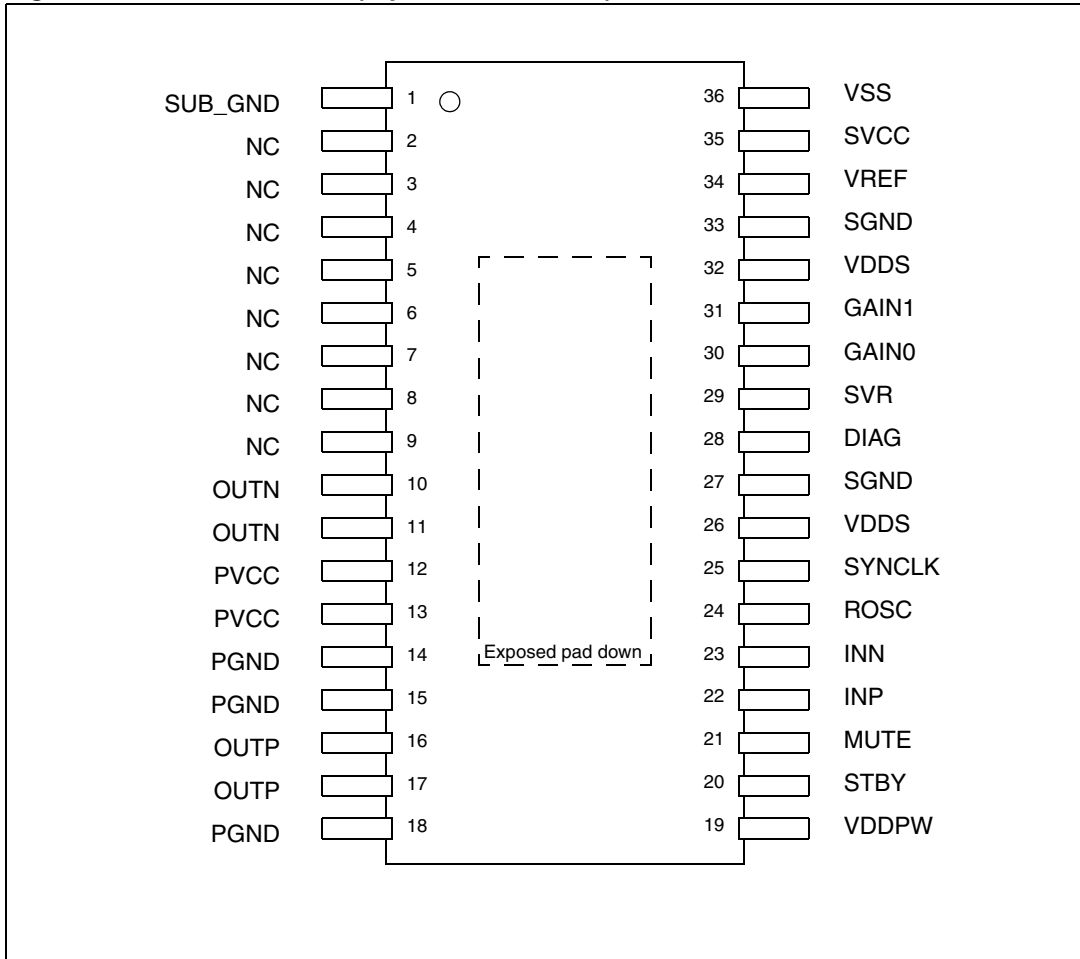
Figure 1. Internal block diagram



## 2 Pin description

### 2.1 Pin out

Figure 2. Pin connection (top view, PCB view)



## 2.2 Pin list

**Table 2. Pin description list**

Number	Name	Type	Description
1	SUB_GND	POWER	Connect to the frame
2,3	NC	-	No internal connection
4,5	NC	-	No internal connection
6,7	NC	-	No internal connection
8,9	NC	-	No internal connection
10,11	OUTN	OUT	Negative PWM output
12,13	PVCC	POWER	Power supply
14,15	PGND	POWER	Power stage ground
16,17	OUTP	OUT	Positive PWM output
18	PGND	POWER	Power stage ground
19	VDDPW	OUT	3.3 V (nominal) regulator output referred to ground for power stage
20	STBY	INPUT	Standby mode control
21	MUTE	INPUT	Mute mode control
22	INP	INPUT	Positive differential input
23	INN	INPUT	Negative differential input
24	ROSC	OUT	Master oscillator frequency-setting pin
25	SYNCLCK	IN/OUT	Clock in/out for external oscillator
26	VDDS	OUT	3.3 V (nominal) regulator output referred to ground for signal blocks
27	SGND	POWER	Signal ground
28	DIAG	OUT	Open-drain diagnostic output
29	SVR	OUT	Supply voltage rejection
30	GAIN0	INPUT	Gain setting input 1
31	GAIN1	INPUT	Gain setting input 2
32	VDDS	POWER	To be connected to VDDS (pin 26)
33	SGND	POWER	Signal ground
34	VREF	OUT	Half VDDS (nominal) referred to ground
35	SVCC	POWER	Signal power supply
36	VSS	OUT	3.3 V (nominal) regulator output referred to power supply

### 3 Electrical specifications

#### 3.1 Absolute maximum ratings

**Table 3. Absolute maximum ratings**

Symbol	Parameter	Value	Unit
$V_{CC}$	DC supply voltage for pins PVCCA, PVCCB, SVCC	24	V
$T_{op}$	Operating temperature	0 to 70	°C
$T_j$	Junction temperature	-40 to 150	°C
$T_{stg}$	Storage temperature	-40 to 150	°C

#### 3.2 Thermal data

**Table 4. Thermal data**

Symbol	Parameter	Min	Typ	Max	Unit
$R_{th\ j-case}$	Thermal resistance, junction to case	-	2	3	°C/W
$R_{th\ j-amb}$	Thermal resistance, junction to ambient (mounted on recommended PCB) <sup>(1)</sup>	-	24	-	

1. FR4 with vias to copper area of 9 cm<sup>2</sup> (see also [Section 7.9: Heatsink requirements on page 26](#)).

#### 3.3 Electrical specifications

Unless otherwise stated, the results in [Table 5](#) below are given for the conditions:

$V_{CC} = 18\text{ V}$ ,  $R_L$  (load) = 8  $\Omega$ ,  $R_{OSC} = R3 = 39\text{ k}\Omega$ ,  $C8 = 100\text{ nF}$ ,  $f = 1\text{ kHz}$ ,  $G_V = 20\text{ dB}$ , and  $T_{amb} = 25\text{ °C}$ .

**Table 5. Electrical specifications**

Symbol	Parameter	Condition	Min	Typ	Max	Unit
$V_{CC}$	Supply voltage for pins PVCC, SVCC	-	5	-	18	V
$I_q$	Total quiescent	Without LC filter	-	26	35	mA
$I_{qSTBY}$	Quiescent current in standby	-	-	2.5	5.0	$\mu\text{A}$
$V_{OS}$	Output offset voltage	Play mode	-150	-	150	mV
$V_{OS}$	Output offset voltage	Mute mode	-60	-	60	mV
$I_{OCP}$	Overcurrent protection threshold	$R_L = 0\ \Omega$	3	5	-	A
$T_j$	Junction temperature at thermal shut-down	-	-	150	-	°C
$R_i$	Input resistance	Differential input	55	60	-	k $\Omega$
$V_{OVP}$	Overvoltage protection threshold	-	19	21	-	V



Table 5. Electrical specifications (continued)

Symbol	Parameter	Condition	Min	Typ	Max	Unit
$V_{\text{UVP}}$	Undervoltage protection threshold	-	-	-	4	V
$R_{\text{dsON}}$	Power transistor on resistance	High side	-	0.2	-	$\Omega$
		Low side	-	0.2	-	
$P_{\text{o}}$	Output power	THD = 10%	-	20	-	W
		THD = 1%	-	16	-	
$P_{\text{o}}$	Output power	$R_{\text{L}} = 8 \Omega$ , THD = 10% $V_{\text{CC}} = 12 \text{ V}$	-	9.5	-	W
		$R_{\text{L}} = 8 \Omega$ , THD = 1% $V_{\text{CC}} = 12 \text{ V}$	-	7.2	-	
$P_{\text{o}}$	Output power	$R_{\text{L}} = 6 \Omega$ , THD = 10% $V_{\text{CC}} = 16 \text{ V}$	-	20	-	W
		$R_{\text{L}} = 6 \Omega$ , THD = 1% $V_{\text{CC}} = 16 \text{ V}$	-	16	-	
$P_{\text{D}}$	Dissipated power	$P_{\text{o}} = 20 \text{ W}$ THD = 10%	-	2.0	-	W
$\eta$	Efficiency	$P_{\text{o}} = 20 \text{ W}$	80	90	-	%
THD	Total harmonic distortion	$P_{\text{o}} = 1 \text{ W}$	-	0.1	0.2	%
$G_{\text{V}}$	Closed loop gain	GAIN0 = L, GAIN1 = L	18	20	22	dB
		GAIN0 = L, GAIN1 = H	24	26	28	
		GAIN0 = H, GAIN1 = L	28	30	32	
		GAIN0 = H, GAIN1 = H	30	32	34	
$\Delta G_{\text{V}}$	Gain matching	-	-1	-	1	dB
eN	Total input noise	A Curve, $G_{\text{V}} = 20 \text{ dB}$	-	20	-	$\mu\text{V}$
		$f = 22 \text{ Hz to } 22 \text{ kHz}$	-	25	35	
SVRR	Supply voltage rejection ratio	$f_{\text{r}} = 100 \text{ Hz}$ , $V_{\text{r}} = 0.5 \text{ V}$ , $C_{\text{SVR}} = 10 \mu\text{F}$	40	50	-	dB
$T_{\text{r}}$ , $T_{\text{f}}$	Rise and fall times	-	-	50	-	ns
$f_{\text{SW}}$	Switching frequency	Internal oscillator	290	310	330	kHz
$f_{\text{SWR}}$	Output switching frequency	With internal oscillator <sup>(1)</sup>	250	-	-	kHz
		With external oscillator <sup>(2)</sup>	250	-	-	
$V_{\text{inH}}$	Digital input high (H)	-	2.3	-	-	V
$V_{\text{inL}}$	Digital input low (L)		-	-	0.8	
$A_{\text{MUTE}}$	Mute attenuation	$V_{\text{MUTE}} = 1 \text{ V}$	60	80	-	dB

**Table 5. Electrical specifications (continued)**

Symbol	Parameter	Condition	Min	Typ	Max	Unit
Function mode	Standby, mute and play modes	$V_{STBY} < 0.5 \text{ V}$ , $V_{MUTE} = X$	Standby			-
		$V_{STBY} > 2.5 \text{ V}$ , $V_{MUTE} < 0.8 \text{ V}$	Mute			-
		$V_{STBY} > 2.5 \text{ V}$ , $V_{MUTE} > 2.5 \text{ V}$	Play			-

1.  $f_{SW} = 10^6 / ((16 * R_{OSC} + 182) * 4)$  kHz,  $f_{SYNCLK} = 2 * f_{SW}$  with  $R3 = 39 \text{ k}\Omega$  (see [Figure 18.](#))

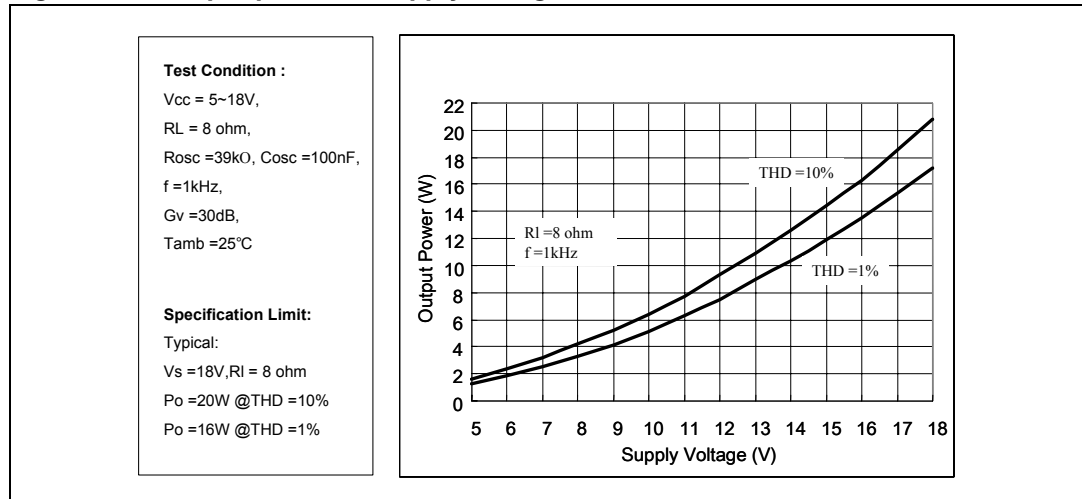
2.  $f_{SW} = f_{SYNCLK} / 2$  with the frequency of the external oscillator.

# 4 Characterization curves

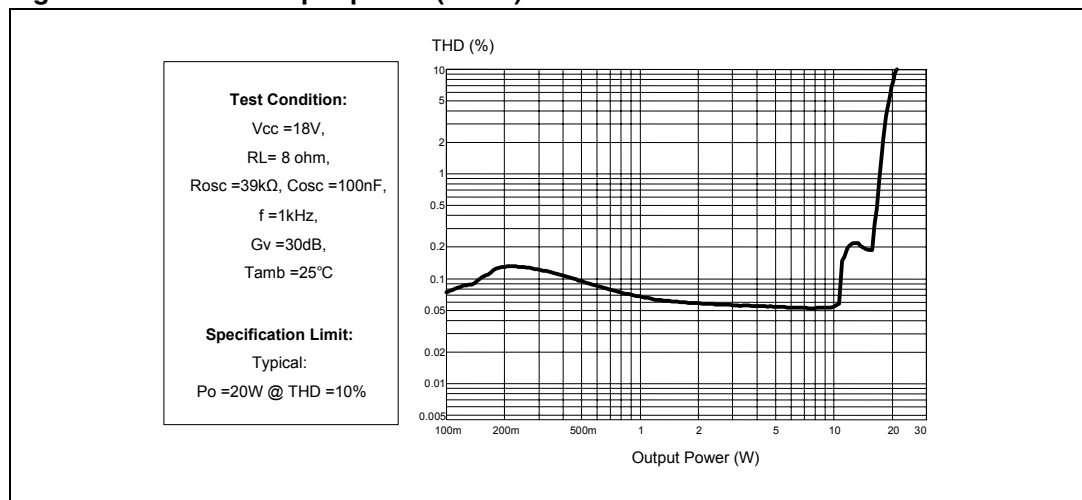
The following characterization curves were made using the TDA7491MV demo board. The LC filter for the 8-Ω load uses components of 33 μH and 220 nF.

All other test conditions are given along side the corresponding curves.

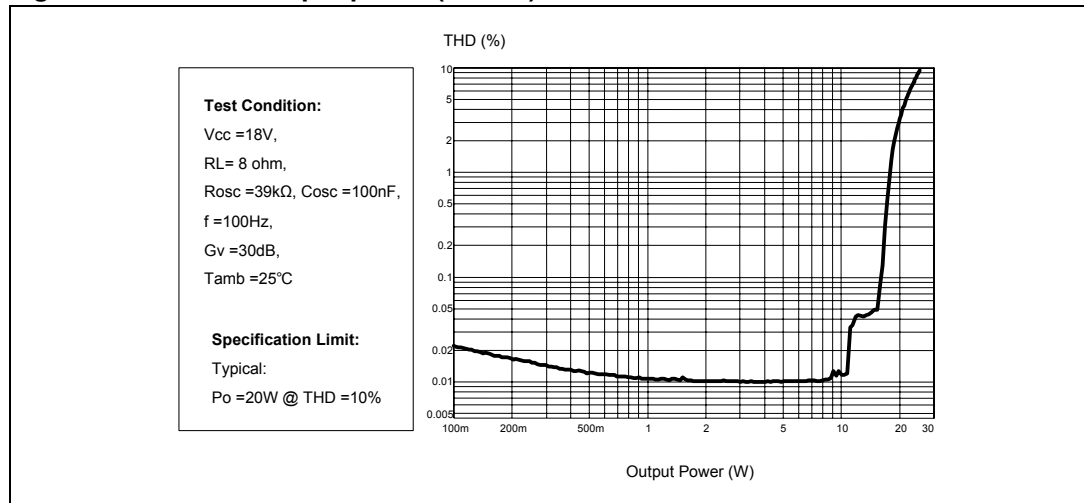
**Figure 3. Output power vs supply voltage**



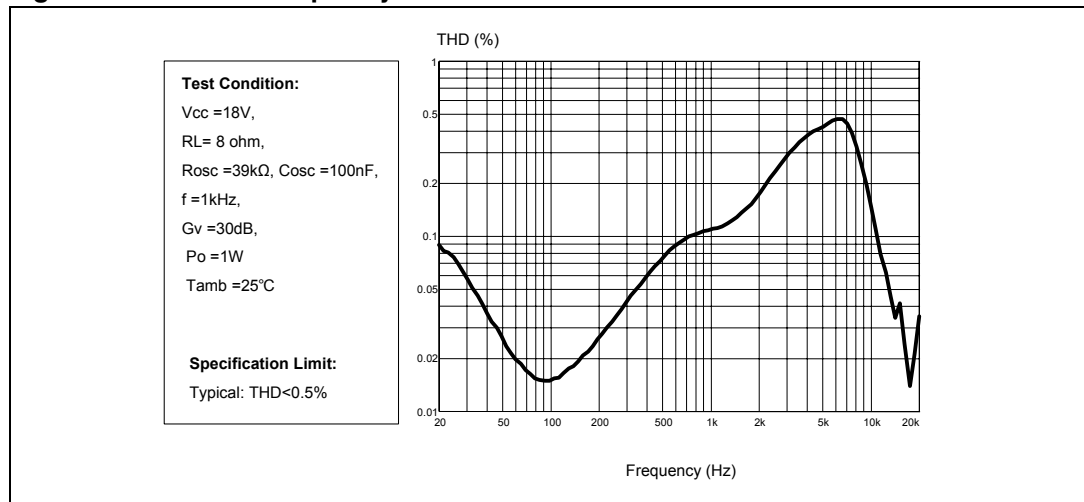
**Figure 4. THD vs output power (1 kHz)**



**Figure 5. THD vs output power (100 Hz)**



**Figure 6. THD vs Frequency**



**Figure 7. Frequency Response**

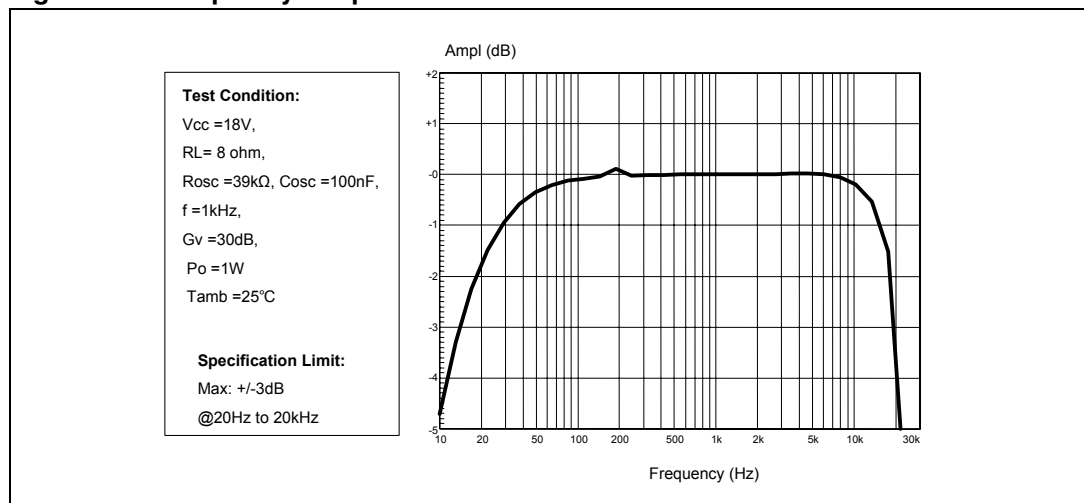


Figure 8. FFT (0 dB)

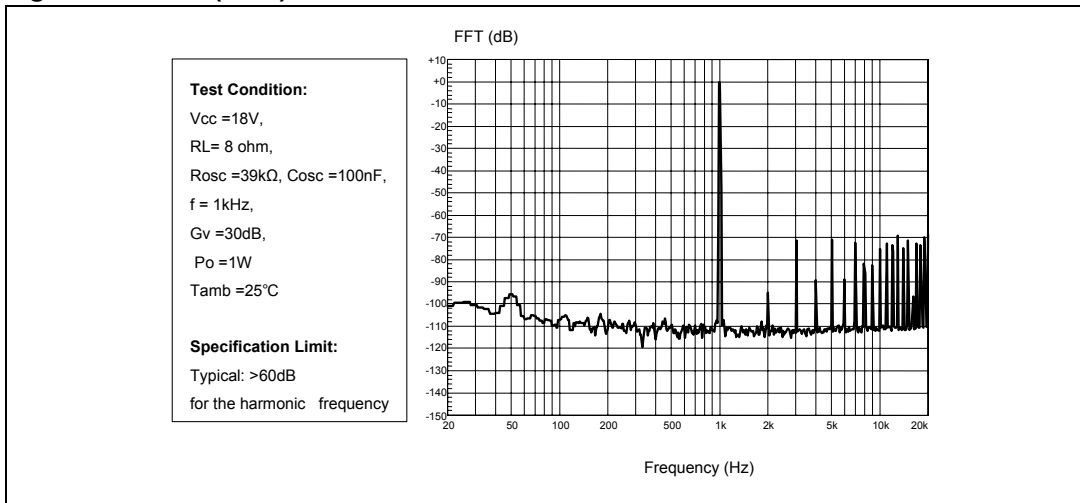


Figure 9. FFT (-60 dB)

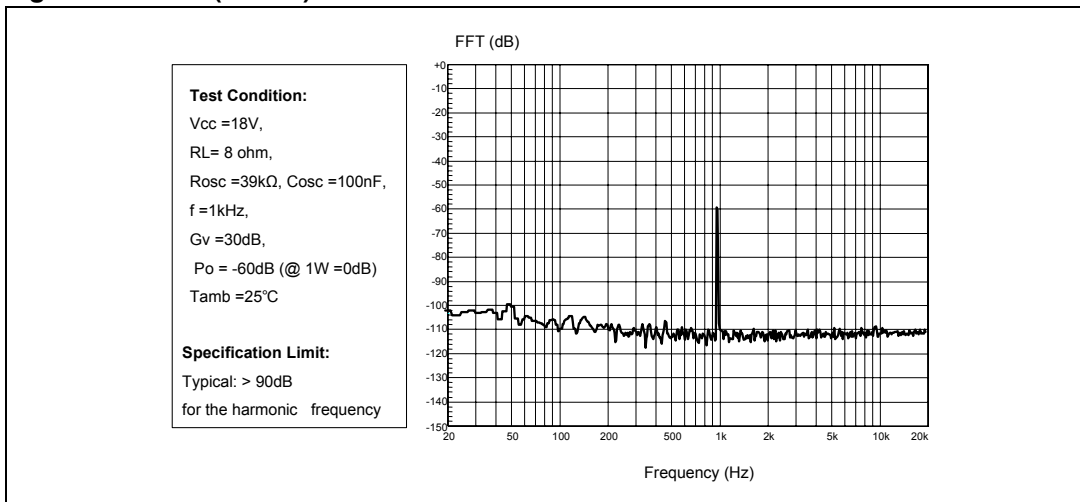


Figure 10. Closed-loop gain vs frequency

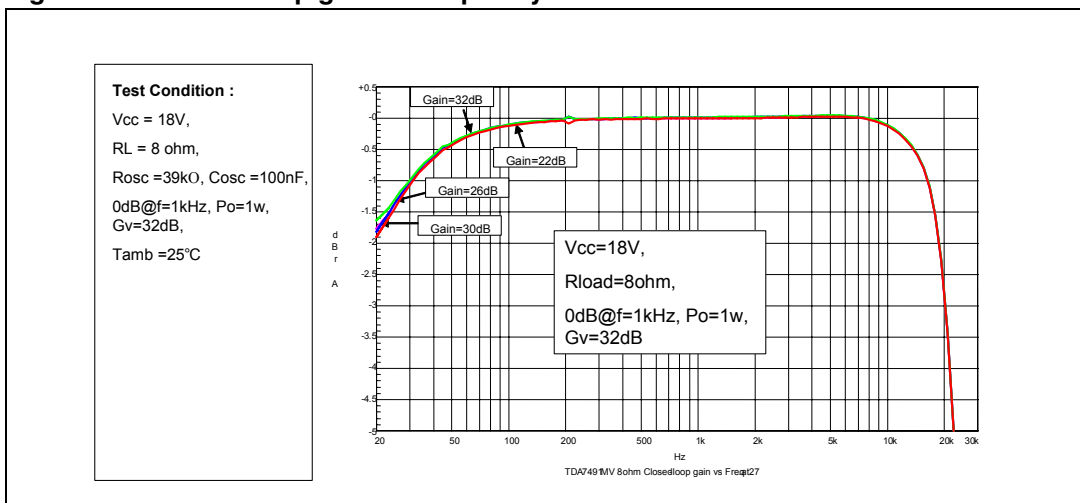


Figure 11. Power dissipation and efficiency vs output power

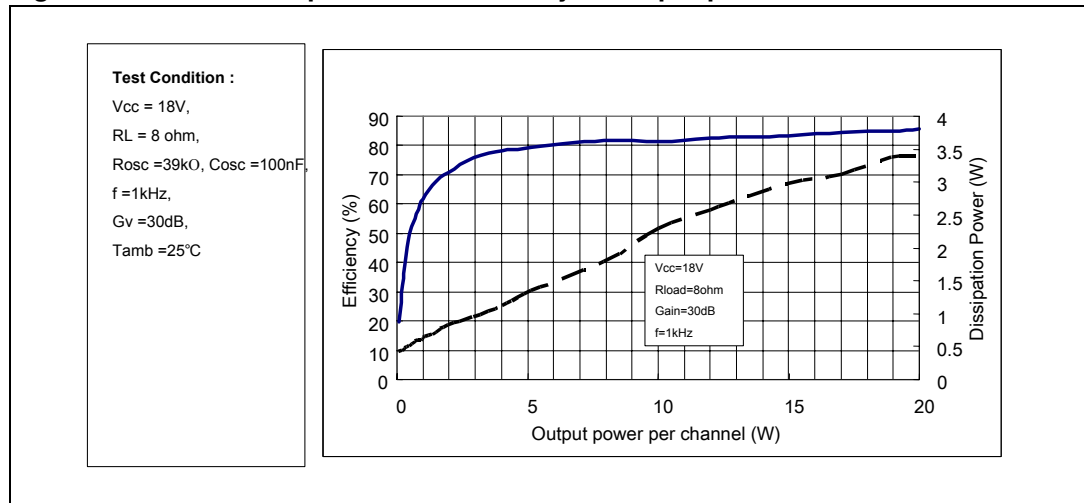


Figure 12. Attenuation vs mute voltage

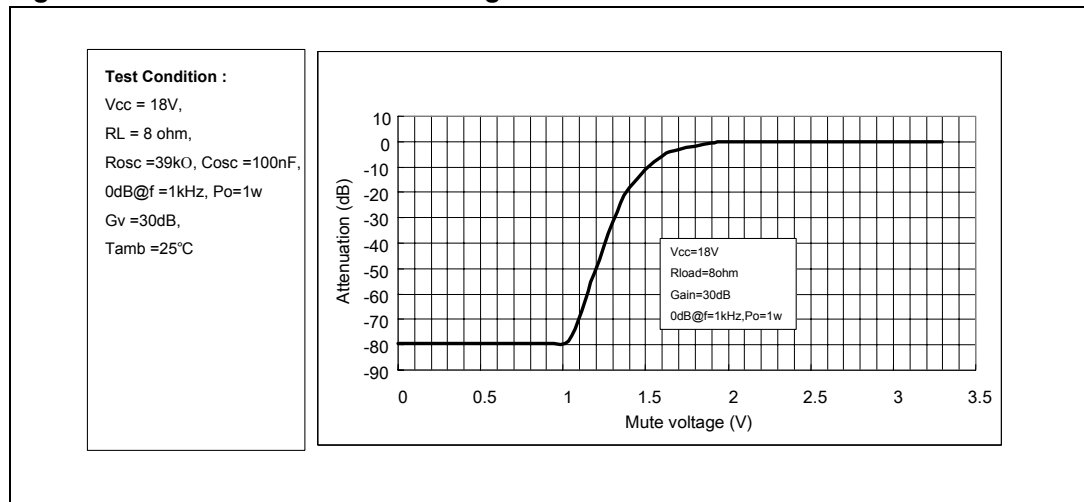


Figure 13. Current consumption vs voltage on pin STBY

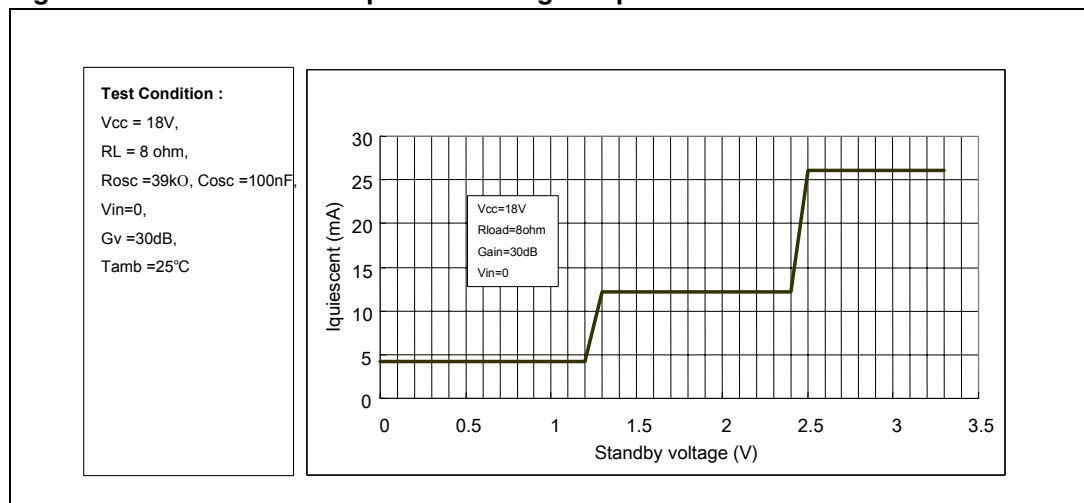


Figure 14. Attenuation vs voltage on pin STBY

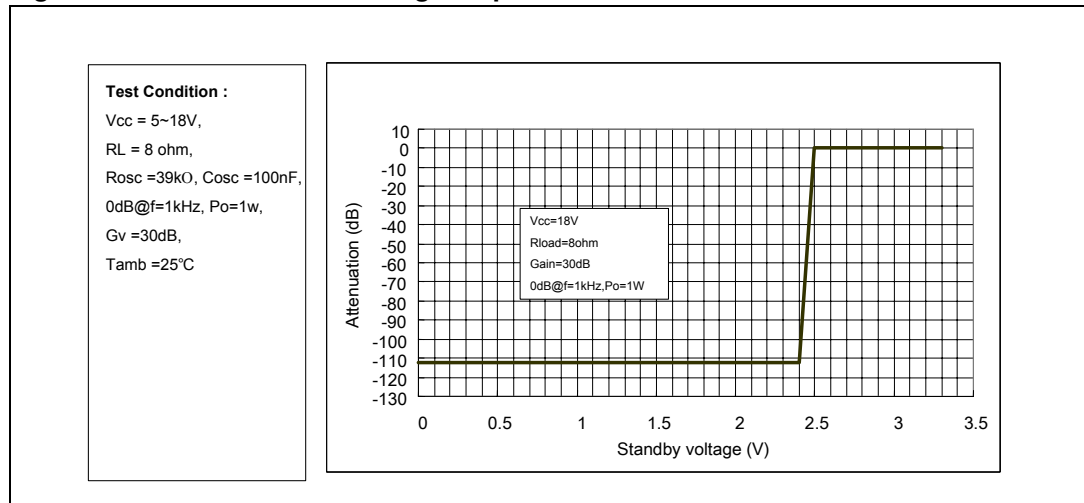
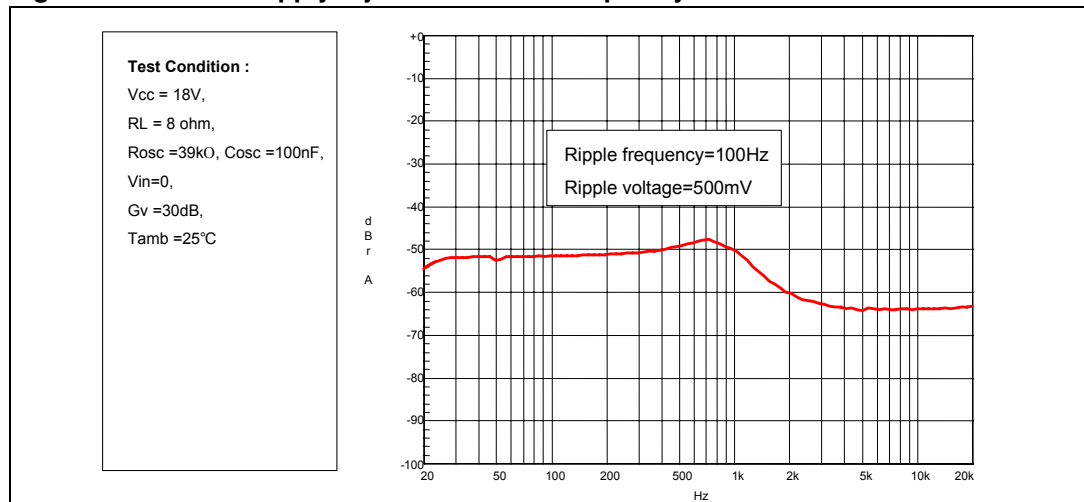
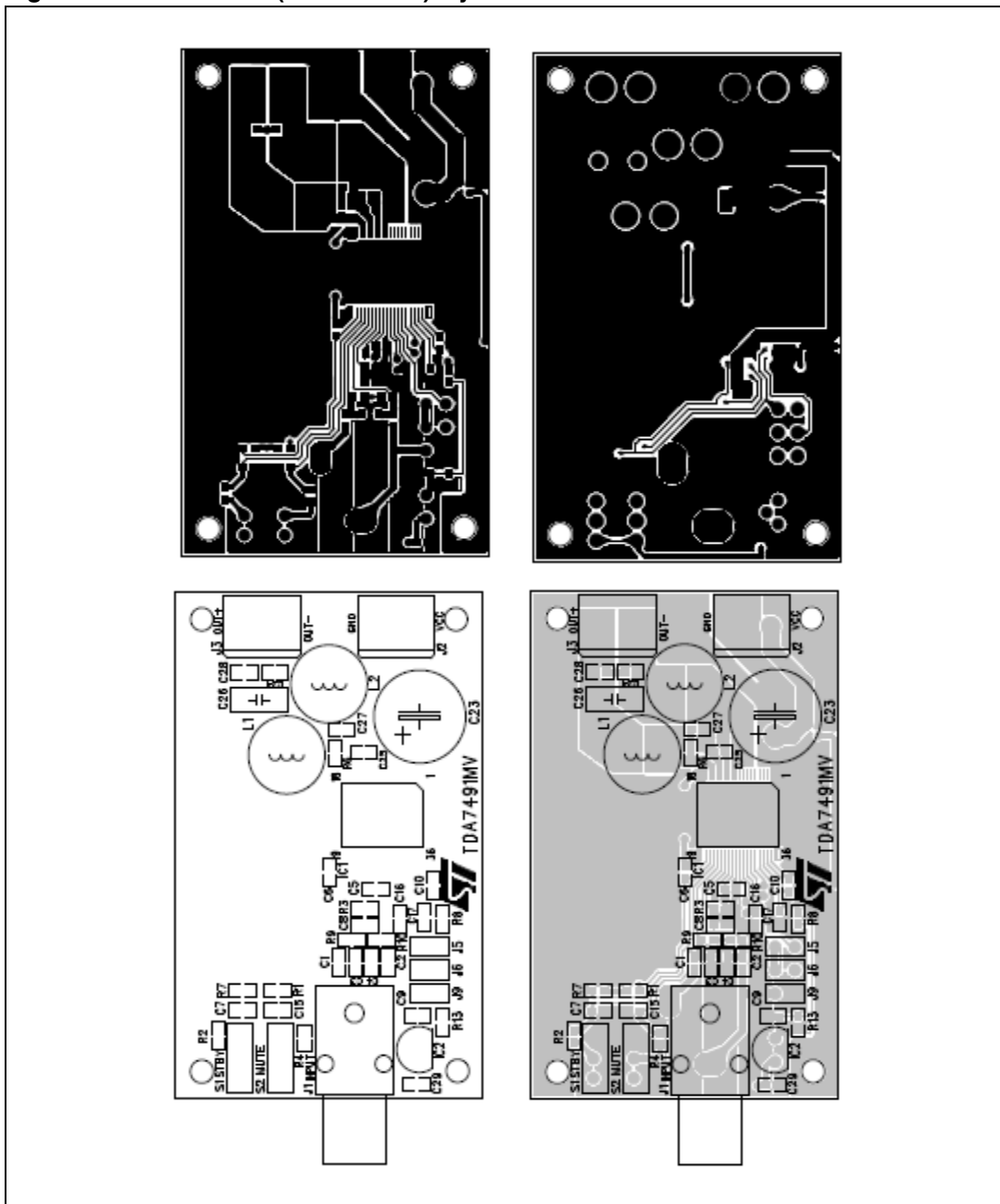


Figure 15. Power supply rejection ratio vs frequency



### 4.1 Test board

Figure 16. Test board (TDA7491HV) layout





## 5 Package mechanical data

The TDA7491MV comes in a 36-pin PowerSSO package with exposed pad down.

[Figure 17](#) below shows the package outline and [Table 6](#) gives the dimensions.

**Figure 17. PowerSSO-36 EPD outline drawing**

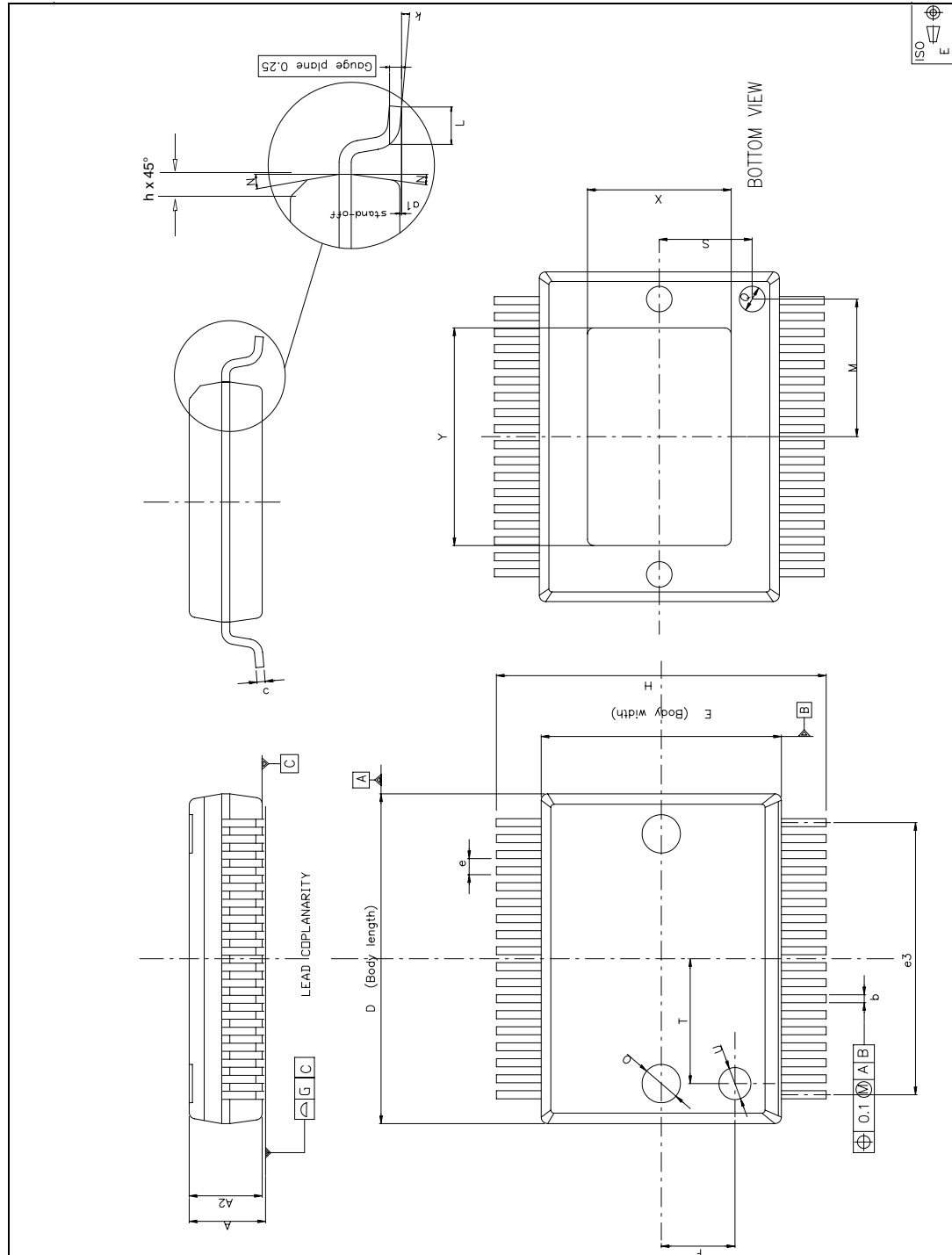


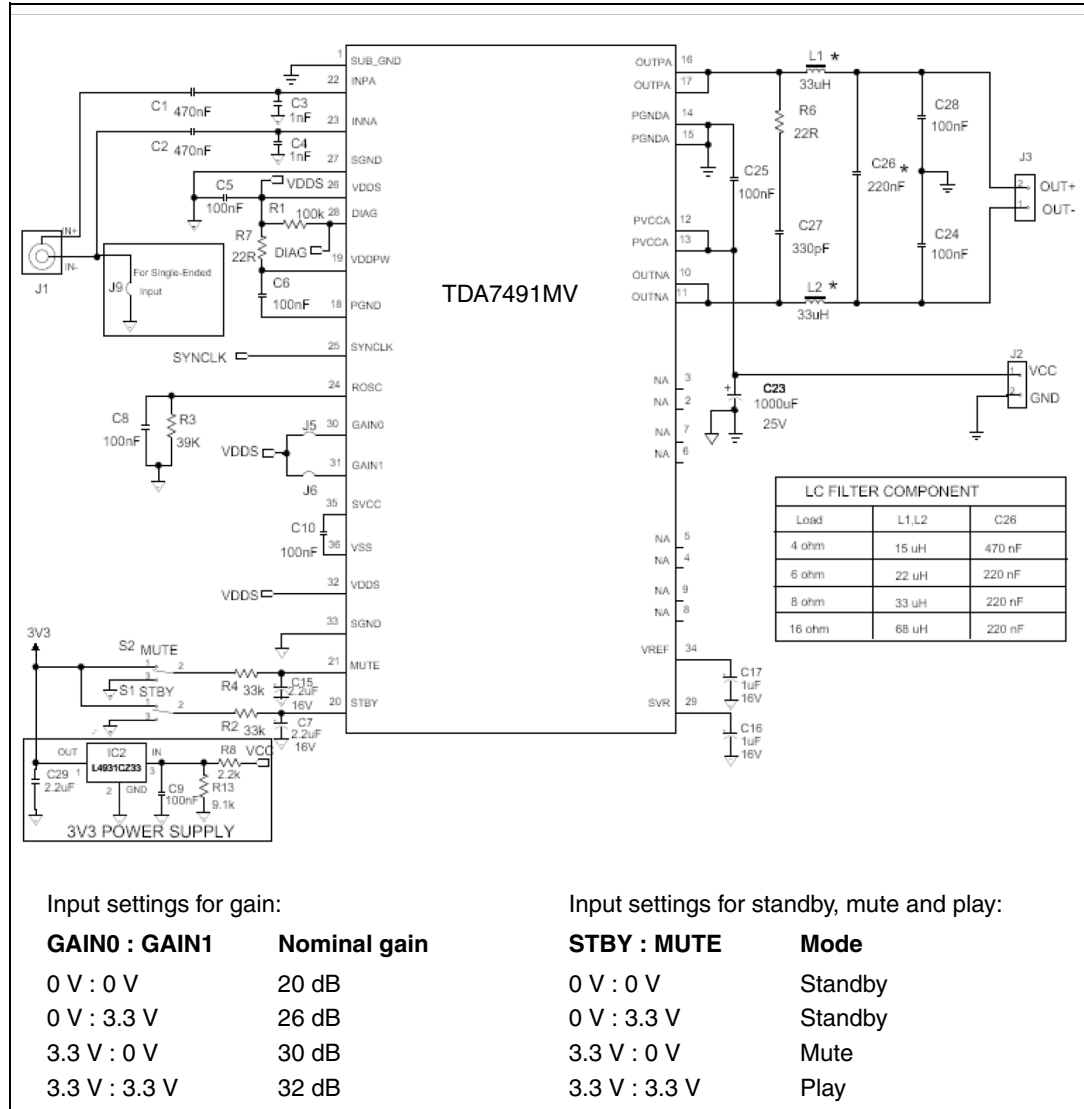
Table 6. PowerSSO-36 EPD dimensions

Symbol	Dimensions in mm			Dimensions in inches		
	Min	Typ	Max	Min	Typ	Max
A	2.15	-	2.47	0.085	-	0.097
A2	2.15	-	2.40	0.085	-	0.094
a1	0.00	-	0.10	0.000	-	0.004
b	0.18	-	0.36	0.007	-	0.014
c	0.23	-	0.32	0.009	-	0.013
D	10.10	-	10.50	0.398	-	0.413
E	7.40	-	7.60	0.291	-	0.299
e	-	0.5	-	-	0.020	-
e3	-	8.5	-	-	0.335	-
F	-	2.3	-	-	0.091	-
G	-	-	0.10	-	-	0.004
H	10.10	-	10.50	0.398	-	0.413
h	-	-	0.40	-	-	0.016
k	0	-	8 degrees	0	-	8 degrees
L	0.60	-	1.00	0.024	-	0.039
M	-	4.30	-	-	0.169	-
N	-	-	10 degrees	-	-	10 degrees
O	-	1.20	-	-	0.047	-
Q	-	0.80	-	-	0.031	-
S	-	2.90	-	-	0.114	-
T	-	3.65	-	-	0.144	-
U	-	1.00	-	-	0.039	-
X	4.10	-	4.70	0.161	-	0.185
Y	6.50	-	7.10	0.256	-	0.280

In order to meet environmental requirements, ST offers these devices in different grades of ECOPACK<sup>®</sup> packages, depending on their level of environmental compliance. ECOPACK<sup>®</sup> specifications, grade definitions and product status are available at: [www.st.com](http://www.st.com). ECOPACK<sup>®</sup> is an ST trademark.

# 6 Applications circuit

Figure 18. Applications circuit for class-D amplifier



## 6.1 Compatibility with TDA7491 stereo BTL family

TDA7491MV mono BTL analog class-D amplifier is derived from the TDA7491 stereo analog class-D BTL family. TDA7491MV has only the left channel of the stereo BTL family.

In order to guarantee the pin to pin compatibility when moving the application from stereo to mono, it is necessary to connect the right channel inputs (pins 32 and 33 of TDA7491 BTL family) to  $V_{CC}$  and GND, that is, pin 32 to VDDSD and pin 33 to SGND.

# 7 Application information

## 7.1 Mode selection

The three operating modes of the TDA7491MV are set by the two inputs STBY (pin 20) and MUTE (pin 21).

- Standby mode: all circuits are turned off, very low current consumption.
- Mute mode: inputs are connected to ground and the positive and negative PWM outputs are at 50% duty cycle.
- Play mode: the amplifiers are active.

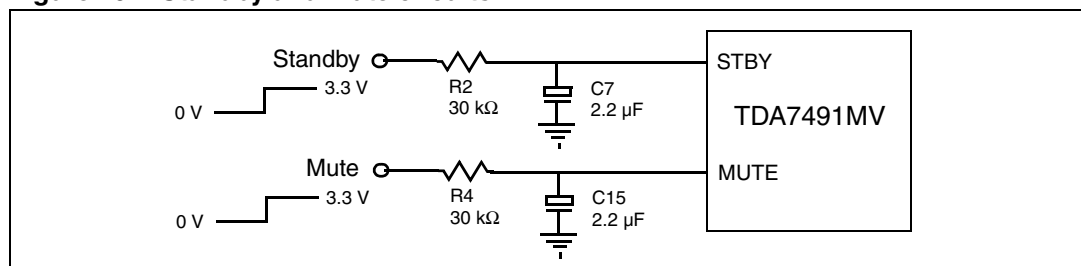
The protection functions of the TDA7491MV are realized by pulling down the voltages of the STBY and MUTE inputs shown in *Figure 19*. The input current of the corresponding pins must be limited to 200  $\mu$ A.

**Table 7. Mode settings**

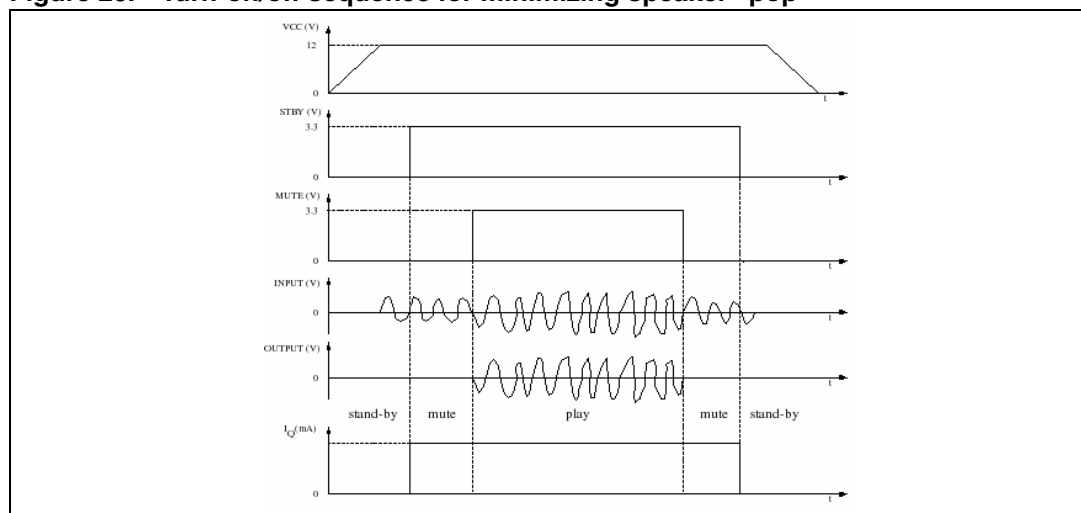
Mode Selection	STBY	MUTE
Standby	L (1)	X (don't care)
Mute	H (1)	L
Play	H	H

1. Drive levels defined in *Table 5: Electrical specifications on page 8*

**Figure 19. Standby and mute circuits**



**Figure 20. Turn-on/off sequence for minimizing speaker “pop”**



### 7.2 Gain setting

The gain of the TDA7491MV is set by the two inputs, GAIN0 (pin 30) and GAIN1 (pin 31). Internally, the gain is set by changing the feedback resistors of the amplifier.

**Table 8. Gain settings**

GAIN0	GAIN1	Nominal gain, $G_v$ (dB)
0	0	20
0	1	26
1	0	30
1	1	32

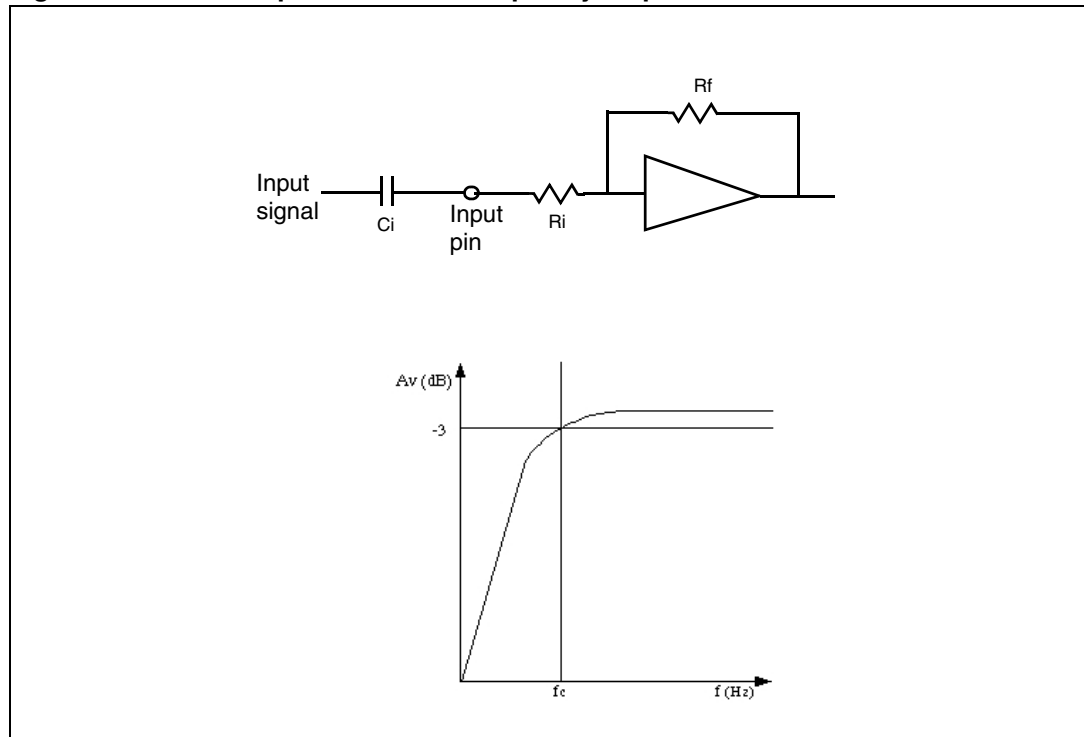
### 7.3 Input resistance and capacitance

The input impedance is set by an internal resistor  $R_i = 60\text{ k}\Omega$  (typical). An input capacitor ( $C_i$ ) is required to couple the AC input signal.

The equivalent circuit and frequency response of the input components are shown in [Figure 21](#). For  $C_i = 220\text{ nF}$  the high-pass filter cut-off frequency is below 20 Hz:

$$f_c = 1 / (2 * \pi * R_i * C_i)$$

**Figure 21. Device input circuit and frequency response**



## 7.4 Internal and external clocks

The clock of the class-D amplifier can be generated internally or can be driven by an external source.

If two or more class-D amplifiers are used in the same system, it is recommended that all devices operate at the same clock frequency. This can be implemented by using one TDA7491MV as master clock, while the other devices are in slave mode (that is, externally clocked). The clock interconnect is via pin SYNCLK of each device. As explained below, SYNCLK is an output in master mode and an input in slave mode.

### 7.4.1 Master mode (internal clock)

Using the internal oscillator, the output switching frequency,  $f_{SW}$ , is controlled by the resistor,  $R_{OSC}$ , connected to pin ROSC:

$$f_{SW} = 10^6 / ((16 * R_{OSC} + 182) * 4) \text{ kHz}$$

where  $R_{OSC}$  is in  $k\Omega$ .

In master mode, pin SYNCLK is used as a clock output pin, whose frequency is:

$$f_{SYNCLK} = 2 * f_{SW}$$

For master mode to operate correctly then resistor  $R_{OSC}$  must be less than 60  $k\Omega$  as given below in [Table 9](#).

### 7.4.2 Slave mode (external clock)

In order to accept an external clock input the pin ROSC must be left open, that is, floating. This forces pin SYNCLK to be internally configured as an input as given in [Table 9](#).

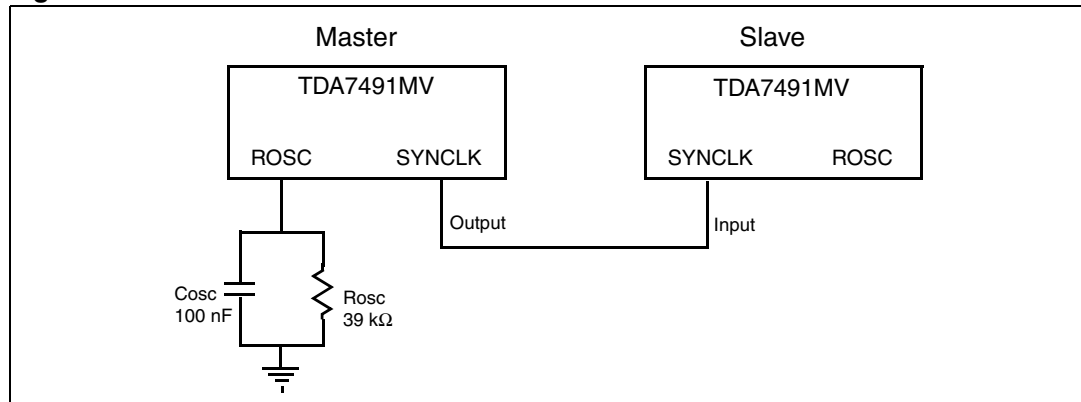
The output switching frequency of the slave devices is:

$$f_{SW} = f_{SYNCLK} / 2$$

**Table 9. How to set up SYNCLK**

Mode	ROSC	SYNCLK
Master	$R_{OSC} < 60 \text{ k}\Omega$	Output
Slave	Floating (not connected)	Input

**Figure 22. Master and slave connection**



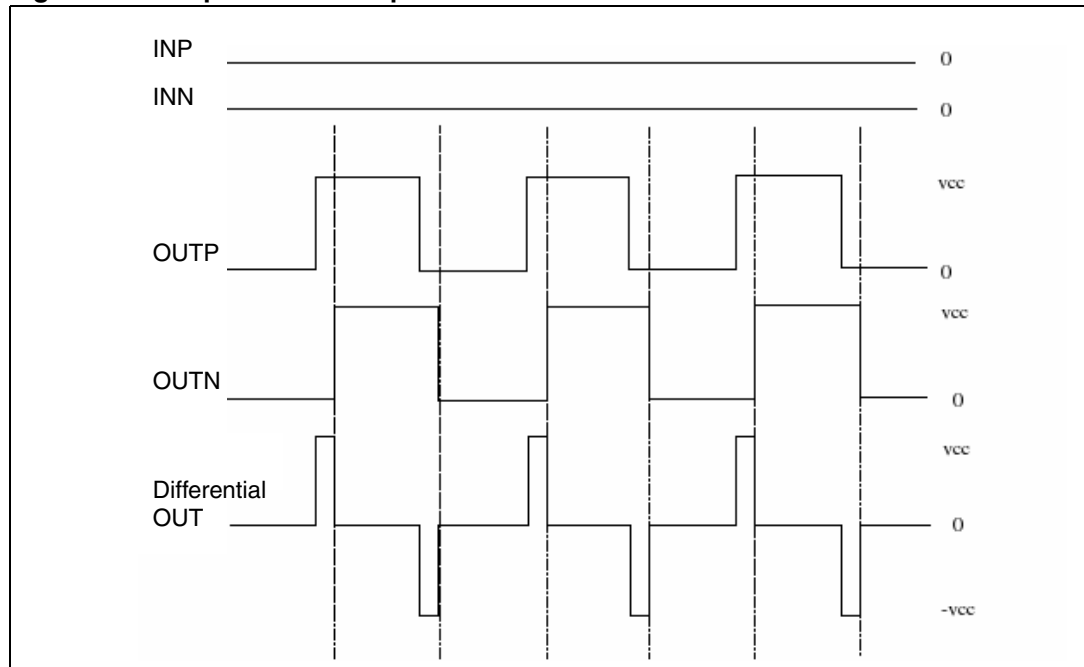
## 7.5 Filterless modulation

The output modulation scheme of the BTL is called unipolar pulse width modulation (PWM). The differential output voltages change between 0 V and  $+V_{CC}$  and between 0 V and  $-V_{CC}$ . This is in contrast to the traditional bipolar PWM outputs which change between  $+V_{CC}$  and  $-V_{CC}$ .

An advantage of this scheme is that it effectively doubles the switching frequency of the differential output waveform. The OUTP and OUTN are in the same phase when the input is zero, then the switching current is low and the loss in the load is small. In practice, a short delay is introduced between these two outputs in order to avoid the BTL output switching at the same time.

TDA7491MV can be used without a filter before the speaker, because the frequency of the TDA7491MV output is beyond the audio frequency, the audio signal can be recovered by the inherent inductance of the speaker and natural filter of the human ear.

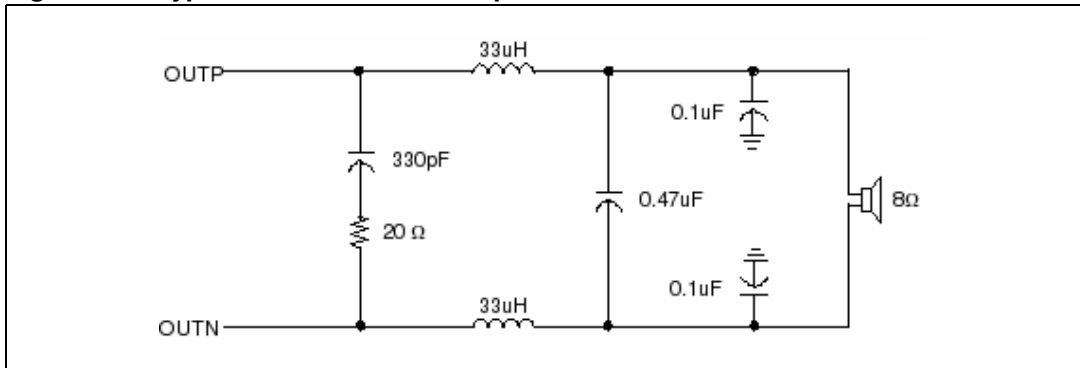
**Figure 23. Unipolar PWM output**



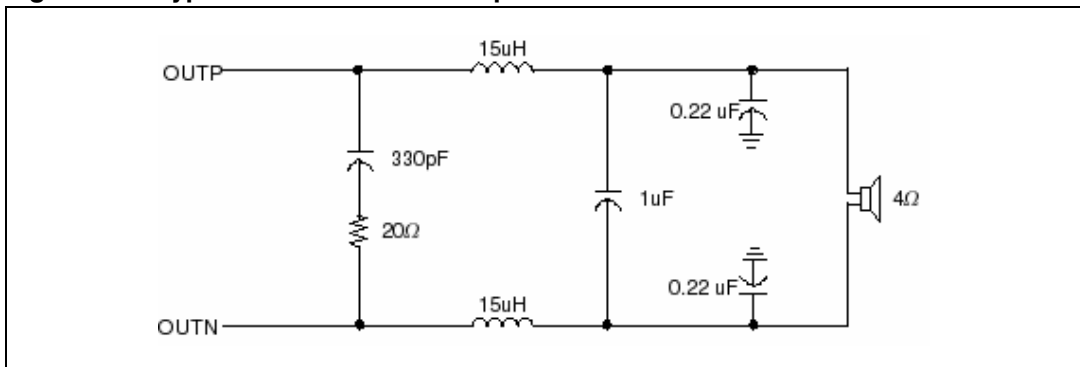
### 7.6 Output low-pass filter

To avoid EMI problems, it may be necessary to use a low-pass filter before the speaker. The cutoff frequency should be larger than 22 kHz and much lower than the output switching frequency. It is necessary to choose the L-C component values depending on the loud speaker impedance. Some typical values, which give a cut-off frequency of 27 kHz, are shown in [Figure 24](#) and [Figure 25](#) below.

**Figure 24. Typical LC filter for a 8-Ω speaker**



**Figure 25. Typical LC filter for a 4-Ω speaker**





## 7.7 Protection function

The TDA7491MV is fully protected against overvoltages, undervoltages, overcurrents and thermal overloads as explained here.

### Overvoltage protection (OVP)

If the supply voltage exceeds the value for  $V_{OVP}$  given in [Table 5: Electrical specifications on page 8](#) the overvoltage protection is activated which forces the outputs to the high-impedance state. When the supply voltage drops to below the threshold value the device restarts.

### Undervoltage protection (UVP)

If the supply voltage drops below the value for  $V_{UVP}$  given in [Table 5: Electrical specifications on page 8](#) the undervoltage protection is activated which forces the outputs to the high-impedance state. When the supply voltage recovers the device restarts.

### Overcurrent protection (OCP)

If the output current exceeds the value for  $I_{OCP}$  given in [Table 5: Electrical specifications on page 8](#) the overcurrent protection is activated which forces the outputs to the high-impedance state. Periodically, the device attempts to restart. If the overcurrent condition is still present then the OCP remains active. The restart time,  $T_{OC}$ , is determined by the R-C components connected to pin STBY.

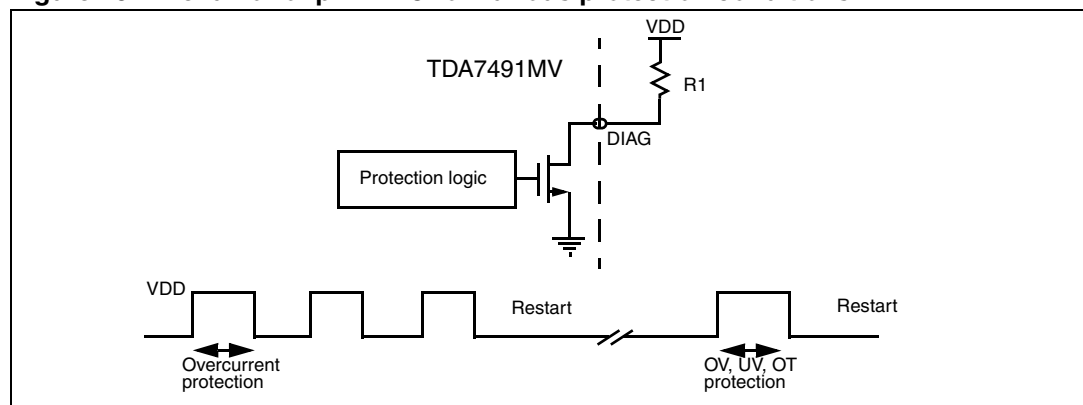
### Thermal protection (OTP)

If the junction temperature,  $T_j$ , reaches 145 °C (nominal), the device goes to mute mode and the positive and negative PWM outputs are forced to 50% duty cycle. If the junction temperature exceeds the value for  $T_j$  given in [Table 5: Electrical specifications on page 8](#) the device shuts down and the output is forced to the high impedance state. When the device cools sufficiently the device restarts.

## 7.8 Diagnostic output

The output pin DIAG is an open drain transistor. When the protection is activated it is in the high-impedance state. The pin can be connected to a power supply (< 18 V) by a pull-up resistor whose value is limited by the maximum sinking current (200  $\mu$ A) of the pin.

**Figure 26. Behavior of pin DIAG for various protection conditions**



### 7.9 Heatsink requirements

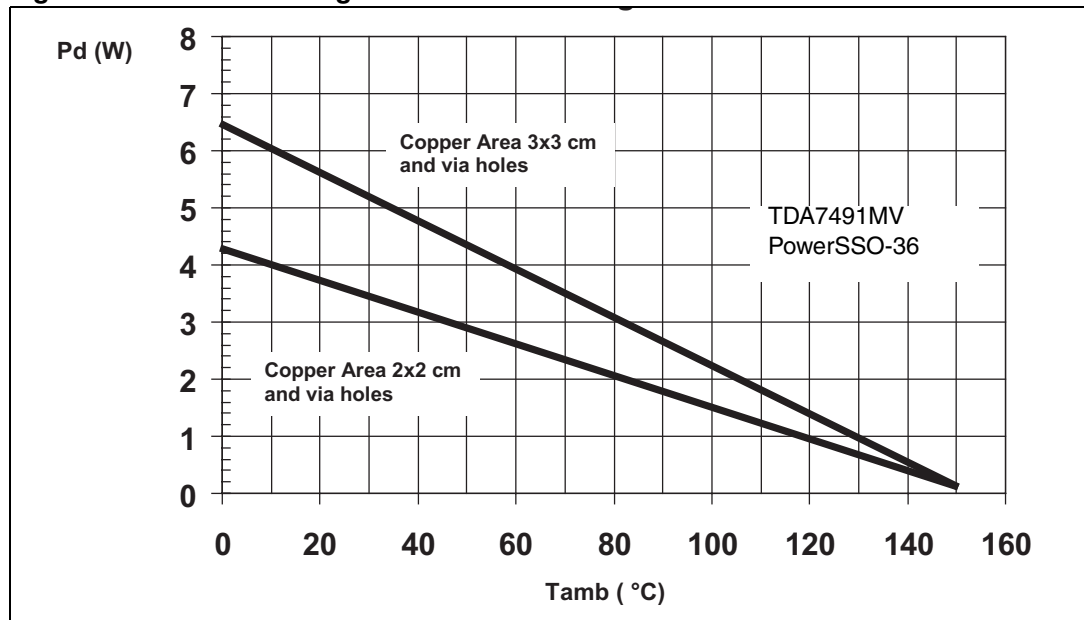
A thermal resistance of 24 °C/W can be obtained using the PCB copper ground layer with 16 vias connecting it to the contact area for the exposed pad. Ensure that the copper ground area is a nominal 9 cm<sup>2</sup> for 24 °C/W.

Figure 27 shows the derating curves for copper areas of 4 cm<sup>2</sup> and 9 cm<sup>2</sup>.

As with most amplifiers, the power dissipated within the device depends primarily on the supply voltage, the load impedance and the output modulation level.

The maximum estimated power dissipation for the TDA7491MV is less than 4 W. When properly mounted on the above PCB the junction temperature could increase by 96 °C. However, with a musical program the dissipated power is about 40% less, leading to a temperature increase of around 60 °C. Even at the maximum recommended ambient temperature for consumer applications of 50 °C there is still a clear safety margin before the maximum junction temperature (150 °C) is reached.

Figure 27. Power derating curves for PCB used as heatsink



## 8 Revision history

**Table 10. Document revision history**

Date	Revision	Changes
21-Oct-2008	1	Initial release.
29-May-2009	2	<p>Updated text concerning oscillator R and C in <a href="#">Section 3.3: Electrical specifications on page 8</a></p> <p>Updated test condition for I<sub>q</sub>, added V<sub>UV<sub>P</sub></sub> updated STBY and MUTE voltages and rectified several anomalies in <a href="#">Table 5: Electrical specifications on page 8</a></p> <p>Updated equation for f<sub>SW</sub> <a href="#">on page 10</a> and <a href="#">on page 22</a></p> <p>Updated <a href="#">Figure 16: Test board (TDA7491HV) layout on page 16</a></p> <p>Updated <a href="#">Figure 17: PowerSSO-36 EPD outline drawing on page 17</a> and <a href="#">Table 6: PowerSSO-36 EPD dimensions on page 18</a></p> <p>Updated <a href="#">Figure 18: Applications circuit for class-D amplifier on page 19</a></p>

**Please Read Carefully:**

Information in this document is provided solely in connection with ST products. STMicroelectronics NV and its subsidiaries ("ST") reserve the right to make changes, corrections, modifications or improvements, to this document, and the products and services described herein at any time, without notice.

All ST products are sold pursuant to ST's terms and conditions of sale.

Purchasers are solely responsible for the choice, selection and use of the ST products and services described herein, and ST assumes no liability whatsoever relating to the choice, selection or use of the ST products and services described herein.

No license, express or implied, by estoppel or otherwise, to any intellectual property rights is granted under this document. If any part of this document refers to any third party products or services it shall not be deemed a license grant by ST for the use of such third party products or services, or any intellectual property contained therein or considered as a warranty covering the use in any manner whatsoever of such third party products or services or any intellectual property contained therein.

**UNLESS OTHERWISE SET FORTH IN ST'S TERMS AND CONDITIONS OF SALE ST DISCLAIMS ANY EXPRESS OR IMPLIED WARRANTY WITH RESPECT TO THE USE AND/OR SALE OF ST PRODUCTS INCLUDING WITHOUT LIMITATION IMPLIED WARRANTIES OF MERCHANTABILITY, FITNESS FOR A PARTICULAR PURPOSE (AND THEIR EQUIVALENTS UNDER THE LAWS OF ANY JURISDICTION), OR INFRINGEMENT OF ANY PATENT, COPYRIGHT OR OTHER INTELLECTUAL PROPERTY RIGHT.**

**UNLESS EXPRESSLY APPROVED IN WRITING BY AN AUTHORIZED ST REPRESENTATIVE, ST PRODUCTS ARE NOT RECOMMENDED, AUTHORIZED OR WARRANTED FOR USE IN MILITARY, AIR CRAFT, SPACE, LIFE SAVING, OR LIFE SUSTAINING APPLICATIONS, NOR IN PRODUCTS OR SYSTEMS WHERE FAILURE OR MALFUNCTION MAY RESULT IN PERSONAL INJURY, DEATH, OR SEVERE PROPERTY OR ENVIRONMENTAL DAMAGE. ST PRODUCTS WHICH ARE NOT SPECIFIED AS "AUTOMOTIVE GRADE" MAY ONLY BE USED IN AUTOMOTIVE APPLICATIONS AT USER'S OWN RISK.**

Resale of ST products with provisions different from the statements and/or technical features set forth in this document shall immediately void any warranty granted by ST for the ST product or service described herein and shall not create or extend in any manner whatsoever, any liability of ST.

ST and the ST logo are trademarks or registered trademarks of ST in various countries.

Information in this document supersedes and replaces all information previously supplied.

The ST logo is a registered trademark of STMicroelectronics. All other names are the property of their respective owners.

© 2009 STMicroelectronics - All rights reserved

STMicroelectronics group of companies

Australia - Belgium - Brazil - Canada - China - Czech Republic - Finland - France - Germany - Hong Kong - India - Israel - Italy - Japan - Malaysia - Malta - Morocco - Philippines - Singapore - Spain - Sweden - Switzerland - United Kingdom - United States of America

[www.st.com](http://www.st.com)