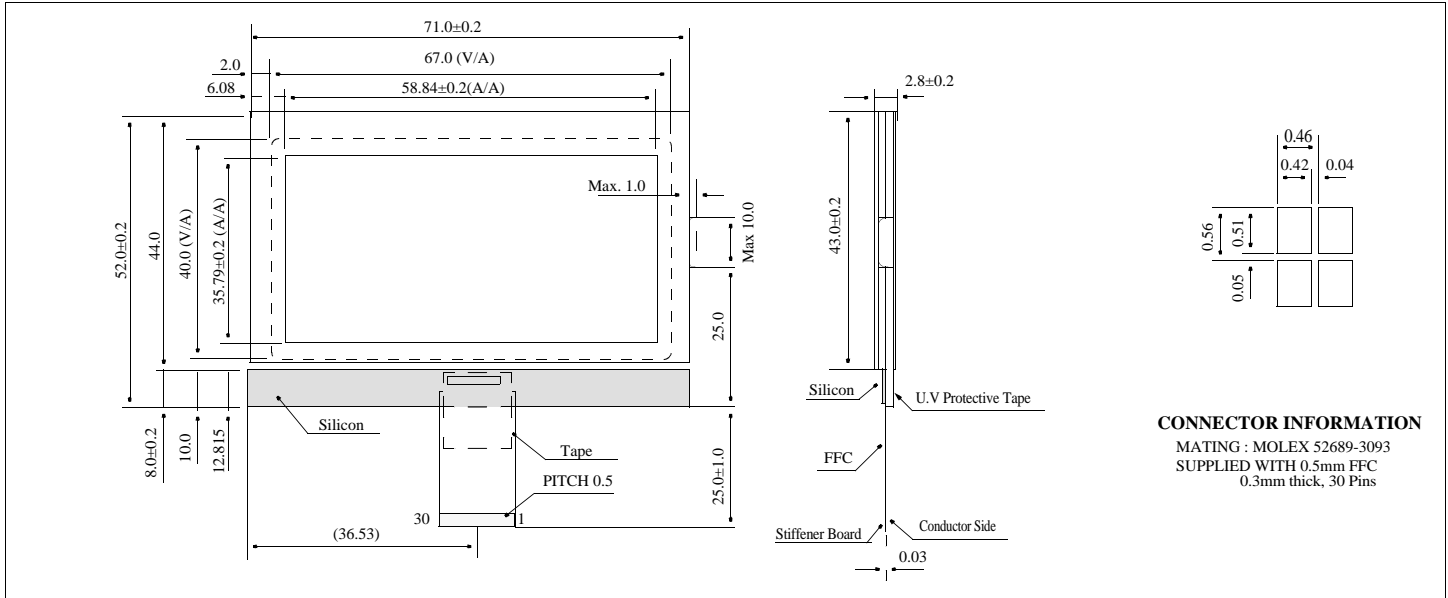


HDG12864F-3

Chip On Glass technology

Dimensional Drawing

128 X 64 Dots Graphic, Parallel Interface



CONNECTOR INFORMATION
 MATING : MOLEX 52689-3093
 SUPPLIED WITH 0.5mm FFC
 0.3mm thick, 30 Pins

Features

Back lightNone
 ConnectionFlat Flex Cable
 Options.....STN/FSTN, Transflective or Reflective Polarizer
 Built-in Controller.....Epson/S-MOS SED1565D0B

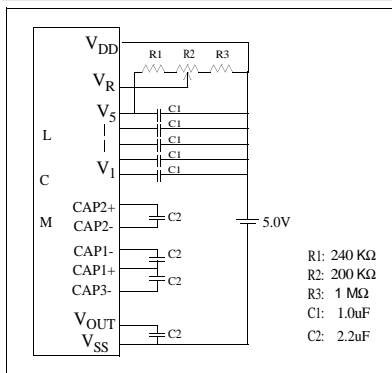
Physical Data

Module Size.....71.0W x 52.0H x 2.8T mm
 Viewing Area Size.....67.0W x 40.0H mm
 Dot Pitch.....0.46W x 0.56H mm
 Dot Size.....0.42W x 0.51H mm
 Weight.....22g

Electrical Characteristics (VDD=5.0±0.25V 25°C)

PARAMETER	SYM	CONDITION	MIN	TYP	MAX	UNIT
POWER SUPPLY VOLT-AGE	V _{DD}	TA=25°C	2.7	3.3	5.5	V
INPUT HIGH VOLTAGE	V _{IH}	-	0.7V _{DD}	-	V _{DD}	V
INPUT LOW VOLTAGE	V _{IL}	-	-0.3	-	0.2V _{DD}	V
POWER SUPPLY FOR LCD	V _{DD} -V _L	TA=25°C	10.5	10.8	11.1	V
POWER SUPPLY CUR-RENT	I _{DD}	V _{DD} =5V	-	1.7	2.6	mA

Power Supply



Absolute Maximum Ratings

PARAMETER	SYMBOL	MIN	MAX	UNIT
SUPPLY VOLTAGE	V _{DD} -V _{SS}	-0.3	5.5	V
SUPPLY VOLTAGE FOR LCD	V _{DD} -V _L	0	16.0	V
INPUT VOLTAGE	V _{IN}	-0.3	V _{DD}	V
OPERATING TEMPERATURE	T _{OP}	0	50	°C
STORAGE TEMPERATURE	T _{STG}	-20	70	°C

Pin Connections

PIN NO.	SYMBOL	FUNCTION
1	V _{DD}	Power supply for Logic
2	RES	Reset Signal
3	A0	Control/Data Select Signal
4	R/W	Signal to select Read or Write
5	E	Enable Clock Input
6 - 13	D0-D7	Data Bus
14	V _{DD}	Power supply for Logic
15	V _{SS}	Ground
16	VOUT #	DC/DC Converter Output
17	CAP3+	DC/DC Voltage Converter capacitors
18	CAP1+	
19	CAP1-	
20	CAP2-	
21	CAP2+	
22 - 26	V1-V5	LCD Driver Supply Voltages
27	VR	Voltage Adjustment Pin
28	V _{DD}	Power supply for Logic
29	IRS	H : Use Internal Resistor L : Not Use Internal Resistor
30	V _{DD}	Power supply for Logic

#Has built-in inverter for negative power supply