

W1G180-AB31-01

# EC diagonal compact fan

sickled blades (S series)



**ebm-papst Mulfingen GmbH & Co. KG**

Bachmühle 2

74673 Mulfingen

Phone: +49 7938 81-0

Fax: +49 7938 81-110

[www.ebmpapst.com](http://www.ebmpapst.com)

[info1@de.ebmpapst.com](mailto:info1@de.ebmpapst.com)

## Nominal data

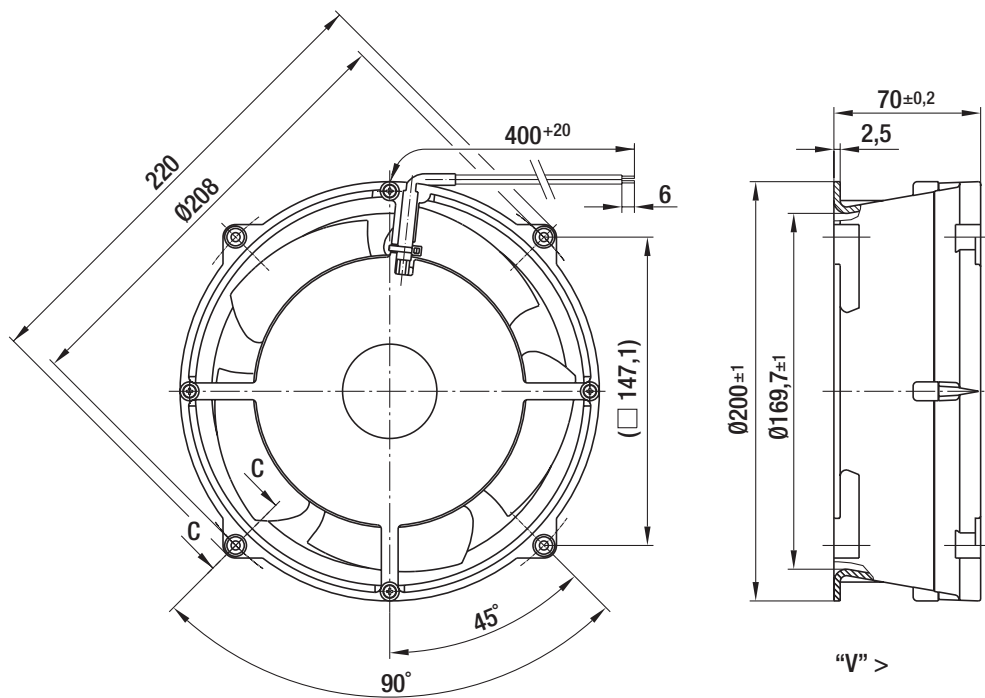
|                          |                      |          |
|--------------------------|----------------------|----------|
| Type                     | W1G180-AB31-01       |          |
| Motor                    | M1G074-BF            |          |
| Nominal voltage          | [VDC]                | 24       |
| Nominal voltage range    | [VDC]                | 16 .. 28 |
| Type of data definition  |                      | rfa      |
| Speed                    | [min <sup>-1</sup> ] | 4550     |
| Power input              | [W]                  | 93       |
| Current draw             | [A]                  | 4.3      |
| Max. ambient temperature | [°C]                 | 60       |
| Air flow                 | [m <sup>3</sup> /h]  | 900      |
| Back pressure            | [Pa]                 | 0        |

ml = max. load · me = max. efficiency · rfa = running at free air · cs = customer specs · cu = customer unit  
Subject to alterations

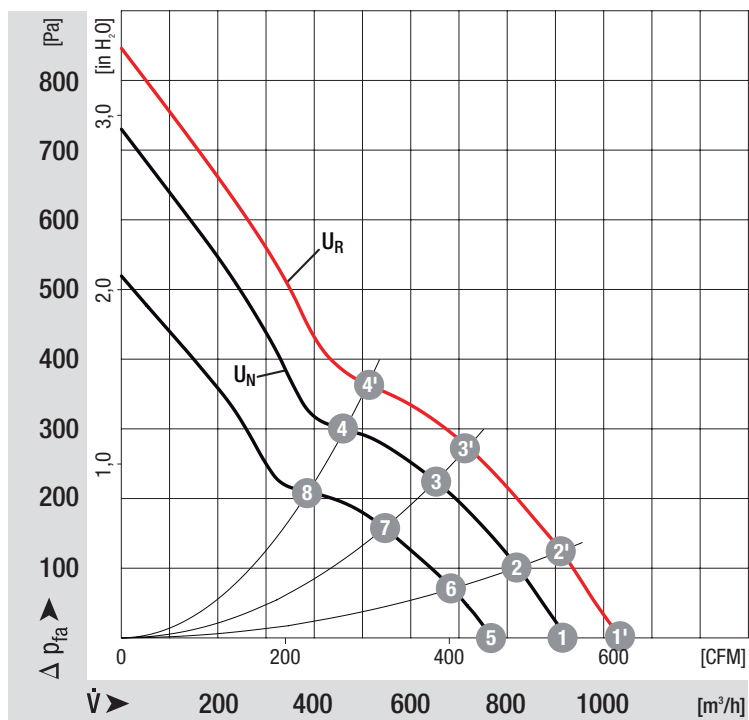
## Technical features

|                              |   |
|------------------------------|---|
| <b>Leakage current</b>       | <= 0,25 mA  |
| <b>Dimensions</b>            | 180 mm  |
| <b>Size</b>                  | 180 mm  |
| <b>Operation mode</b>        | Continuous operation (S1)   |
| <b>Direction of air flow</b> | "V"   |
| <b>Insulation class</b>      | "B"   |
| <b>Cable exit</b>            | Lateral   |
| <b>Bearing-motor</b>         | Ball bearing  |
| <b>Mass</b>                  | 1.8 kg  |
| <b>Housing material</b>      | Die-cast aluminum   |
| <b>Material of impeller</b>  | PA plastic  |
| <b>Motor protection</b>      | Reverse polarity and locked-rotor protection  |
| <b>Type of protection</b>    | IP 20   |
| <b>Protection class</b>      | I   |
| <b>Technical features</b>    | Control input 0-10 VDC / PWM, tach output, polarity and locked rotor protection, soft start |
| <b>Approval</b>              | CSA C22.2 Nr.13; UL 507   |

## Product drawing



## Charts: Air flow



|    | n                    | P <sub>1</sub> | η <sub>TL</sub> |
|----|----------------------|----------------|-----------------|
|    | [min <sup>-1</sup> ] | [W]            | [%]             |
| 1' | 5180                 | 133            |                 |
| 2' | 4970                 | 141            | 70              |
| 3' | 4760                 | 146            | 67              |
| 4' | 5010                 | 140            | 55              |
| 1  | 4600                 | 100            |                 |
| 2  | 4500                 | 106            | 70              |
| 3  | 4340                 | 112            | 67              |
| 4  | 4550                 | 105            | 55              |
| 5  | 3920                 | 60             |                 |
| 6  | 3790                 | 64             | 70              |
| 7  | 3660                 | 68             | 67              |
| 8  | 3790                 | 63             | 55              |