

5118 N

DC axial compact fan



ebm-papst St. Georgen GmbH & Co. KG

Hermann-Papst-Straße 1

74673 St. Georgen

Phone: +49 7724 81-0

Fax: +49 7724 81-1309

www.ebmpapst.com

info2@de.ebmpapst.com

Nominal data

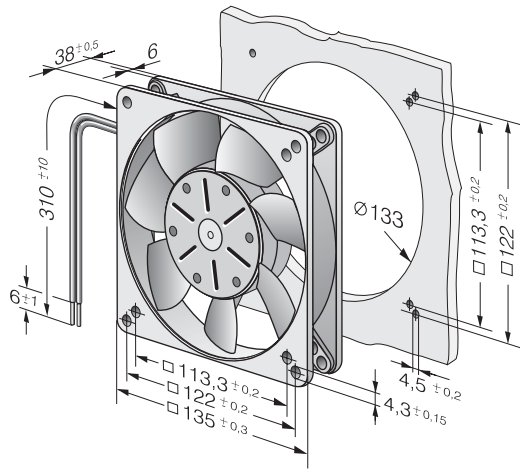
Type	5118 N	
Nominal voltage	[VDC]	48
Speed	[min ⁻¹]	2900
Power input	[W]	9.5
Min. ambient temperature	[°C]	-25
Max. ambient temperature	[°C]	72
Air flow	[m ³ /h]	250
Sound power level	[B]	6.1
Sound pressure level	[dB(A)]	48

ml = max. load · me = max. efficiency · rfa = running at free air · cs = customer specs · cu = customer unit
Subject to alterations

Technical features

Dimensions	135 x 135 x 38 mm
General description	Electronic commutation completely integrated.
Connection line	Single strands AWG 22, TR 64, bared and tin-plated.
Locked-rotor protection	Electronic blocking protection
Direction of protection	Left, looking at rotor
Direction of air flow	Air exhaust over bars
Bearing	Ball bearings
Lifetime L10 at 40 °C	80000 h
Lifetime L10 at maximum temperature	37500 h
Mass	0.650 kg
Material of impeller	Aluminum
Motor protection	Protected against reverse polarity and locking.
Option	Speed signal
Approval	CE

Product drawing



Charts: Air flow

