

**ebm-papst St. Georgen GmbH & Co. KG**

Hermann-Papst-Straße 1

74673 St. Georgen

Phone: +49 7724 81-0

Fax: +49 7724 81-1309

www.ebmpapst.com

info2@de.ebmpapst.com

Nominal data

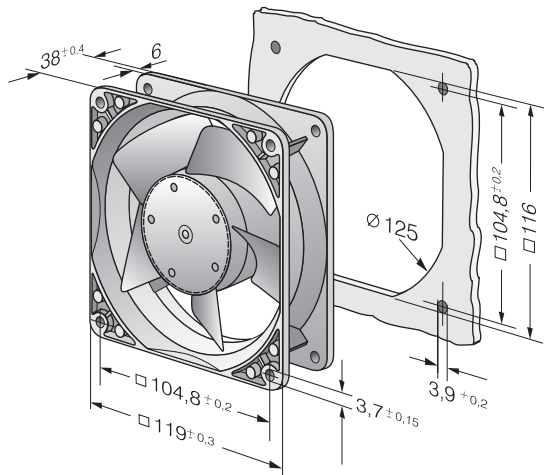
Type	4184 NGX	
Nominal voltage	[VDC]	24
Speed	[min ⁻¹]	2800
Power input	[W]	3.5
Min. ambient temperature	[°C]	-10
Max. ambient temperature	[°C]	75
Air flow	[m ³ /h]	160
Sound power level	[B]	5.3
Sound pressure level	[dB(A)]	44

ml = max. load · me = max. efficiency · rfa = running at free air · cs = customer specs · cu = customer unit
Subject to alterations

Technical features

Dimensions	119 x 119 x 38 mm
General description	Very rigid compression curve for high air flow at high counterpressure. Low operating noise level at high counterpressure. Optional Vario-Pro: Highly flexible software configuration for the fan ensures an easily customizable solution to meet the individual requirements of your application. Electronic commutation completely integrated.
Connection line	Flat plugs 2.8 x 0.5 mm. Optionally also available with strands.
Locked-rotor protection	Blocking and overload protection
Direction of protection	Counterclockwise, looking at rotor
Direction of air flow	Inlet over bars
Bearing	Sintec sleeve bearing
Lifetime L10 at 40 °C	85000 h
Lifetime L10 at maximum temperature	37500 h
Mass	0.390 kg
Material of impeller	Fiberglass-reinforced PA plastic
Motor protection	Protected against reverse polarity and locking.
Option	Speed signal
Approval	VDE, CSA, UL, CE

Product drawing



Charts: Air flow

