



FEATURES:

- Power modules for PCB mounting
- Six-sided continuous shield
- 4:1 wide input range
- High efficiency up to 83%
- Standard package
- Pin compatible with multiple manufacturers

Models Single output

Model	Input Voltage (VDC)	Output Voltage (V)	Output Current max (A)	Isolation (VDC)	Efficiency (%)
AM30KW-2401S-CZ	10-40	1.8	6	1500	78
AM30KW-2402S-CZ	10-40	2.5	6	1500	80
AM30KW-2403S-CZ	10-40	3.3	6	1500	81
AM30KW-2405S-CZ	10-40	5	6	1500	82
AM30KW-2412S-CZ	10-40	12	2.5	1500	83
AM30KW-2415S-CZ	10-40	15	2	1500	83
AM30KW-2424S-CZ	10-40	24	1.25	1500	83
<hr/>					
AM30KW-4801S-CZ	18-75	1.8	6	1500	78
AM30KW-4802S-CZ	18-75	2.5	6	1500	80
AM30KW-4803S-CZ	18-75	3.3	6	1500	81
AM30KW-4805S-CZ	18-75	5	6	1500	82
AM30KW-4812S-CZ	18-75	12	2.5	1500	83
AM30KW-4815S-CZ	18-75	15	2	1500	83
AM30KW-4824S-CZ	18-75	24	1.25	1500	83

Models Dual output

Model	Input Voltage (V)	Output Voltage (V)	Output Current max (A)	Isolation (VDC)	Efficiency (%)
AM30KW-2405D-CZ	10-40	±5	3	1500	81
AM30KW-2412D-CZ	10-40	±12	1.25	1500	81
AM30KW-2415D-CZ	10-40	±15	1	1500	81
<hr/>					
AM30KW-4805D-CZ	18-75	±5	3	1500	83
AM30KW-4812D-CZ	18-75	±12	1.25	1500	81
AM30KW-4815D-CZ	18-75	±15	1	1500	81

Input Specifications

Parameters	Conditions	Typical	Maximum	Units
Voltage range		24, 10~40 48, 18~75		VDC
Filter		π, (Pi) Network		

Isolation Specifications

Parameters	Conditions	Typical	Maximum	Units
Rated voltage		1500		VDC
Resistance		>100		MOhm
Capacitance		1000		pF

Output Specifications

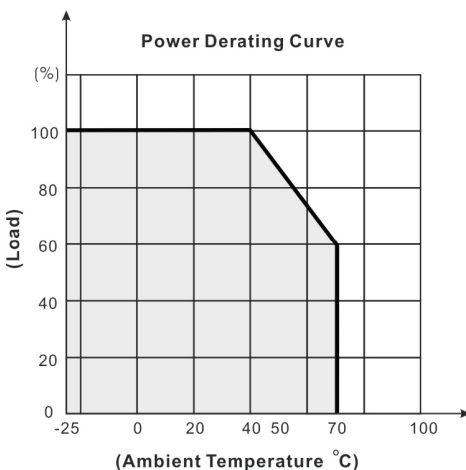
Parameters	Conditions	Typical	Maximum	Units
Voltage accuracy			±2	%
Over voltage protection		Zener diode clamp protection		
Over current protection	Auto recovery	Works over 120% of rating		
Short Circuit protection	Auto recovery	Hiccup		
Line voltage regulation (Single)	(HL-LL)	±0.5		%
Load voltage regulation (Single)	(10-100%)	±1		%
Temperature coefficient		±0.02		%/°C
Output voltage trimming		±10		%
Ripple	Outputs: 1.8 – 5 V		100	mV p-p
	Outputs: 12 – 24V		±1	%
Noise	Outputs: 1.8 – 5 V		100	mV p-p
	Outputs: 12 – 24V		±1	%

General Specifications

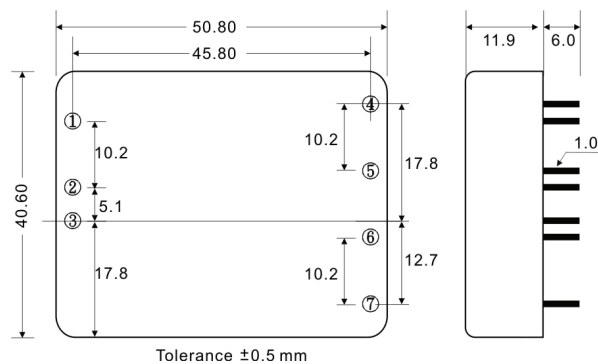
Parameters	Conditions	Typical	Maximum	Units
Switching frequency	100% load	350		KHz
Operating temperature	With derating above 40°C	-25 ~ +70		°C
Storage temperature		-55 ~ +105		°C
Case temperature			+100	°C
Cooling	Free-air convection			
Humidity	Non condensing		95	%
Case material	Nickel-Coated Copper with non-conductive base, six sides' shielded			
Weight		58		g
Dimensions	Tolerance ±0.5mm	2.0 x 1.6 x 0.47 inches	50.8 x 40.6 x 11.9 mm	
MTBF	>550 000 hrs (MIL-HDBK-217F, Ground Benign, t=+25 °C)			

Pin Out Specifications

Pin	Single	Dual
1	On/Off	On/Off
2	+V Input	+V Input
3	-V Input	-V Input
4	Trim	Trim
5	-V Output	-V Output
6	+V Output	Common
7	No Pin	+V Output



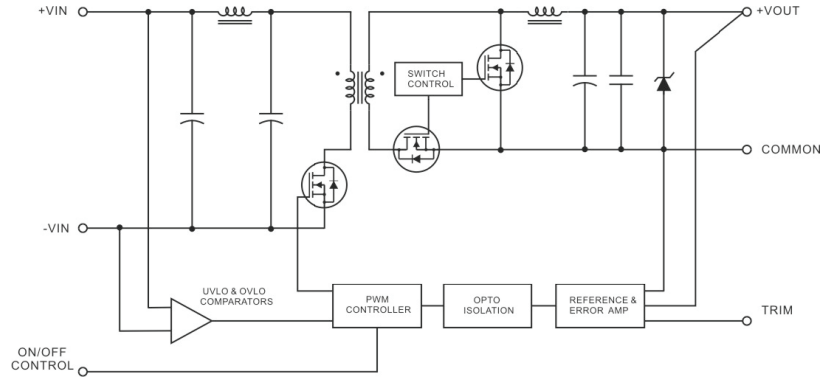
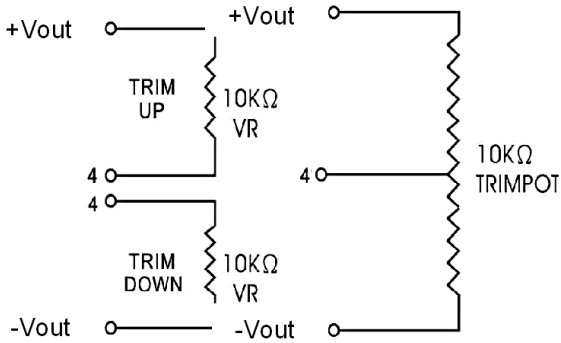
Dimensions (Top View)



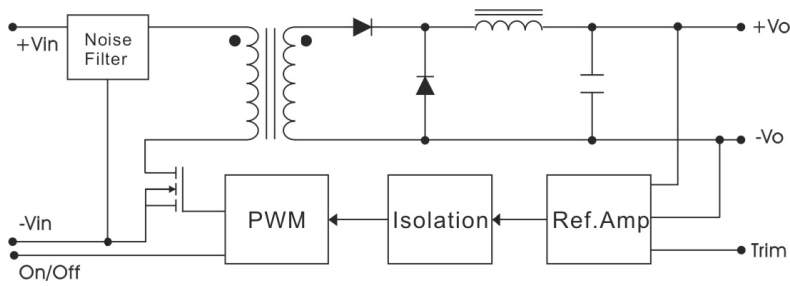
Trimming

Block diagrams

Single outputs - 1.8V, 2.5V, 3.3V, 5V



Single outputs – 12V, 15V, 24V



Dual outputs

